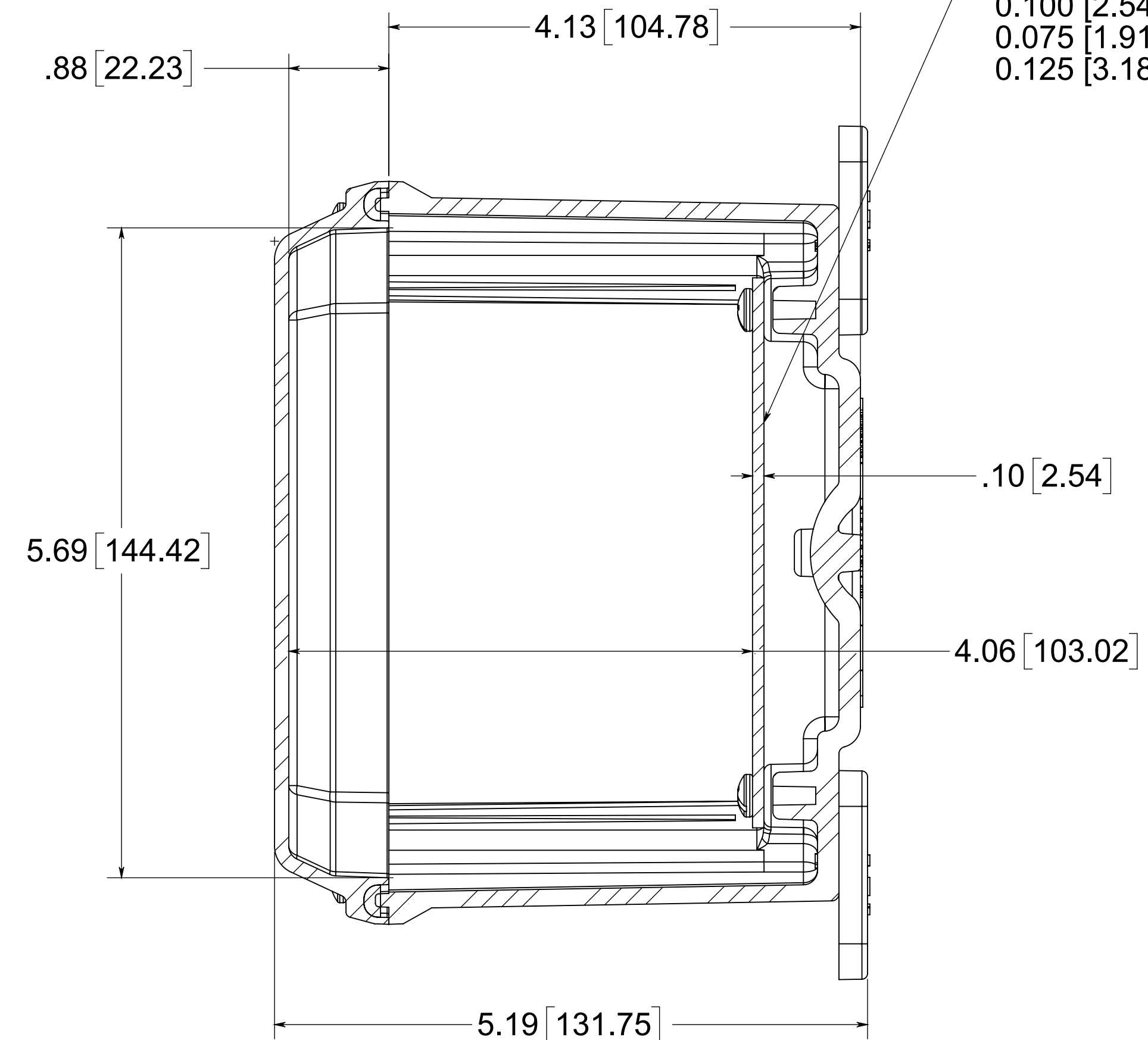
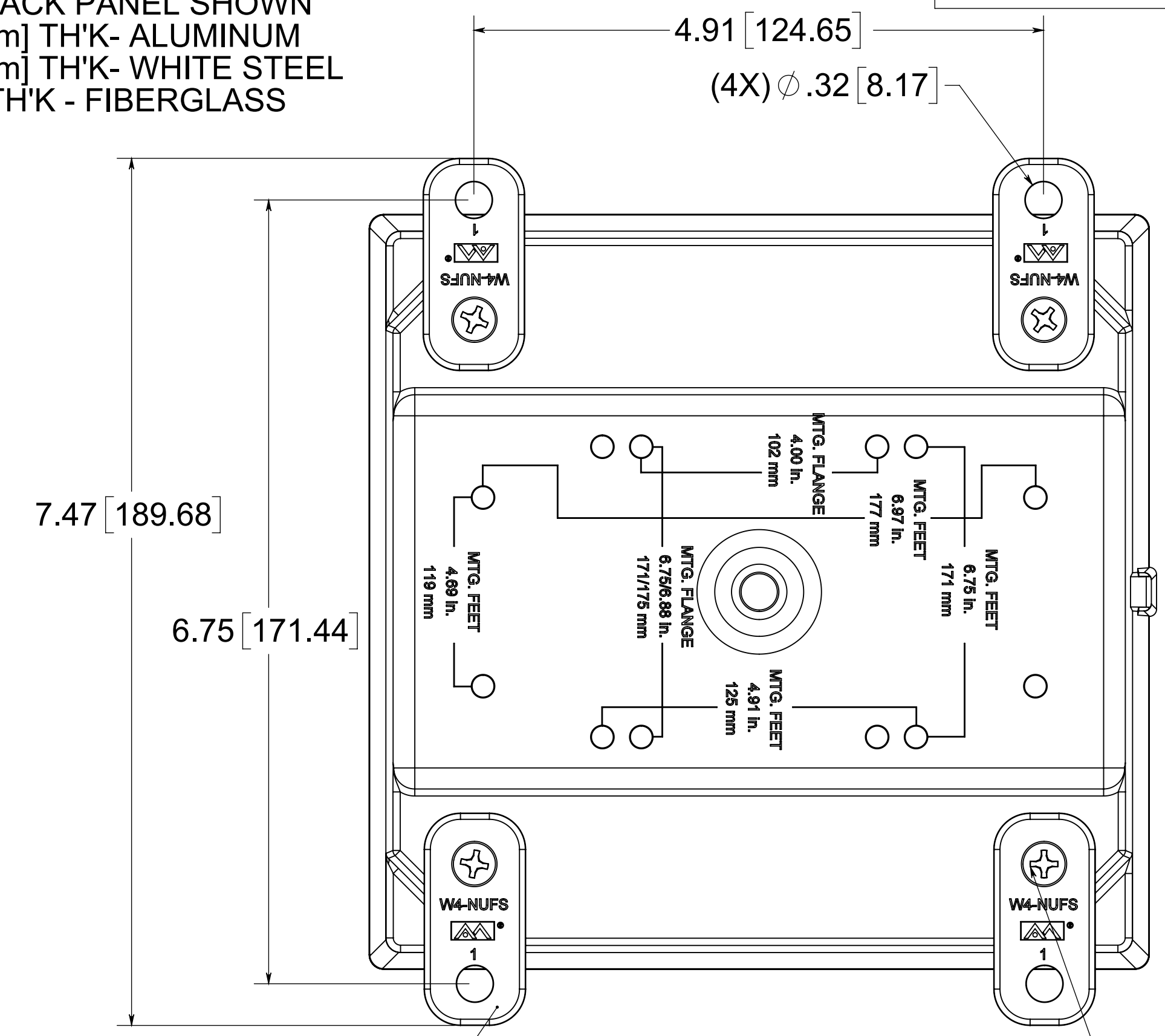


(4) EACH #10-32 BRASS INSERTS AND 316 STAINLESS STEEL CAPTIVE COVER SCREWS



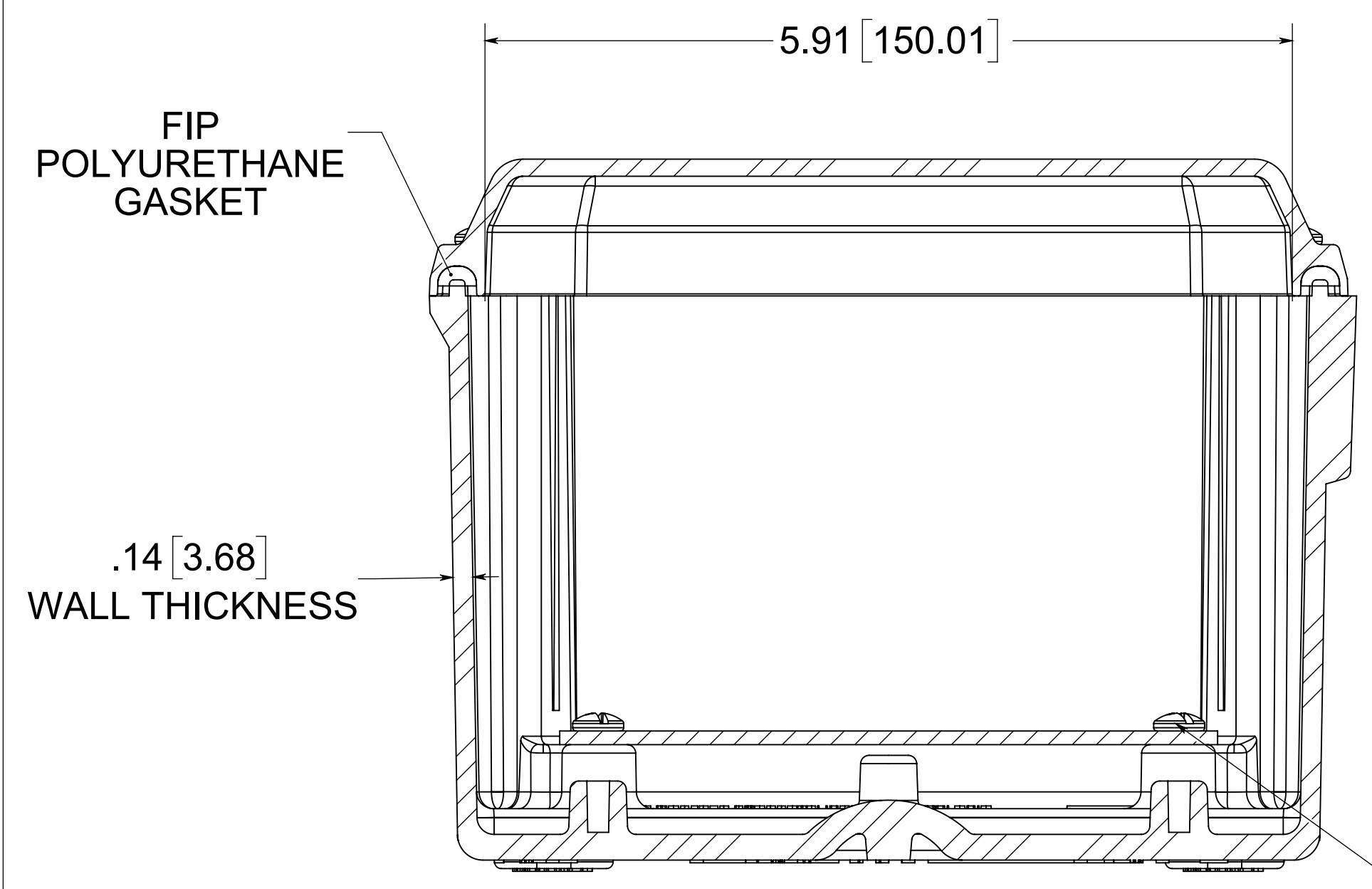
SECTION A-A

OPTIONAL BACK PANEL SHOWN
 0.100 [2.54mm] TH'K - ALUMINUM
 0.075 [1.91mm] TH'K - WHITE STEEL
 0.125 [3.18] TH'K - FIBERGLASS



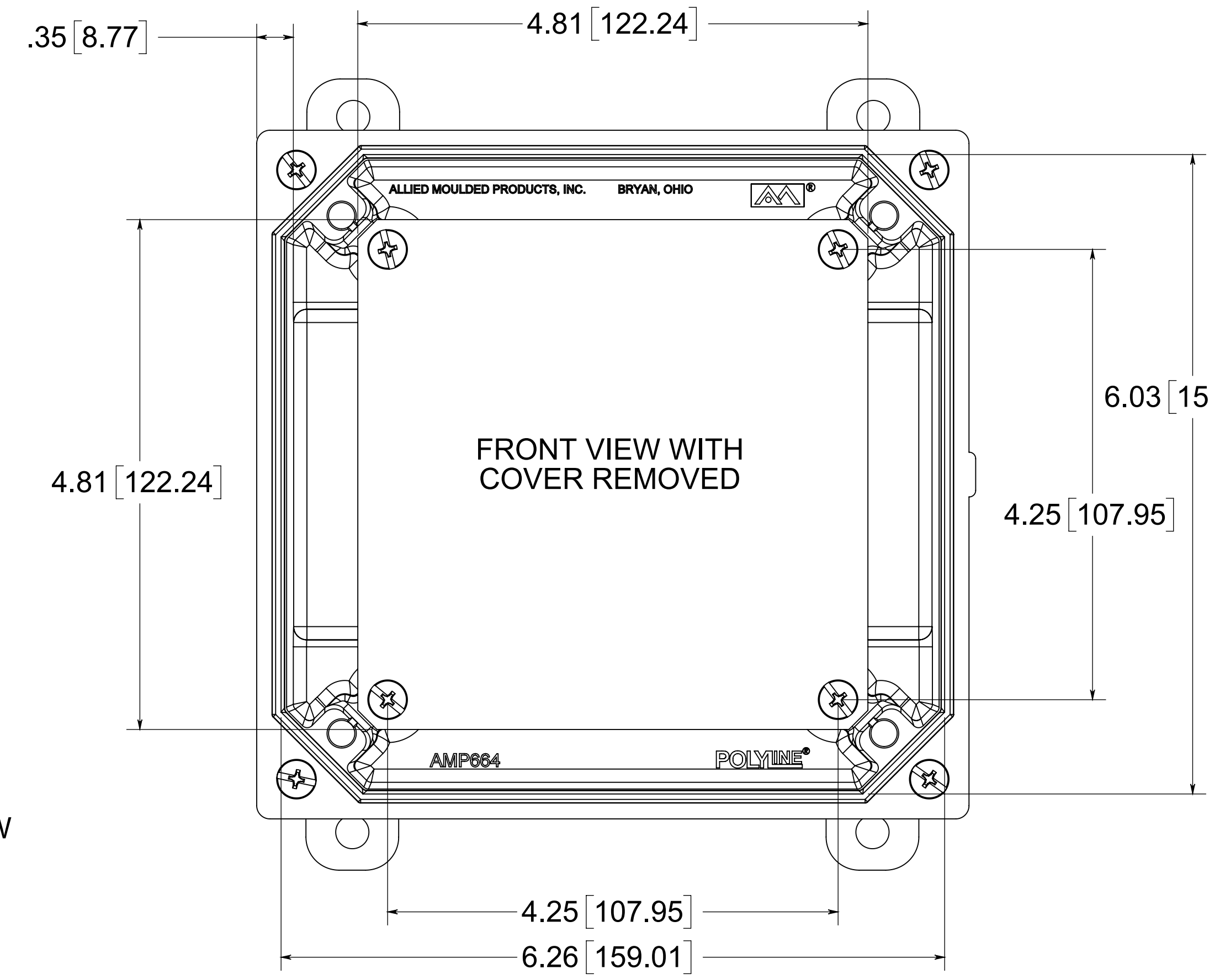
(4) POLYCARBONATE FEET

(4) EACH #10-32 BRASS INSERTS, AND 316 STAINLESS STEEL FLANGE AND FEET SCREWS



SECTION B-B

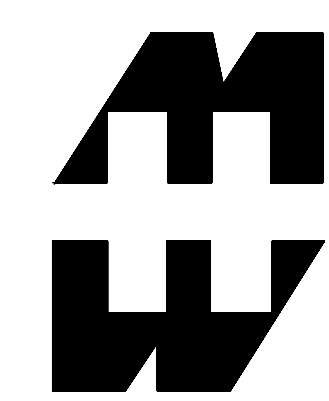
(4) EACH #10-32 BRASS INSERTS AND PLATED CARBON STEEL TRUSS SCREW



FRONT VIEW WITH COVER REMOVED

NOTE:
 1. DATA SUBJECT TO CHANGE WITHOUT NOTICE

MATERIAL:
 BOX- INJECTED POLYCARBONATE
 STANDARD COVER- INJECTED POLYCARBONATE
 CLEAR COVER - INJECTED POLYCARBONATE



PART No. PCJ664.WEB

for more information visit
www.hammfg.com
 Data subject to change without notice
 Drawing Not to Scale