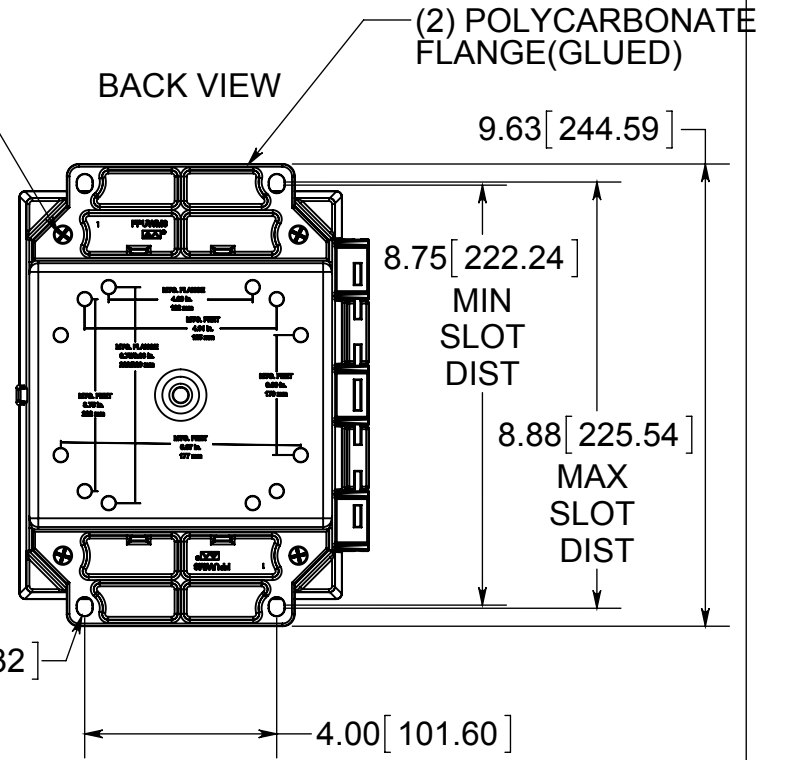


OPTIONAL BACK PANEL SHOWN
 0.100 [2.54mm] TH'K- ALUMINUM
 0.075 [1.91mm] TH'K- WHITE STEEL

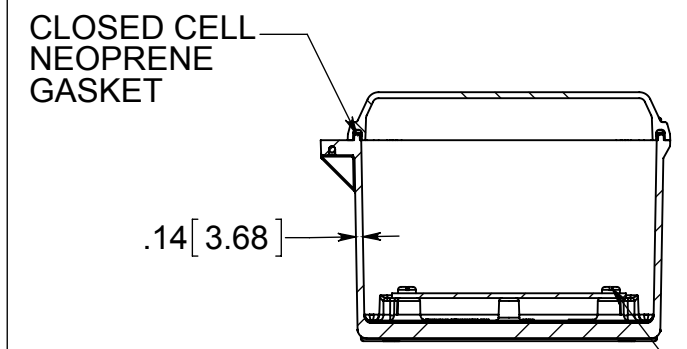
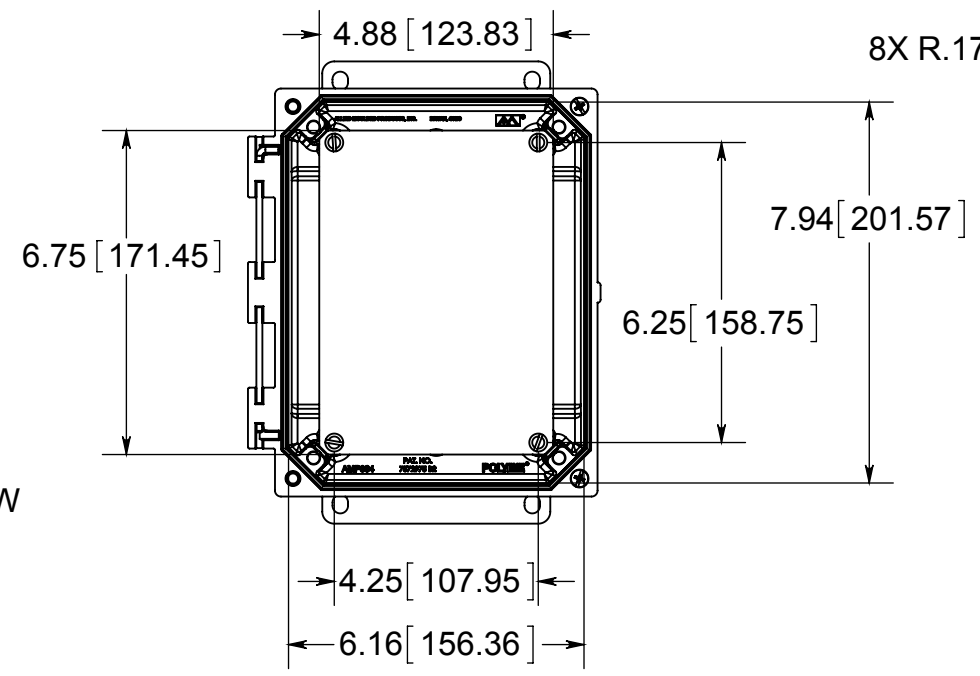
(4) EACH #10-32 BRASS
 INSERTS, AND STAINLESS
 STEEL FLANGE AND
 FEET SCREWS



STAINLESS STEEL
 HINGE PIN

(2) EACH #10-32 BRASS INSERTS
 AND STAINLESS STEEL
 CAPTIVE COVER SCREWS

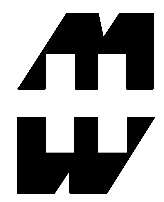
FRONT VIEW
 WITH COVER REMOVED
 AND BACK PANEL DISPLAYED



CLOSED CELL
 NEOPRENE
 GASKET

(4) EACH #10-32 BRASS
 INSERTS AND PLATED
 CARBON STEEL TRUSS SCREW

MATERIAL:
 BOX- INJECTED POLYCARBONATE
 STANDARD COVER- INJECTED POLYCARBONATE
 CLEAR COVER - INJECTED POLYCARBONATE



PART No. PCJ864CCHF

for more information visit
www.hammfg.com
 Data subject to change without notice
 Drawing Not to Scale