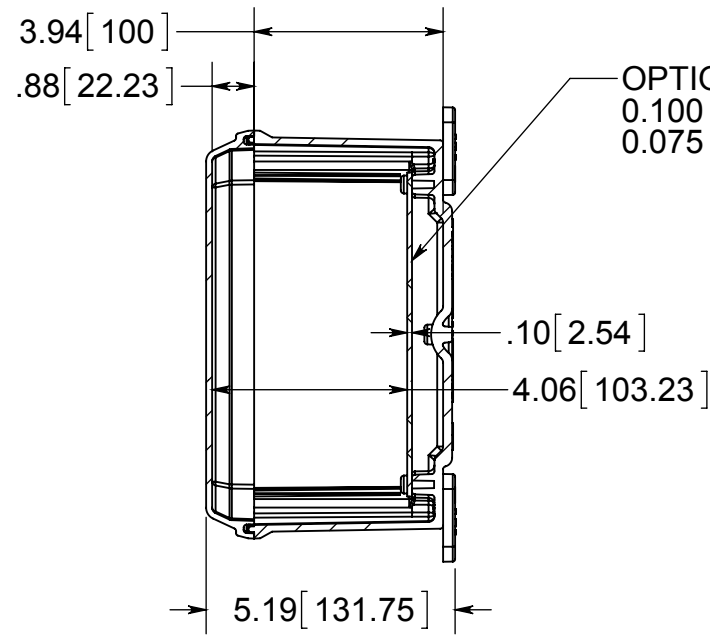


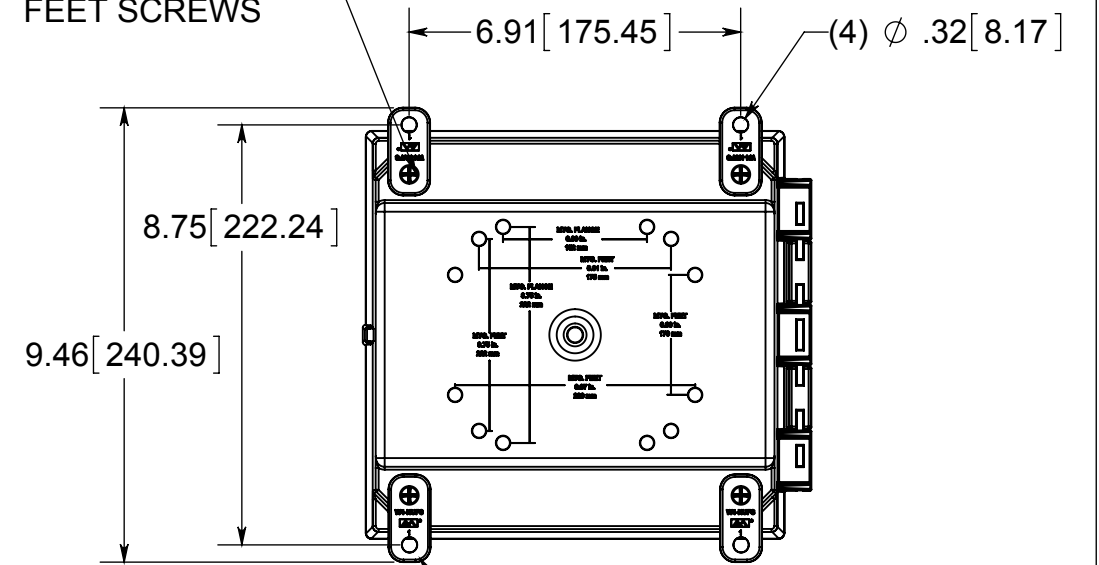
STAINLESS STEEL HINGE PIN

(2) EACH #10-32 BRASS INSERTS AND STAINLESS STEEL CAPTIVE COVER SCREWS



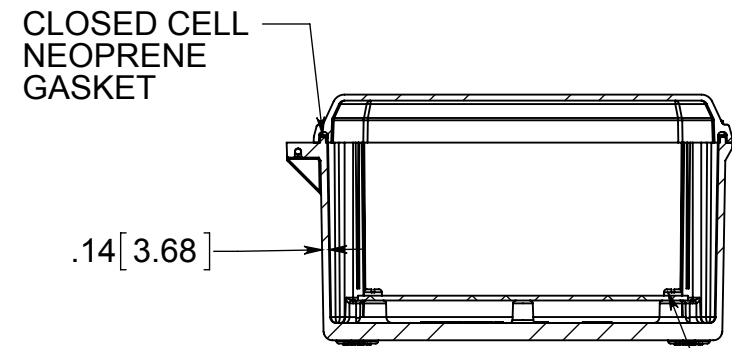
OPTIONAL BACK PANEL SHOWN
0.100 [2.54mm] TH'K-ALUMINUM
0.075 [1.91mm] TH'K-WHITE STEEL

(4) EACH #10-32 BRASS INSERTS, AND STAINLESS STEEL FLANGE AND FEET SCREWS



FRONT VIEW WITH COVER REMOVED AND BACK PANEL DISPLAYED

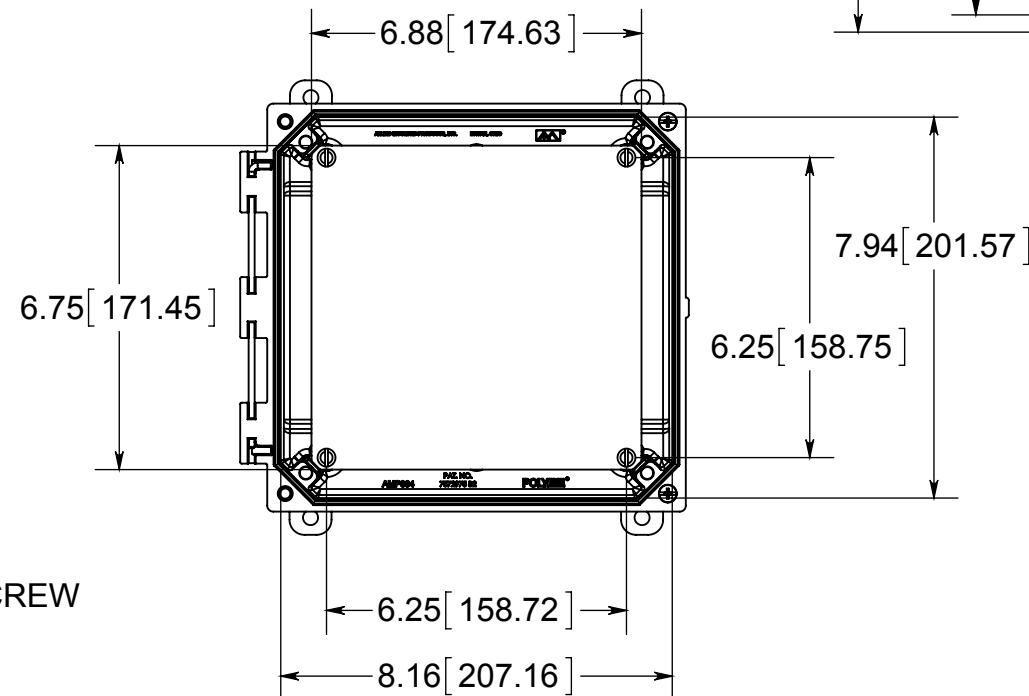
(4) POLYCARBONATE FEET



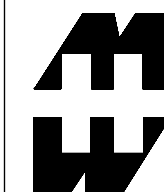
CLOSED CELL NEOPRENE GASKET

.14 [3.68]

(4) EACH #10-32 BRASS INSERTS AND PLATED CARBON STEEL TRUSS SCREW



MATERIAL:
BOX - INJECTED POLYCARBONATE
STANDARD COVER - INJECTED POLYCARBONATE
CLEAR COVER - INJECTED POLYCARBONATE



PART No. PCJ884CCH

for more information visit
www.hammfg.com
Data subject to change without notice
Drawing Not to Scale