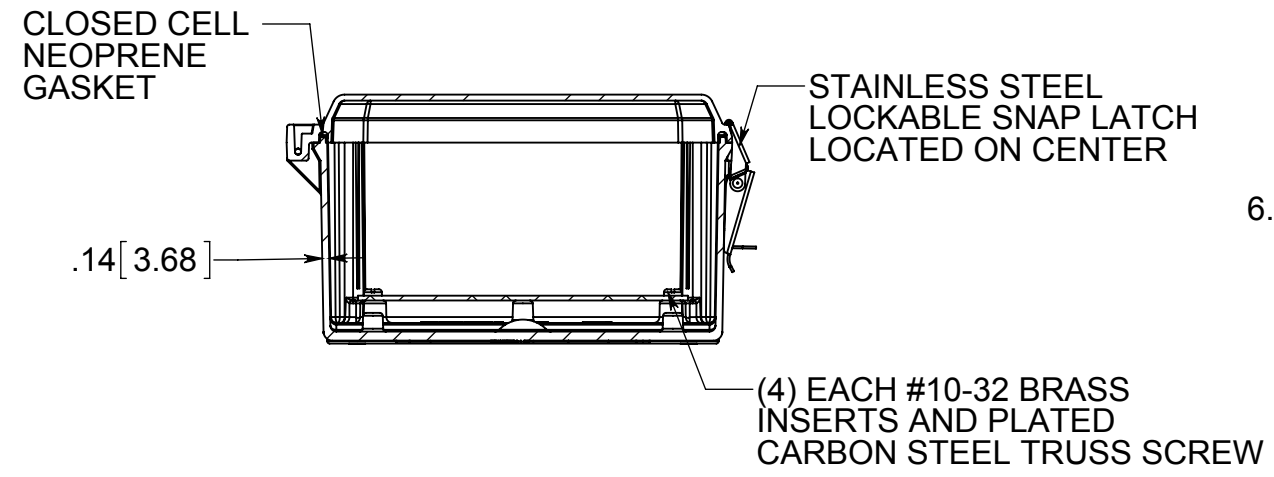
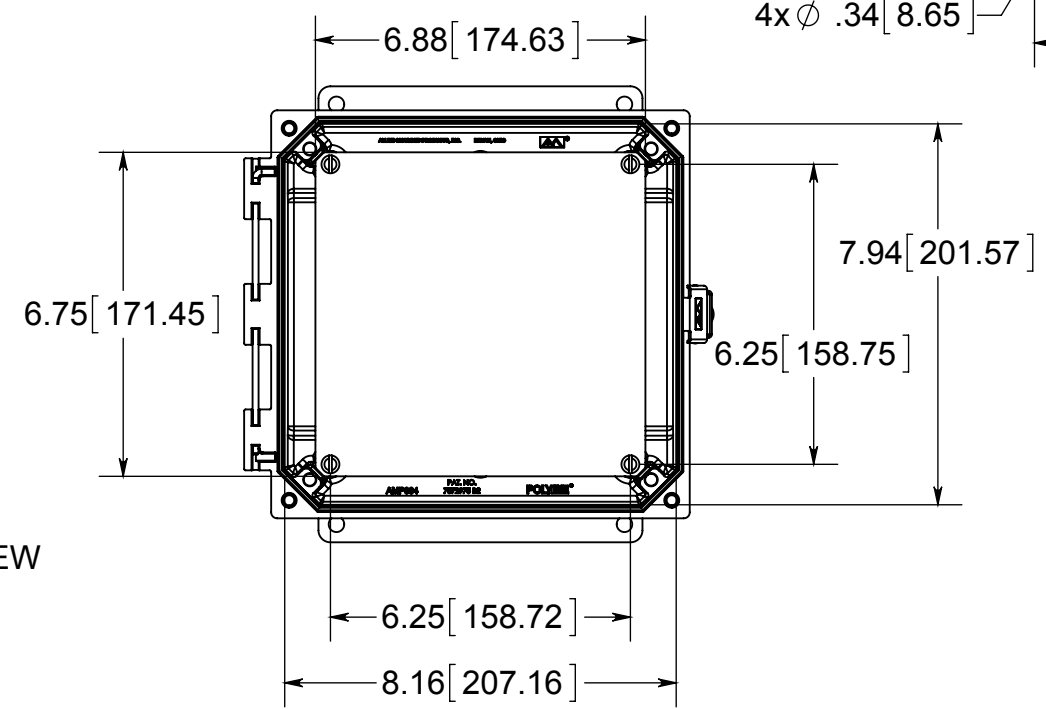
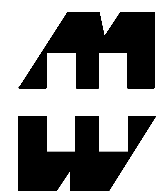


FRONT VIEW WITH COVER REMOVED AND BACK PANEL DISPLAYED



MATERIAL:  
 BOX - INJECTED POLYCARBONATE  
 STANDARD COVER - INJECTED POLYCARBONATE  
 CLEAR COVER - INJECTED POLYCARBONATE



PART No. PCJ884CCLF

for more information visit  
[www.hammfg.com](http://www.hammfg.com)  
 Data subject to change without notice  
 Drawing Not to Scale