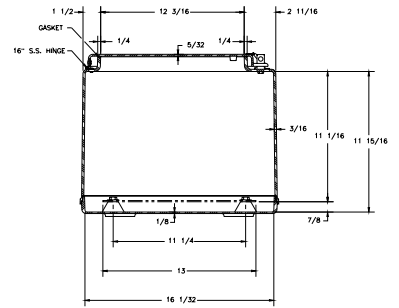
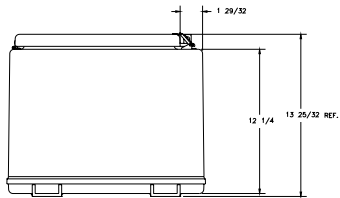


SECTION B-B



SECTION A-A

NOTES		NEMA 4X		TOLERANCES	
		COLOR: GLACIER GRAY RR1013		UNLESS SPECIFIED	
				DECIMAL: ± 0.10	
				FRACTIONAL: ± 1/32	
MATERIAL	F.R. POLYESTER FIBERGLASS	DR. BY	DATE	CHK. BY	DATE
LET.	REVISION RECORD	DATE	BY	CHK. BY	DATE
		APP. BY	DATE	CUSTOMER	APPRO. DRG. FILE
		SCALE	PART NAME	PART NO.	
		DO NOT SCALE	ENCLOSURE		PH08201612