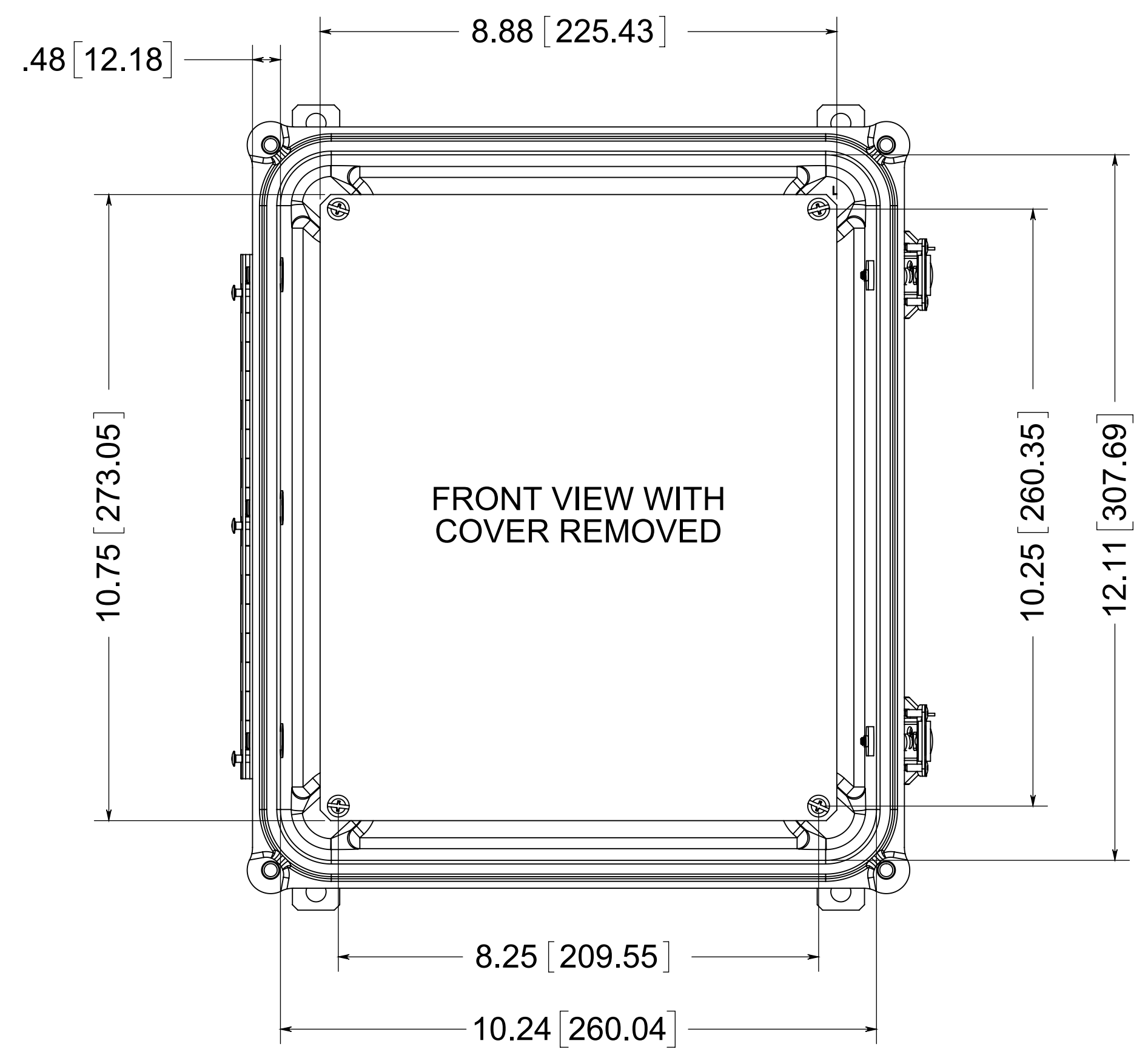
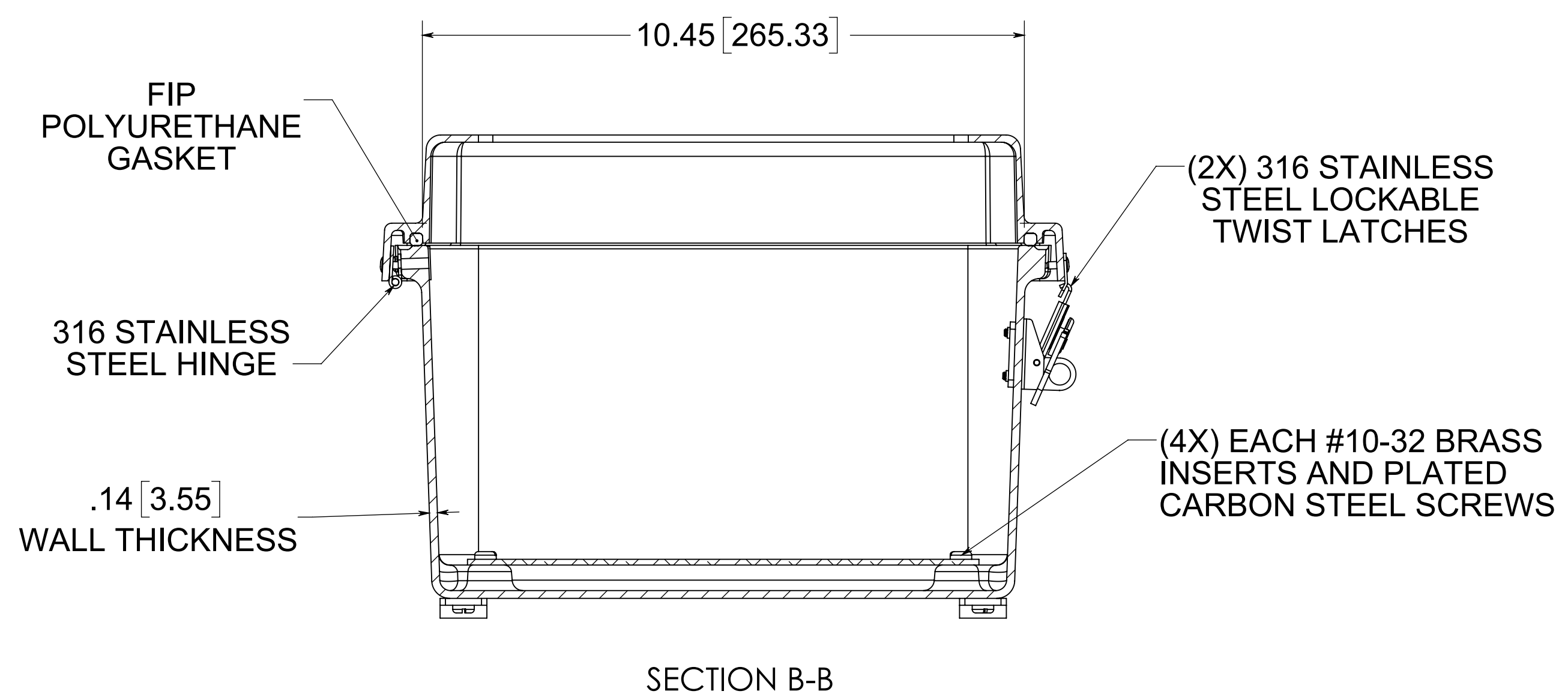
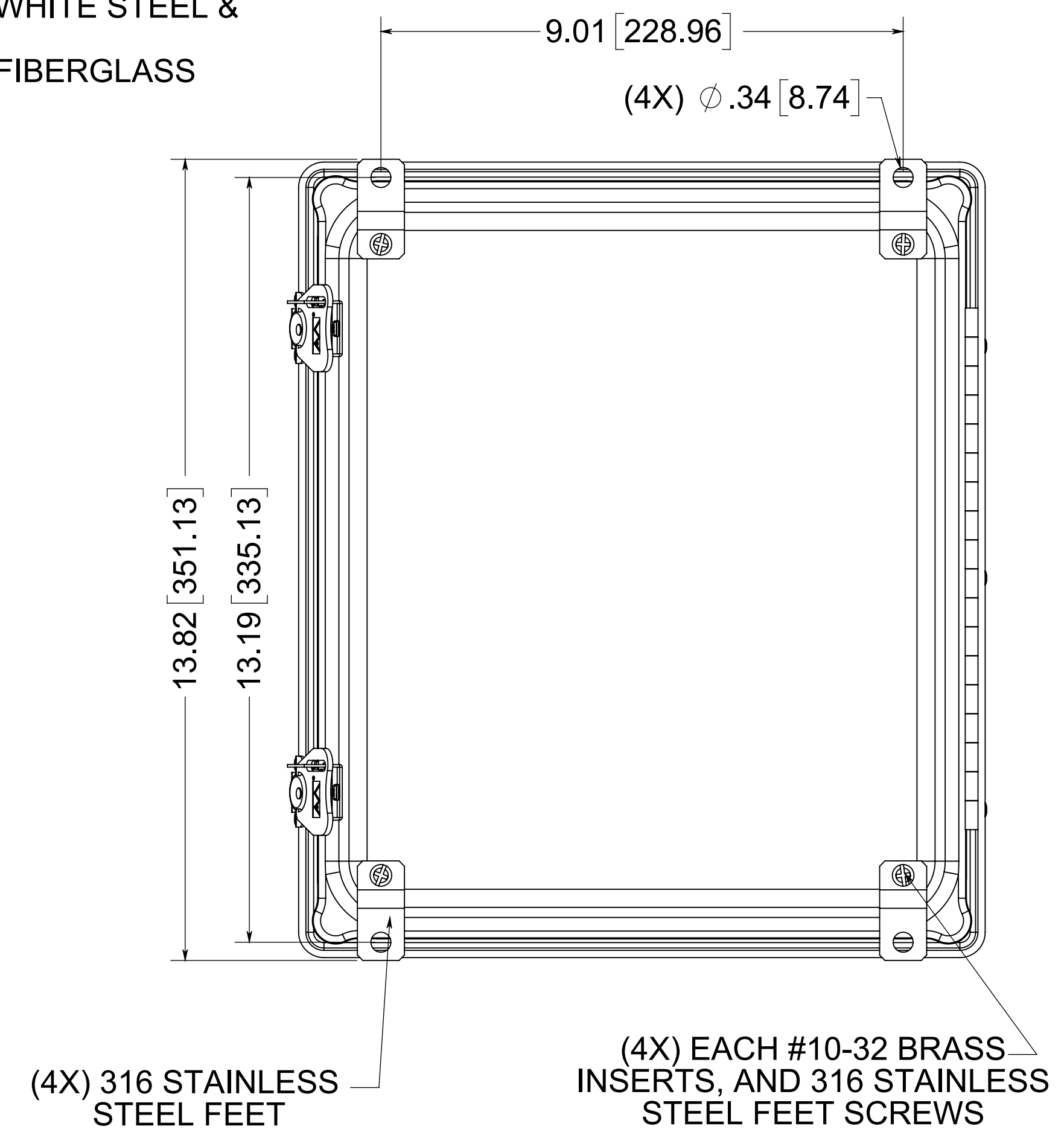


OPTIONAL BACK PANEL
0.100 [2.54] TH'K- ALUMINUM
0.075 [1.91] TH'K- WHITE STEEL &
GALVANNEALED
0.125 [3.18] TH'K- FIBERGLASS



MATERIAL
BOX- COMPRESSION MOLDED FIBERGLASS REINFORCED POLYESTER
COVER- COMPRESSION MOLDED FIBERGLASS REINFORCED POLYESTER
WINDOWS- POLYCARBONATE

NOTES:
1. DATA SUBJECT TO CHANGE WITHOUT NOTICE

PART No. PJ12106RTW
for more information visit
www.hammfg.com
Data subject to change without notice
Drawing Not to Scale