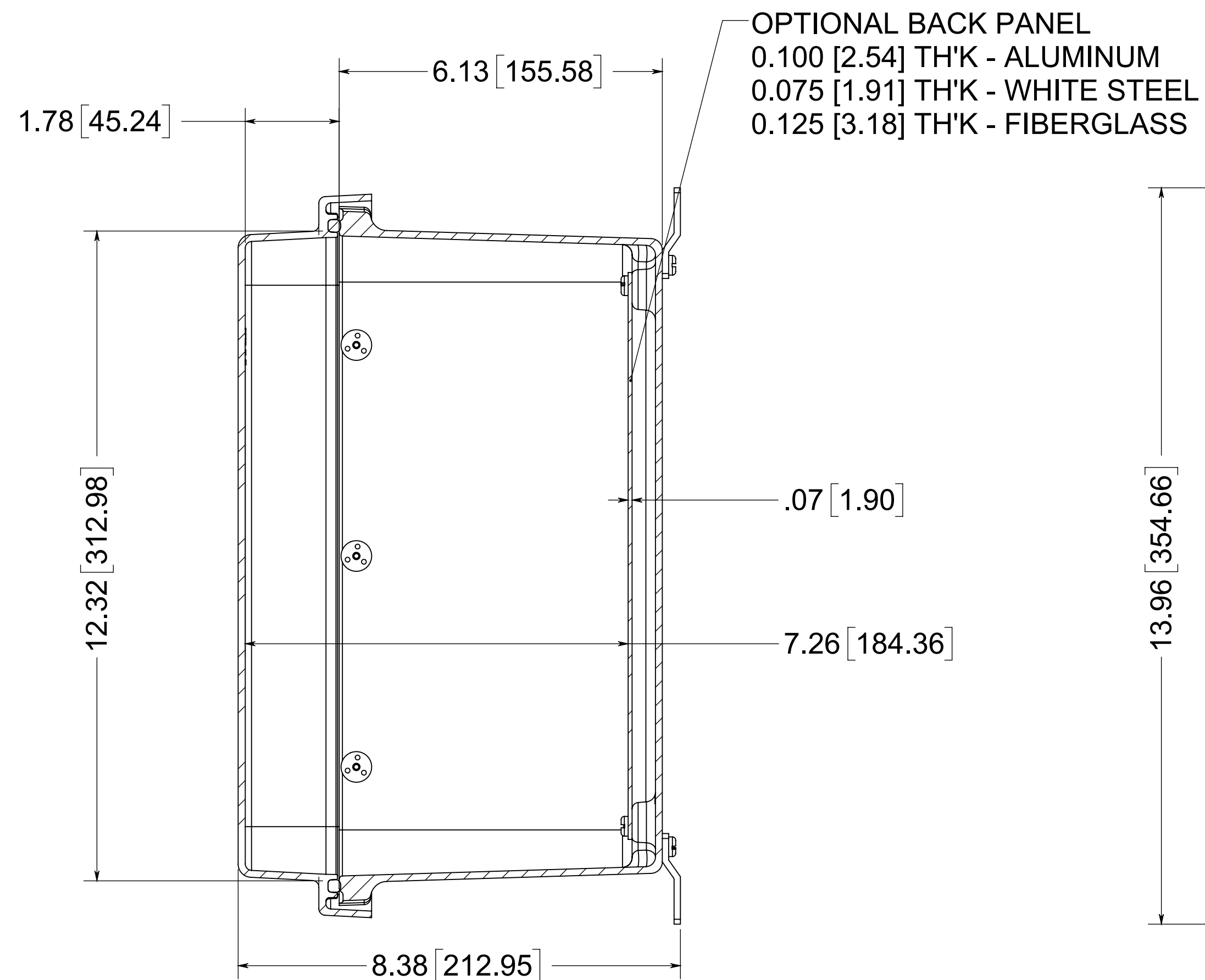
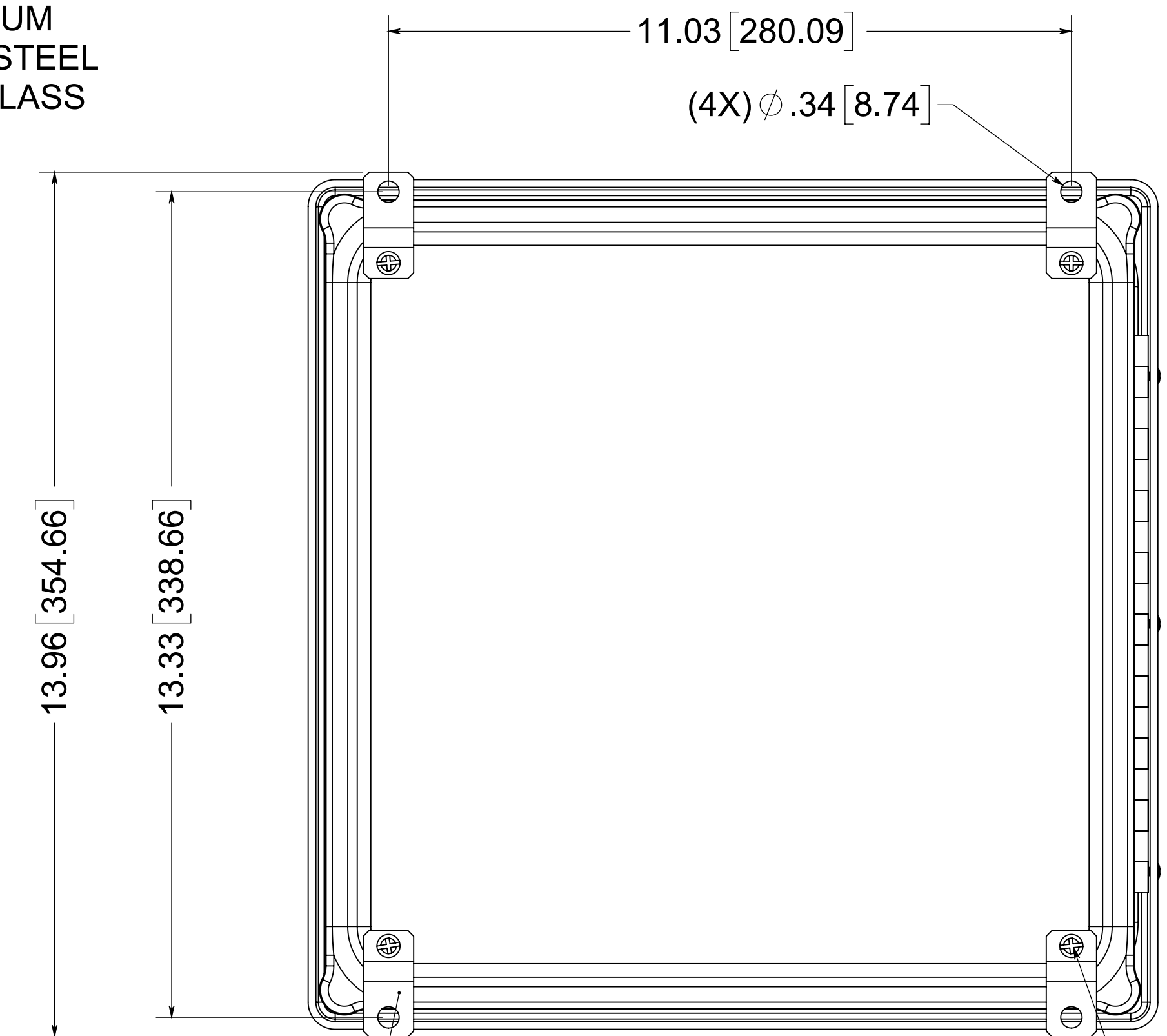


(2X) EACH #10-32 BRASS INSERTS AND 316 STAINLESS STEEL CAPTIVE COVER SCREWS WITH RETAINING O-RING



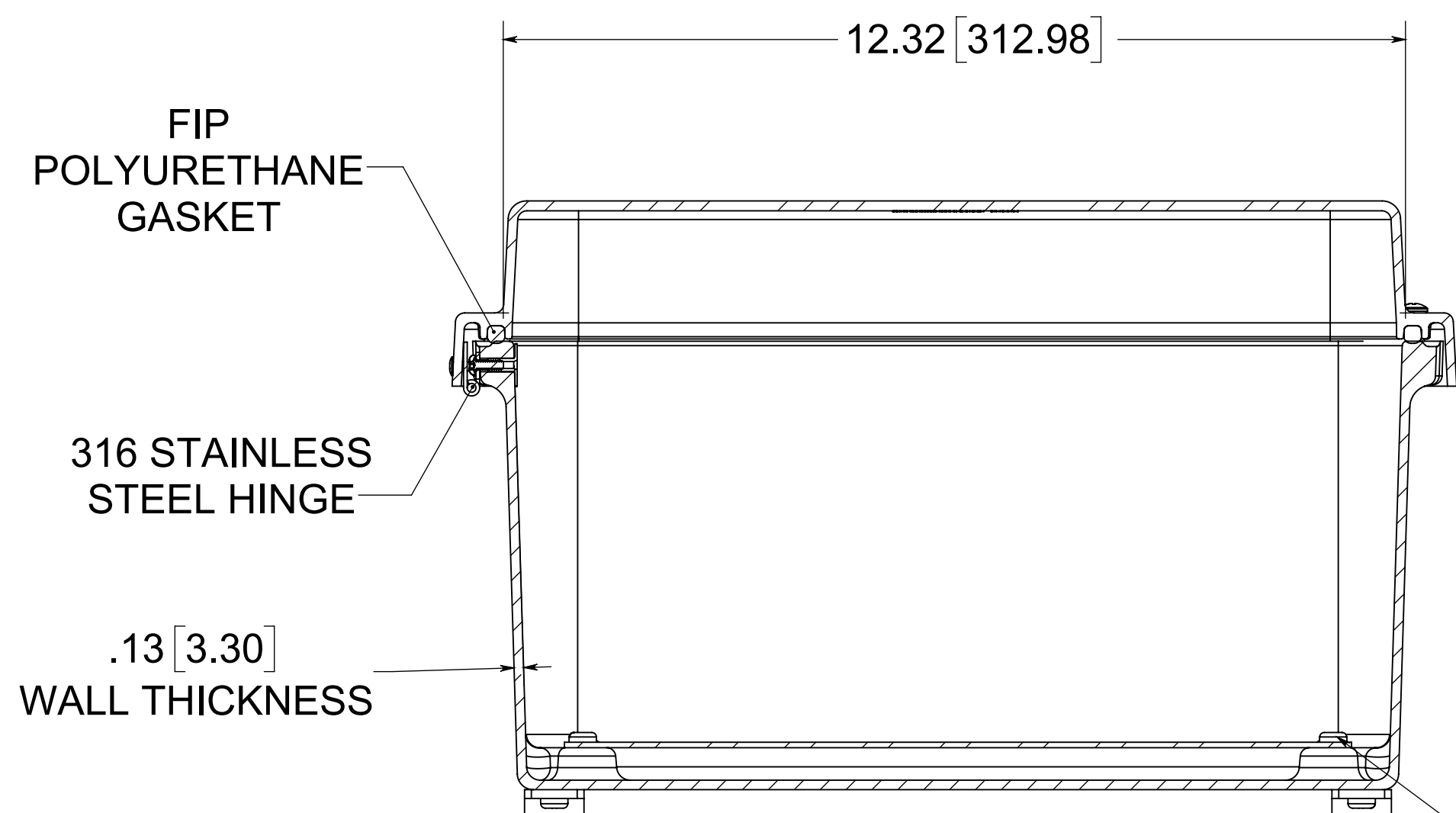
SECTION B-B

OPTIONAL BACK PANEL
 0.100 [2.54] TH'K - ALUMINUM
 0.075 [1.91] TH'K - WHITE STEEL
 0.125 [3.18] TH'K - FIBERGLASS



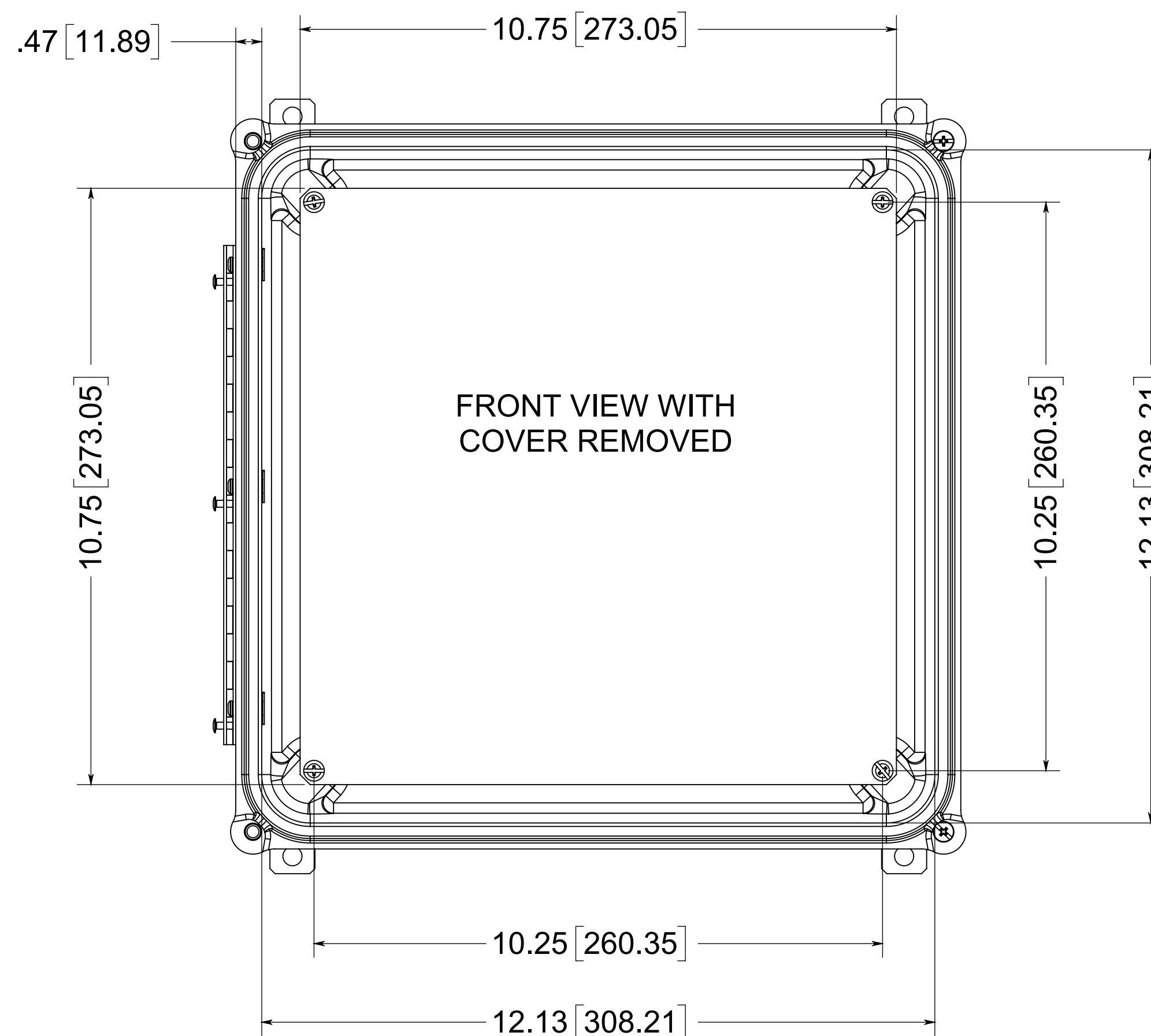
(4X) 316 STAINLESS STEEL FEET

(4X) EACH #10-32 BRASS INSERTS, AND 316 STAINLESS STEEL FEET SCREWS



SECTION A-A

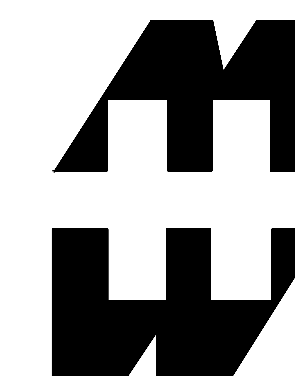
(4X) EACH #10-32 BRASS INSERTS, AND PLATED CARBON STEEL SCREWS



FRONT VIEW WITH COVER REMOVED

NOTES:
 1. DATA SUBJECT TO CHANGE WITHOUT NOTICE

MATERIAL:
 BOX- COMPRESSION MOLDED FIBERGLASS REINFORCED POLYESTER
 COVER- COMPRESSION MOLDED FIBERGLASS REINFORCED POLYESTER
 WINDOWS- POLYCARBONATE



PART No. PJ12126RH

for more information visit
www.hammfg.com
 Data subject to change without notice
 Drawing Not to Scale