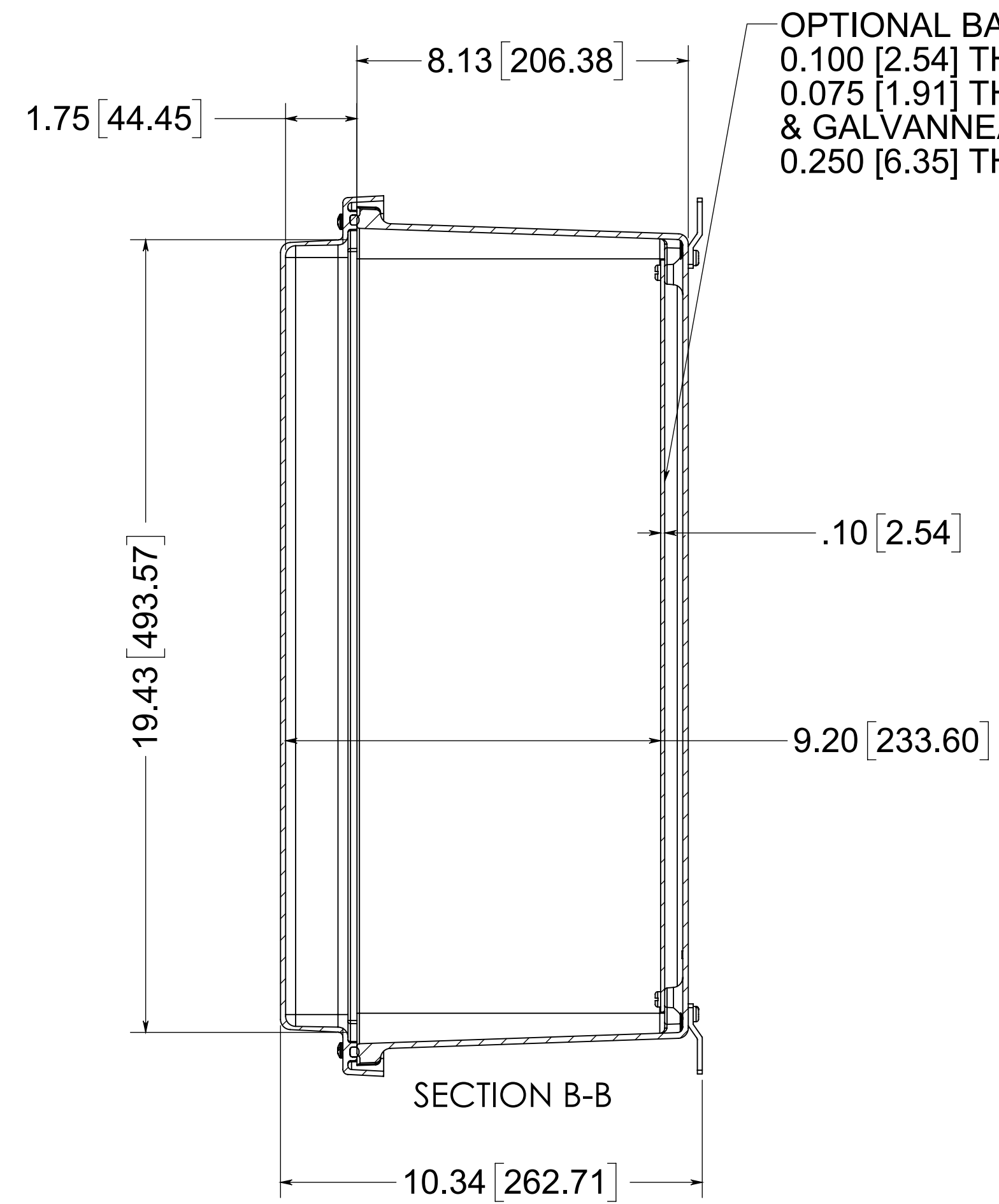
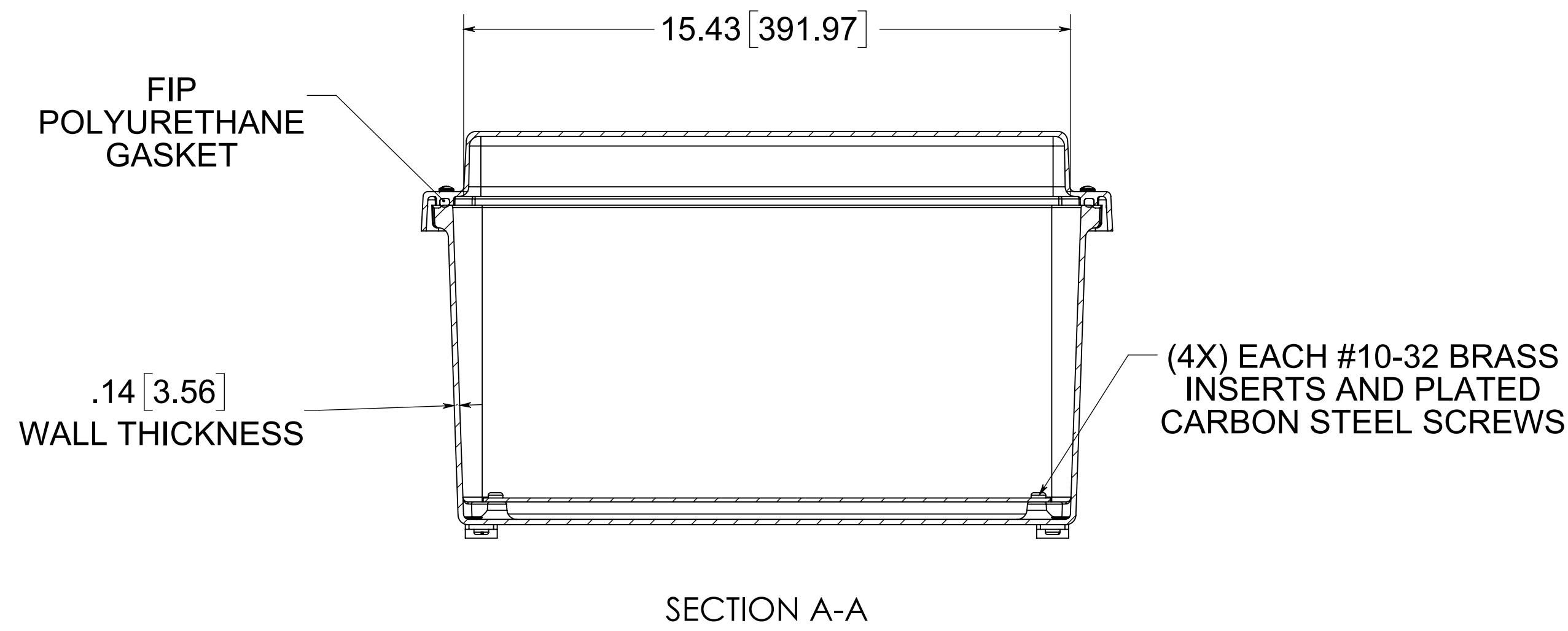
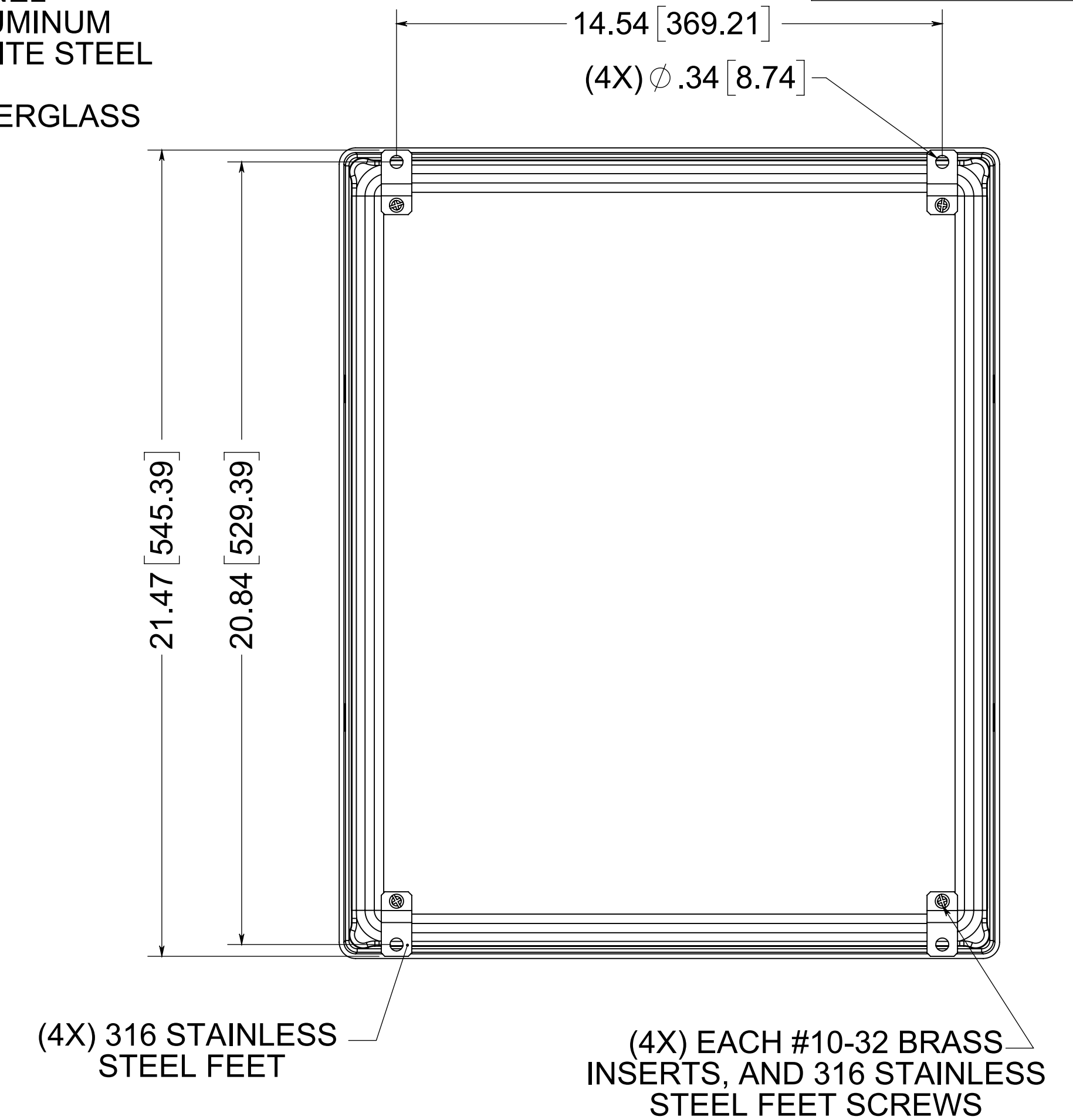


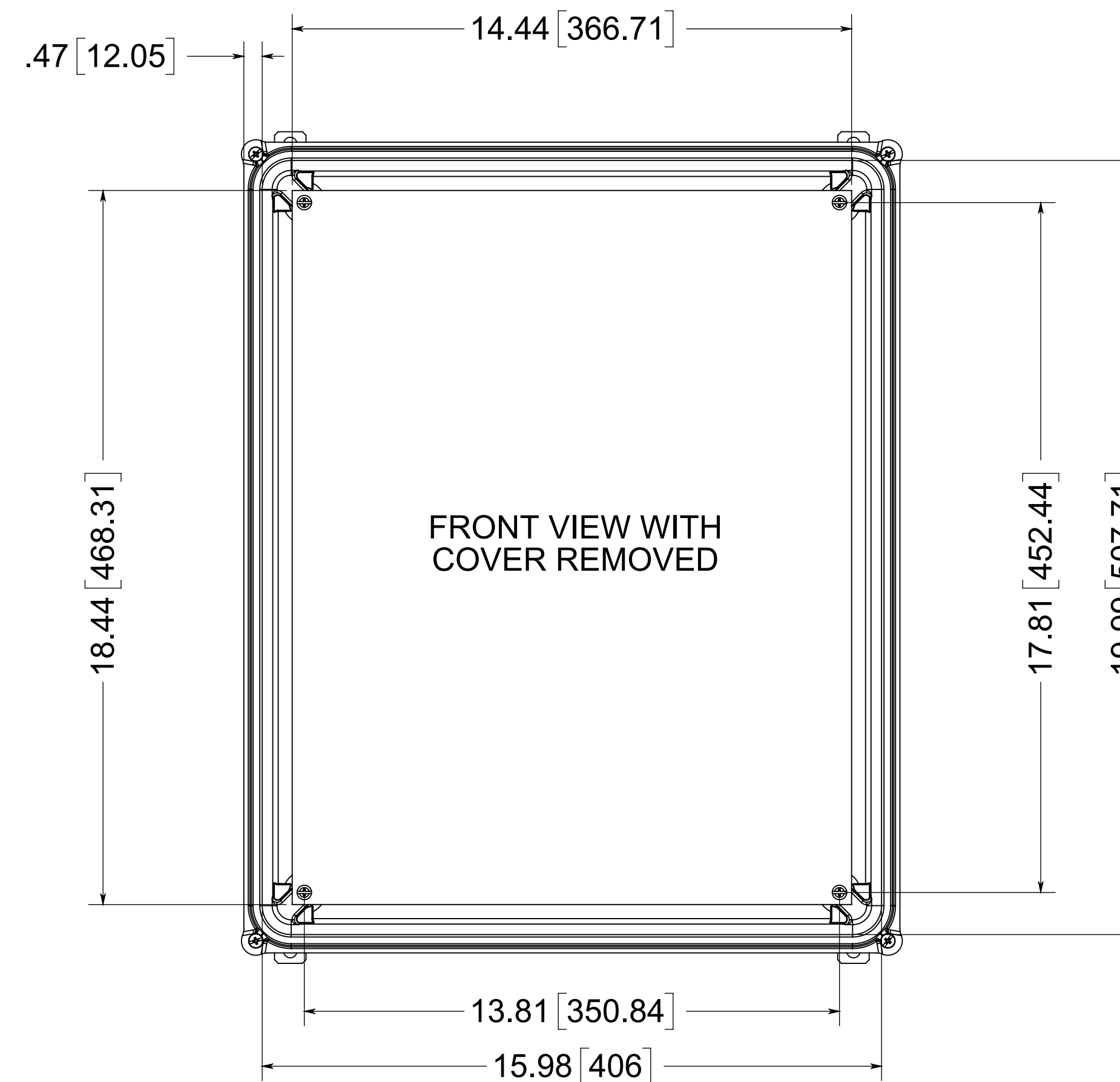
(4X) EACH #10-32 BRASS INSERTS AND 316 STAINLESS STEEL CAPTIVE COVER SCREWS WITH RETAINING O-RING



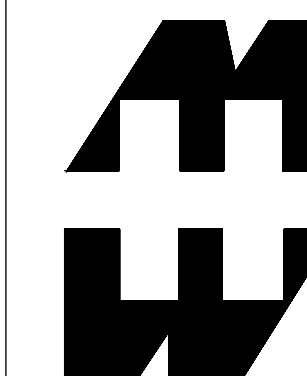
OPTIONAL BACK PANEL  
0.100 [2.54] TH'K- ALUMINUM  
0.075 [1.91] TH'K- WHITE STEEL & GALVANNEALED  
0.250 [6.35] TH'K- FIBERGLASS



MATERIAL:  
BOX-COMPRESSION MOLDED FIBERGLASS REINFORCED POLYESTER  
COVER- COMPRESSION MOLDED FIBERGLASS REINFORCED POLYESTER  
WINDOW- POLYCARBONATE



NOTE:  
1. DATA SUBJECT TO CHANGE WITHOUT NOTICE



PART No. PJ20168R  
for more information visit  
[www.hammfg.com](http://www.hammfg.com)  
Data subject to change without notice  
Drawing Not to Scale