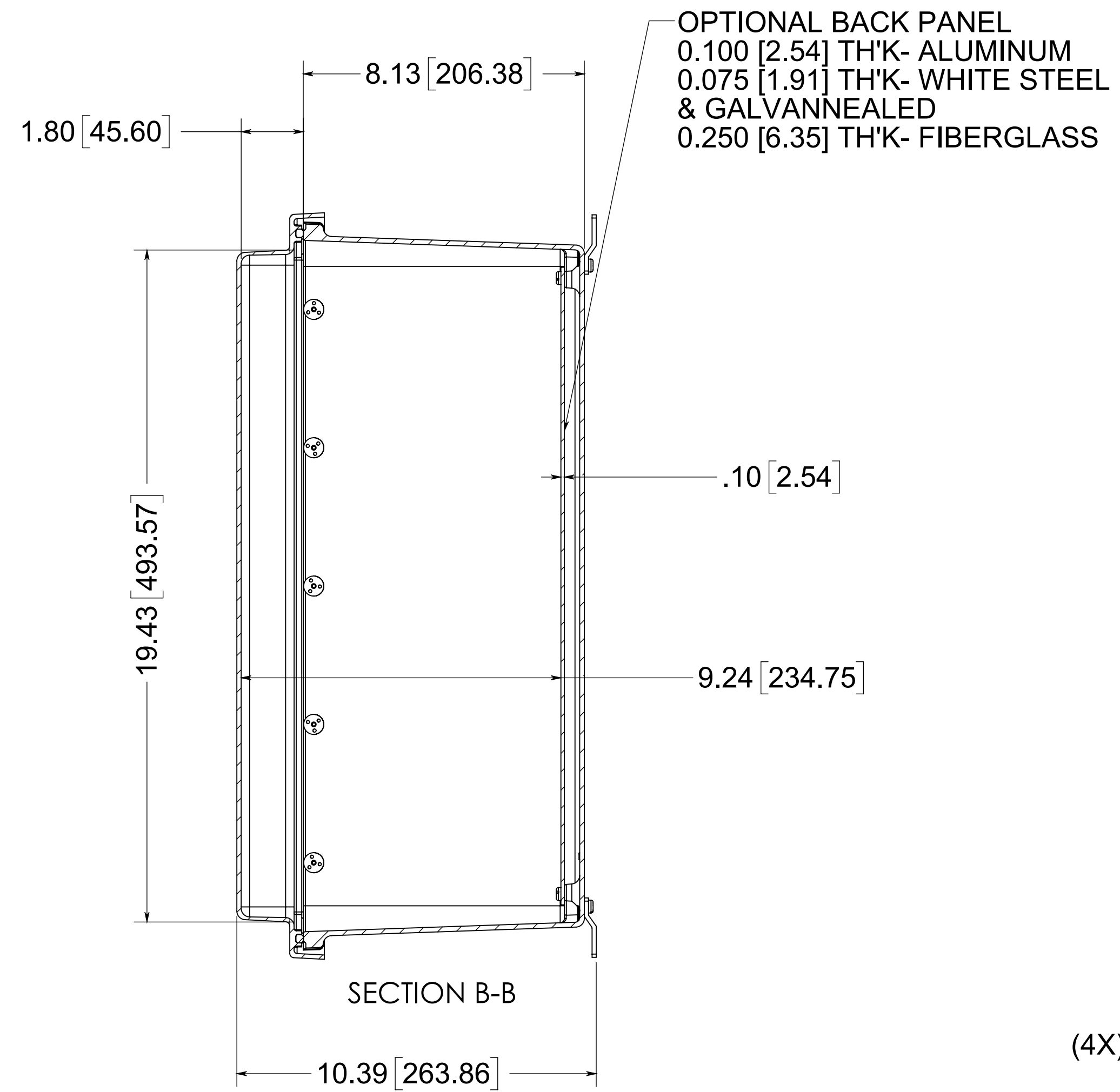


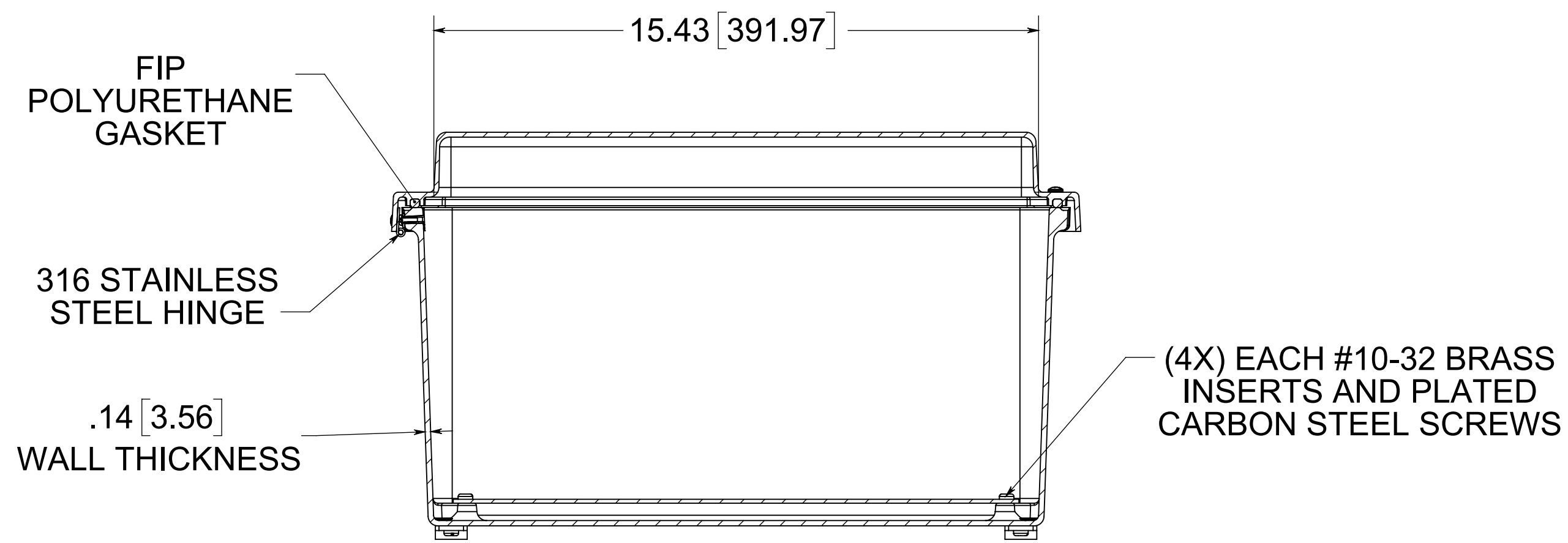
(2X) EACH #10-32 BRASS INSERTS AND 316 STAINLESS STEEL CAPTIVE COVER SCREWS WITH RETAINING O-RING



SECTION B-B

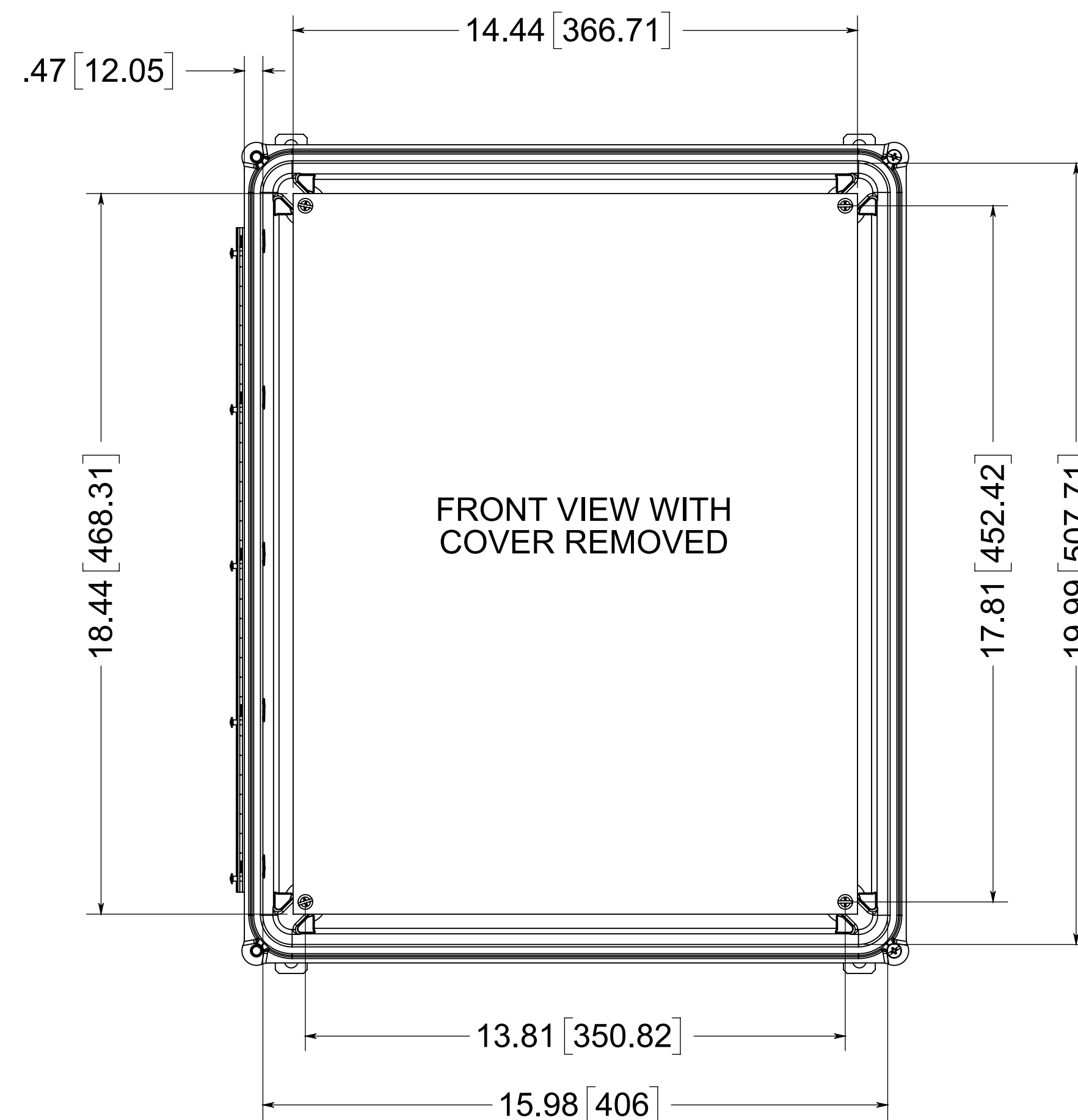
(4X) 316 STAINLESS STEEL FEET

(4X) EACH #10-32 BRASS INSERTS, AND 316 STAINLESS STEEL FEET SCREWS



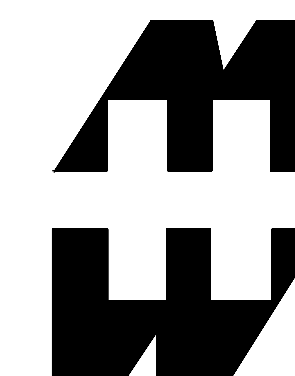
SECTION A-A

MATERIAL:
 BOX-COMPRESSION MOLDED FIBERGLASS REINFORCED POLYESTER
 COVER- COMPRESSION MOLDED FIBERGLASS REINFORCED POLYESTER
 WINDOW- POLYCARBONATE



FRONT VIEW WITH COVER REMOVED

NOTE
 1. DATA SUBJECT TO CHANGE WITHOUT NOTICE



PART No. PJ20168RH
 for more information visit
www.hammfg.com
 Data subject to change without notice
 Drawing Not to Scale