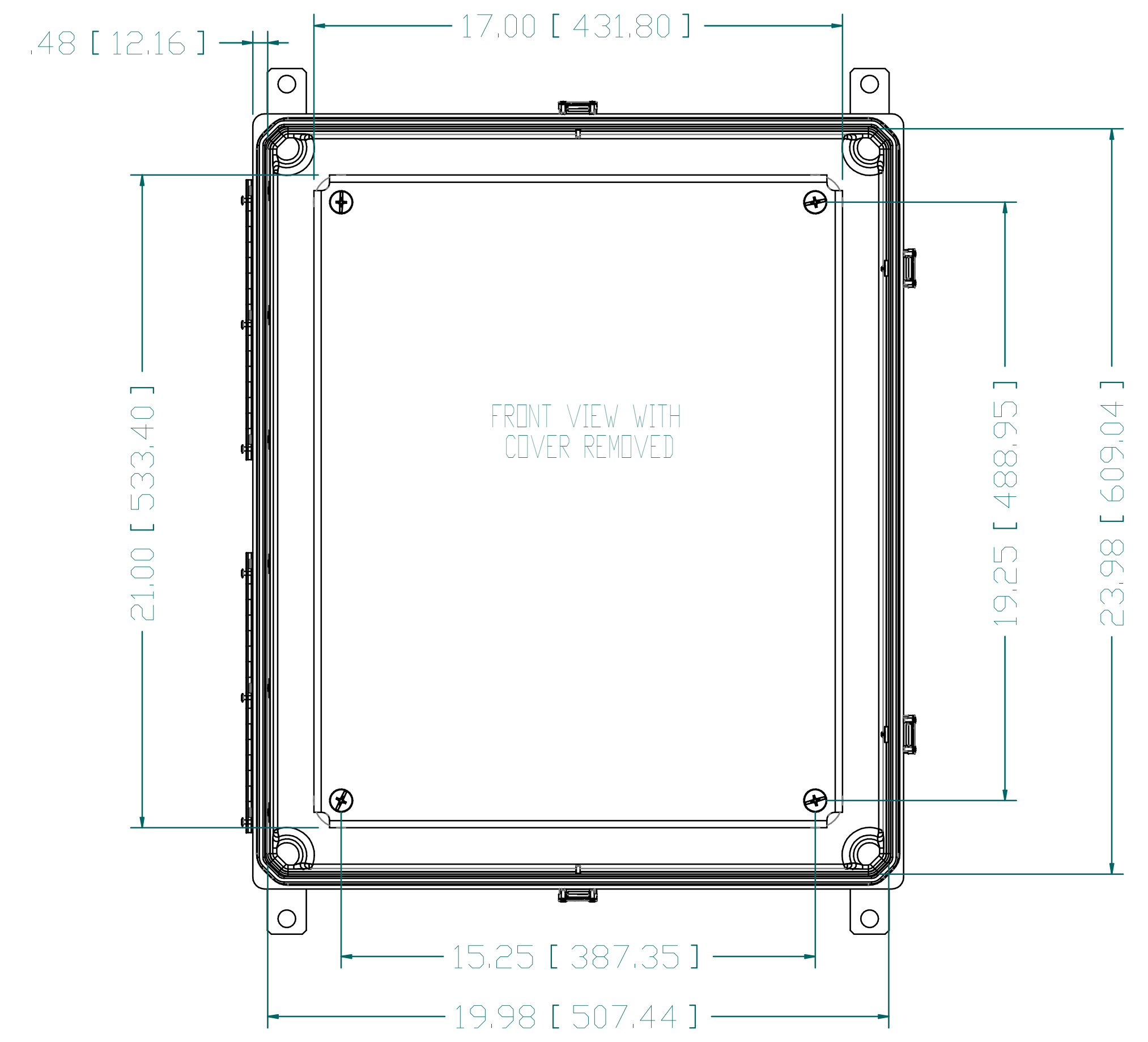
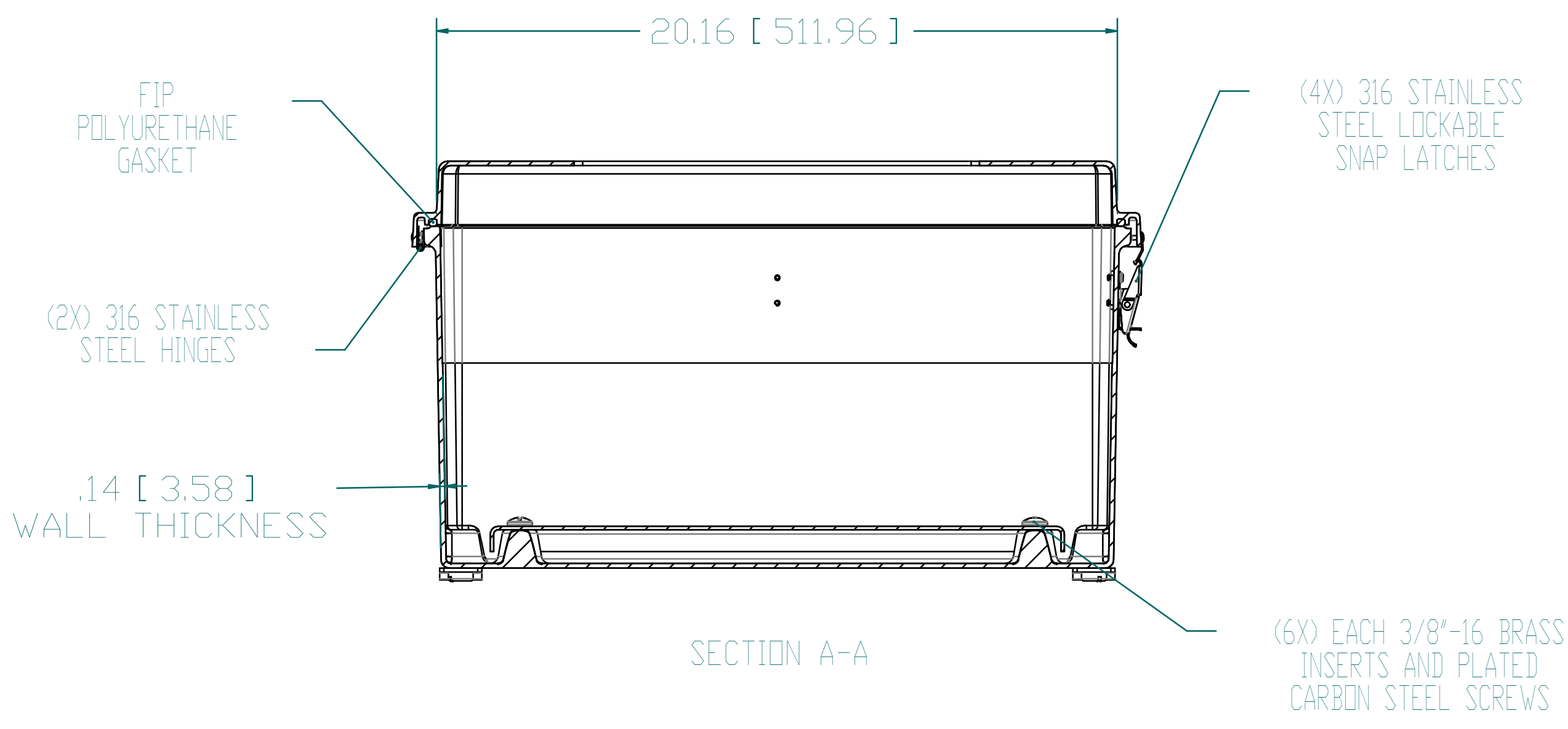
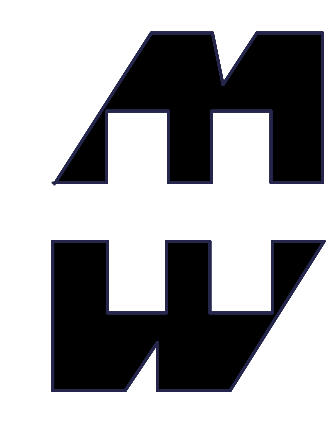


(4X) EACH 3/8"-16 BRASS INSERTS, AND 316 STAINLESS STEEL FEET SCREWS



MATERIAL:  
BOX- COMPRESSION MOLDED FIBERGLASS REINFORCED POLYESTER  
COVER- COMPRESSION MOLDED FIBERGLASS REINFORCED POLYESTER  
WINDOW- POLYCARBONATE

NOTE:  
1. DATA SUBJECT TO CHANGE WITHOUT NOTICE



PART No. PJ242010RLW  
for more information visit [www.hamfmg.com](http://www.hamfmg.com)  
Data subject to change without notice  
Drawing Not to Scale