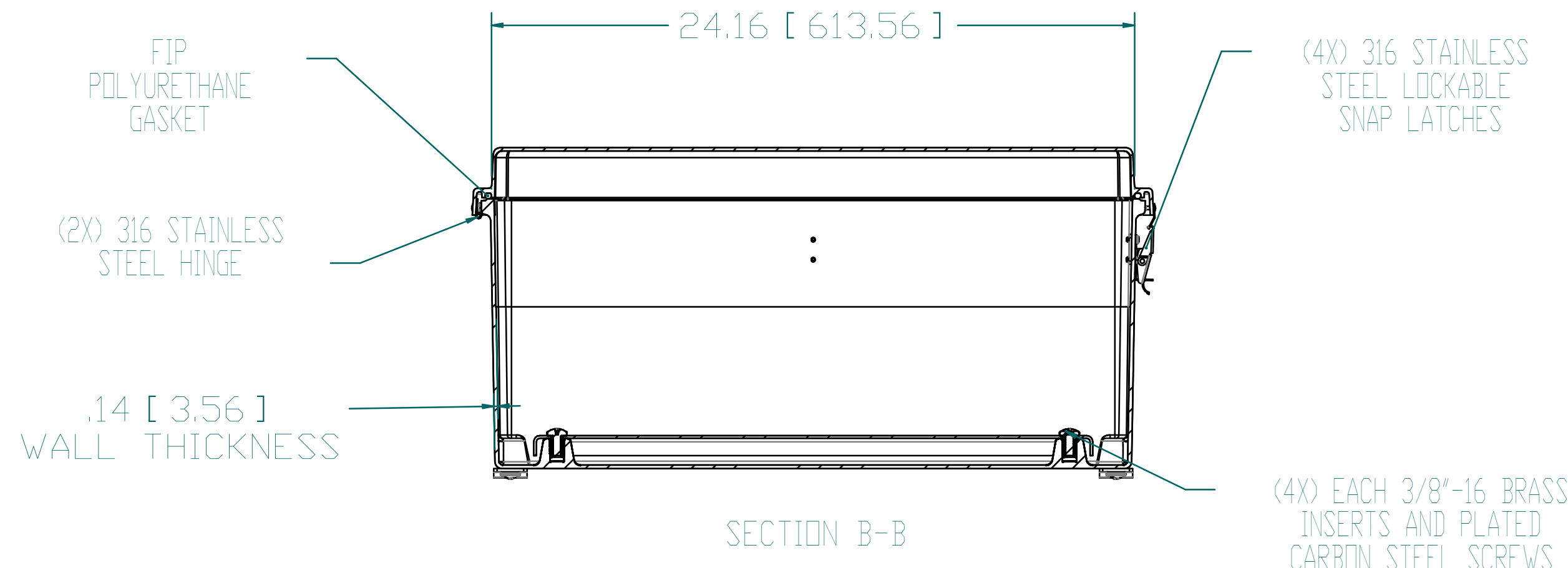
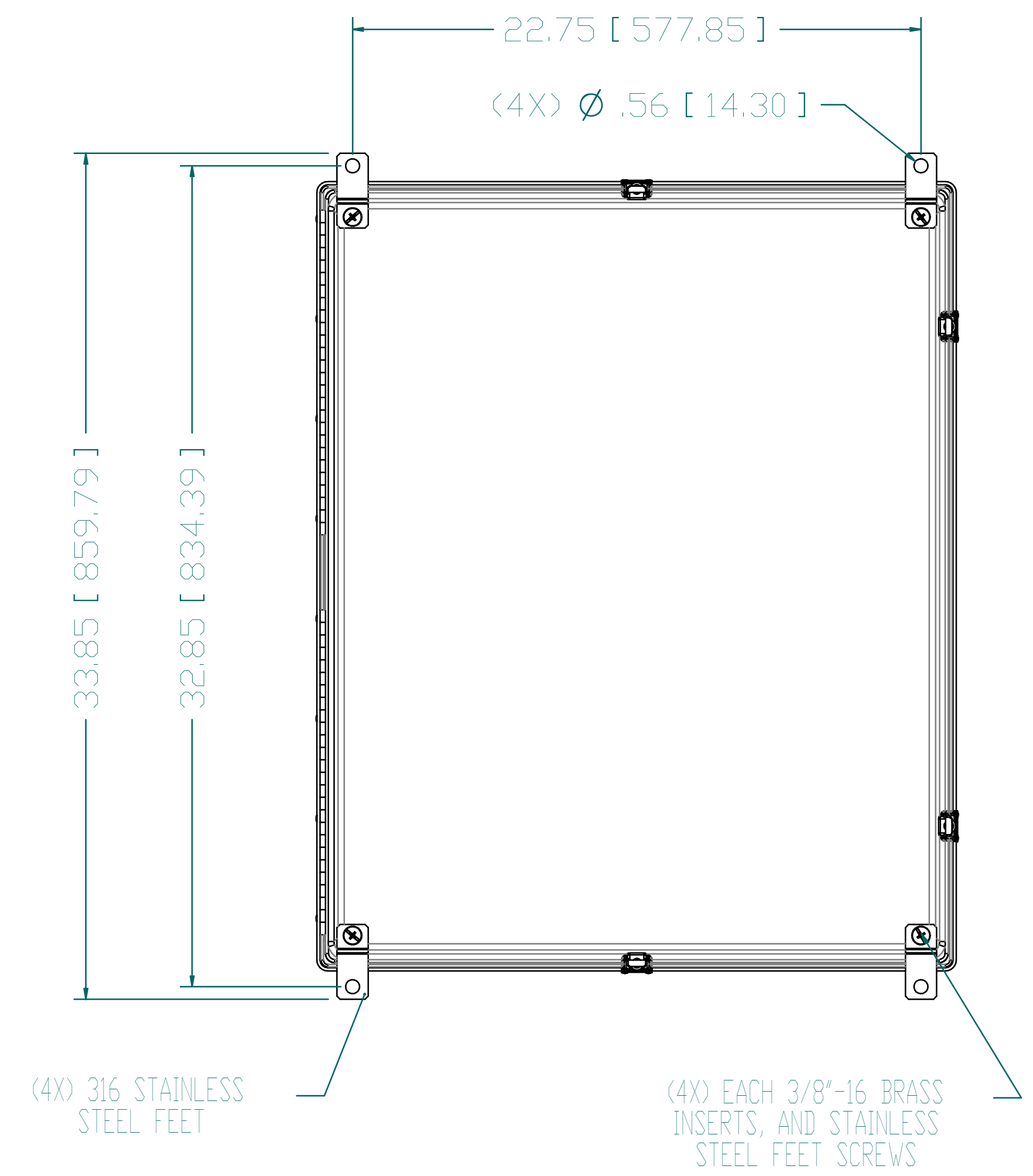
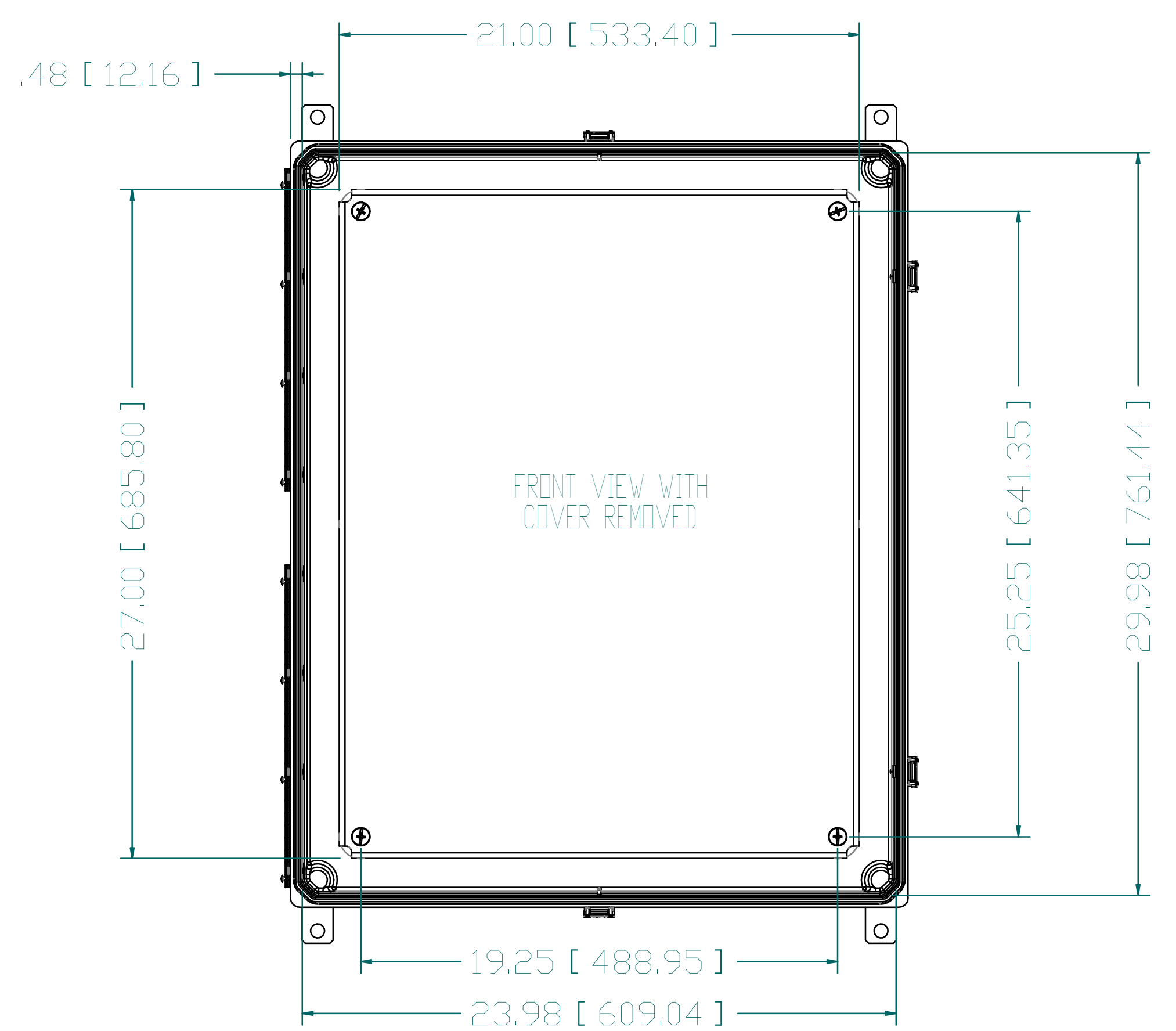


OPTIONAL BACK PANEL SHOWN
0.100 [2.54] TH'K- ALUMINUM
0.105 [2.67] TH'K- WHITE STEEL & GALVANNEALED
0.250 [6.35] TH'K- FIBERGLASS

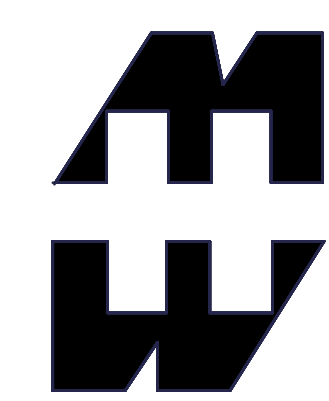


FIP POLYURETHANE GASKET
(2X) 316 STAINLESS STEEL HINGE
(4X) 316 STAINLESS STEEL LOCKABLE SNAP LATCHES
(4X) EACH 3/8"-16 BRASS INSERTS AND PLATED CARBON STEEL SCREWS



MATERIAL:
BOX- COMPRESSION MOLDED FIBERGLASS REINFORCED POLYESTER
COVER- COMPRESSION MOLDED FIBERGLASS REINFORCED POLYESTER
WINDOW- POLYCARBONATE

NOTE:
1. DATA SUBJECT TO CHANGE WITHOUT NOTICE



PART No. PJ302410RL
for more information visit
www.hamfmg.com
Data subject to change without notice
Drawing Not to Scale