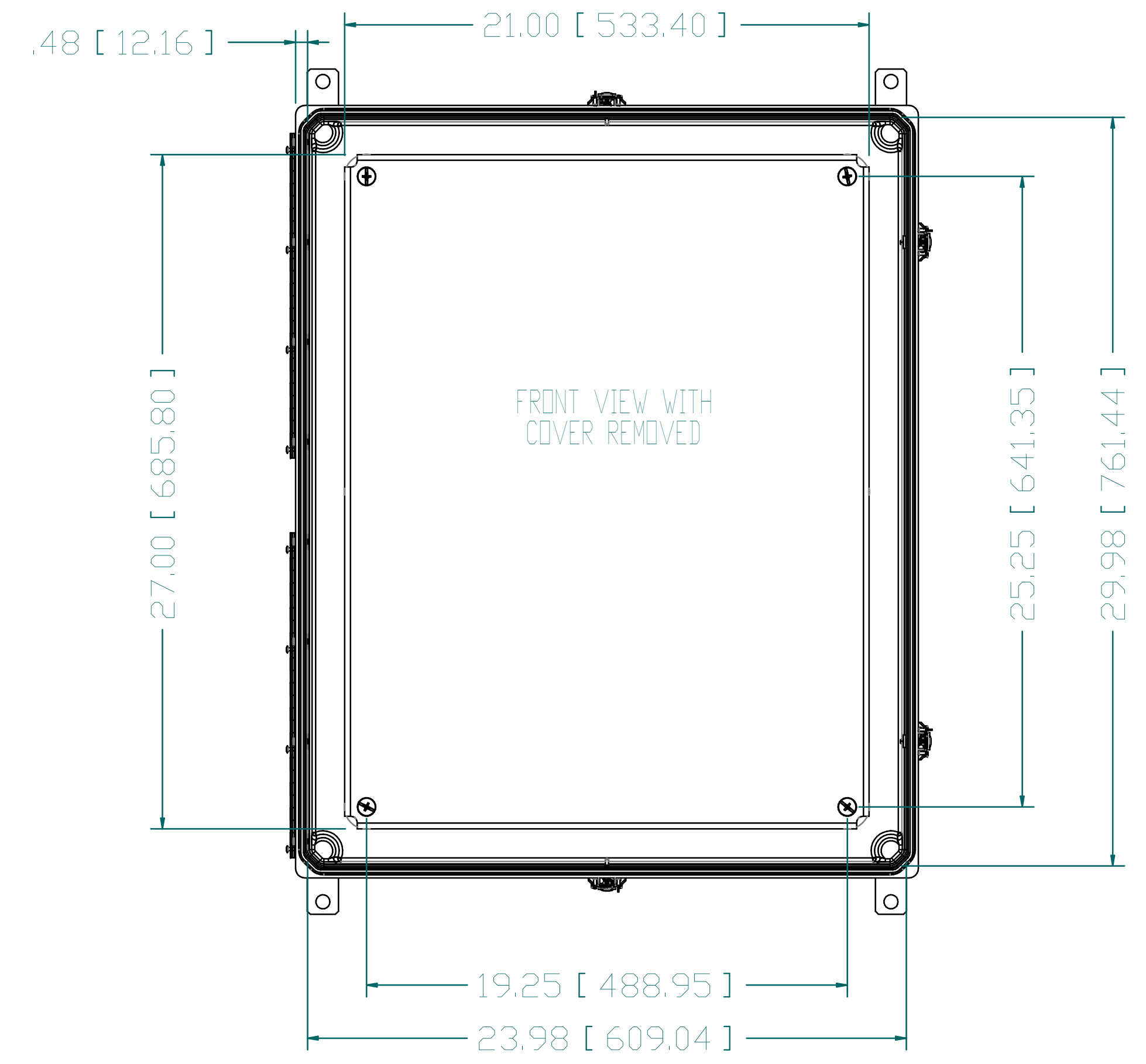
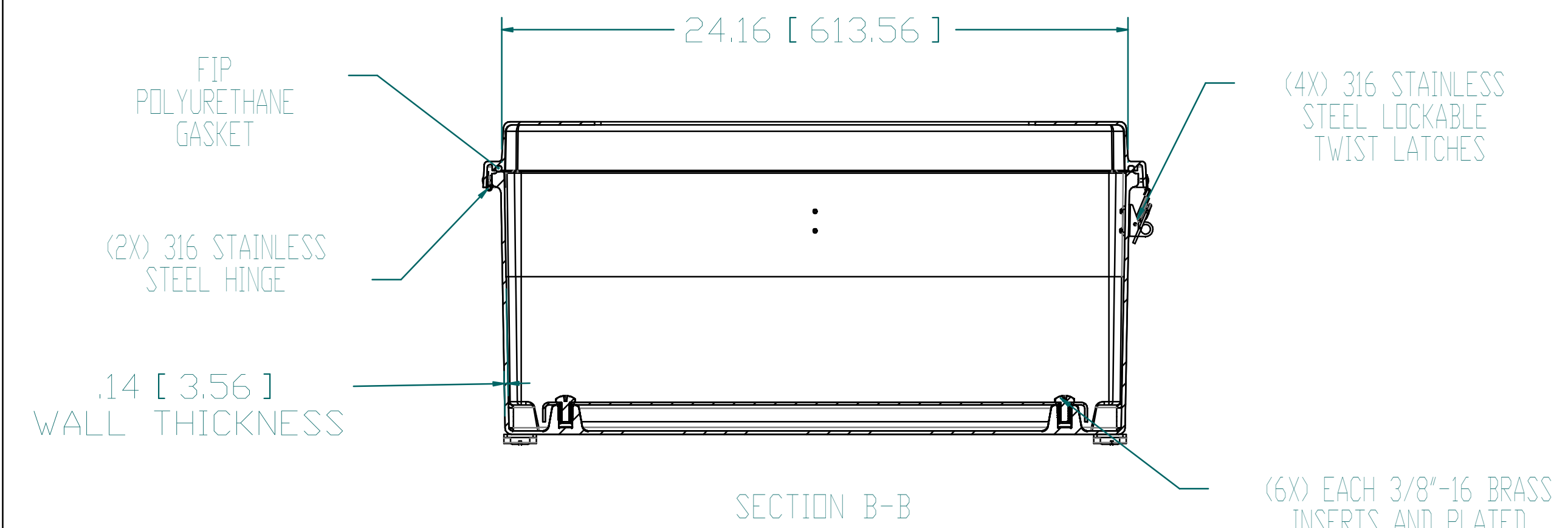
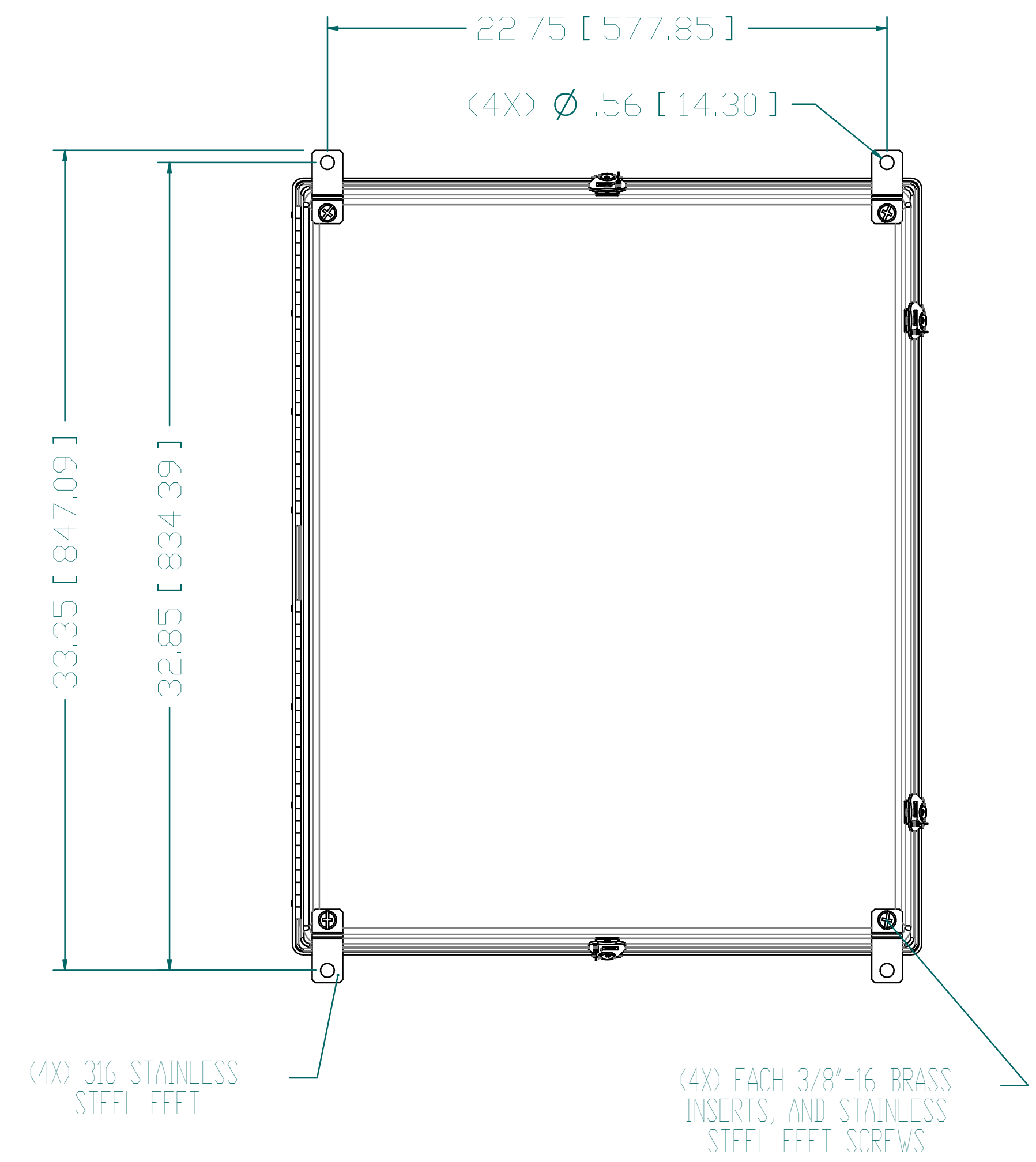


OPTIONAL BACK PANEL SHOWN
0.100 [2.54] THK- ALUMINUM
0.105 [2.67] THK- WHITE STEEL
& GALVANNEALED
0.250 [6.35] THK- FIBERGLASS



MATERIAL:
BOX- COMPRESSION MOLDED FIBERGLASS REINFORCED POLYESTER
COVER- COMPRESSION MOLDED FIBERGLASS REINFORCED POLYESTER
WINDOW- POLYCARBONATE

NOTE:
1. DATA SUBJECT TO CHANGE WITHOUT NOTICE



PART No. PJ302410RTW
for more information visit
www.hamfmg.com
Data subject to change without notice
Drawing Not to Scale