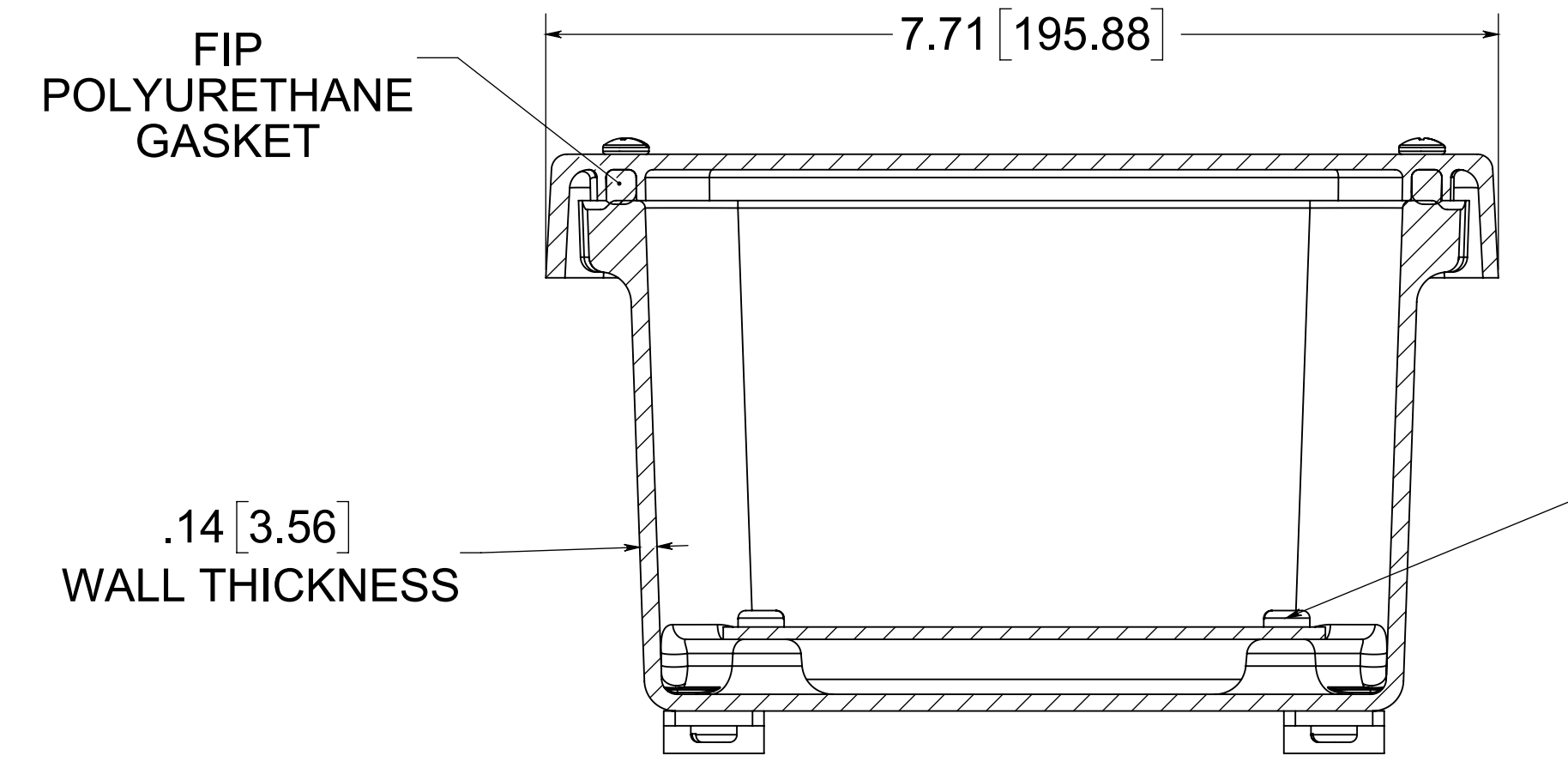
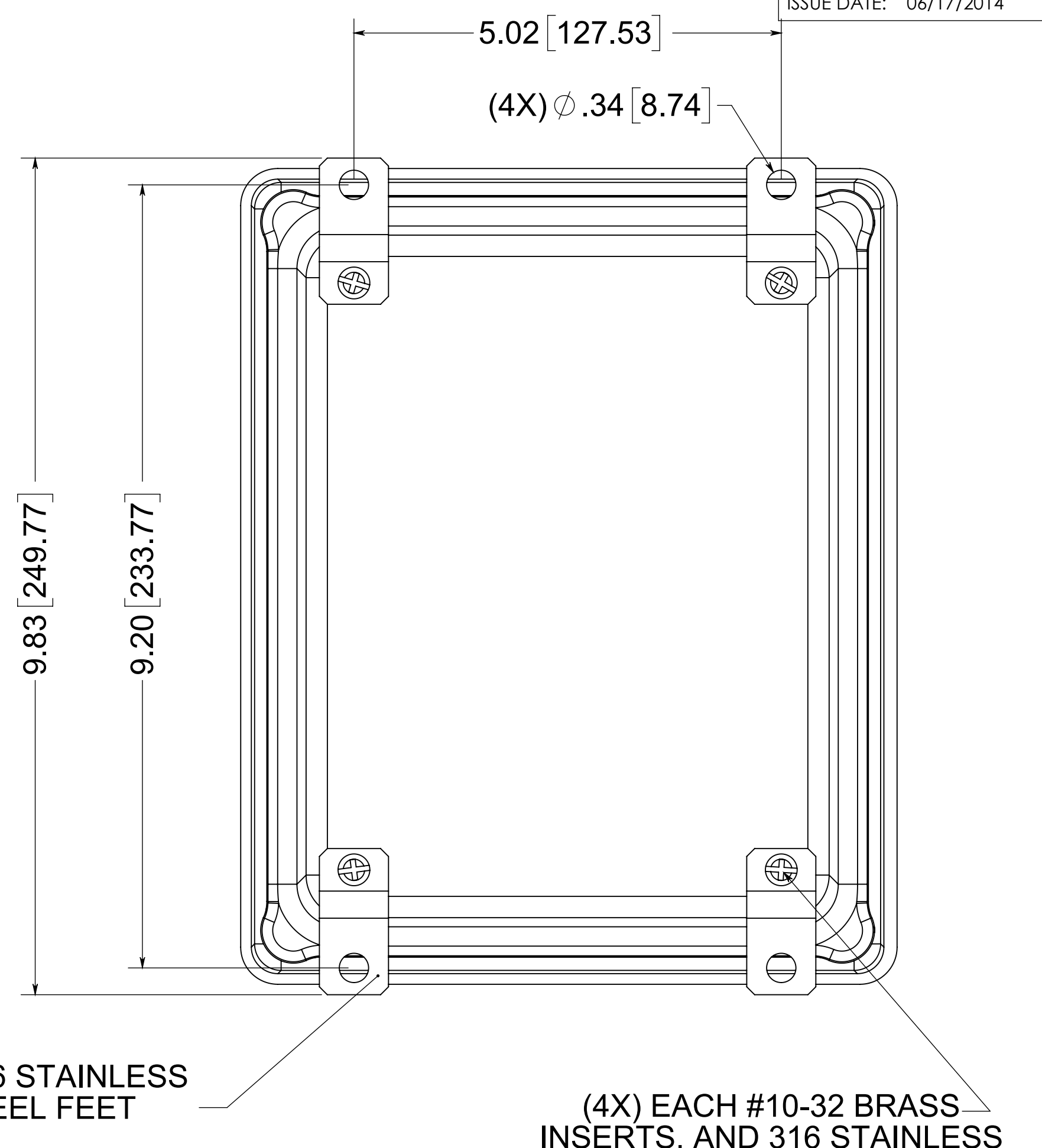
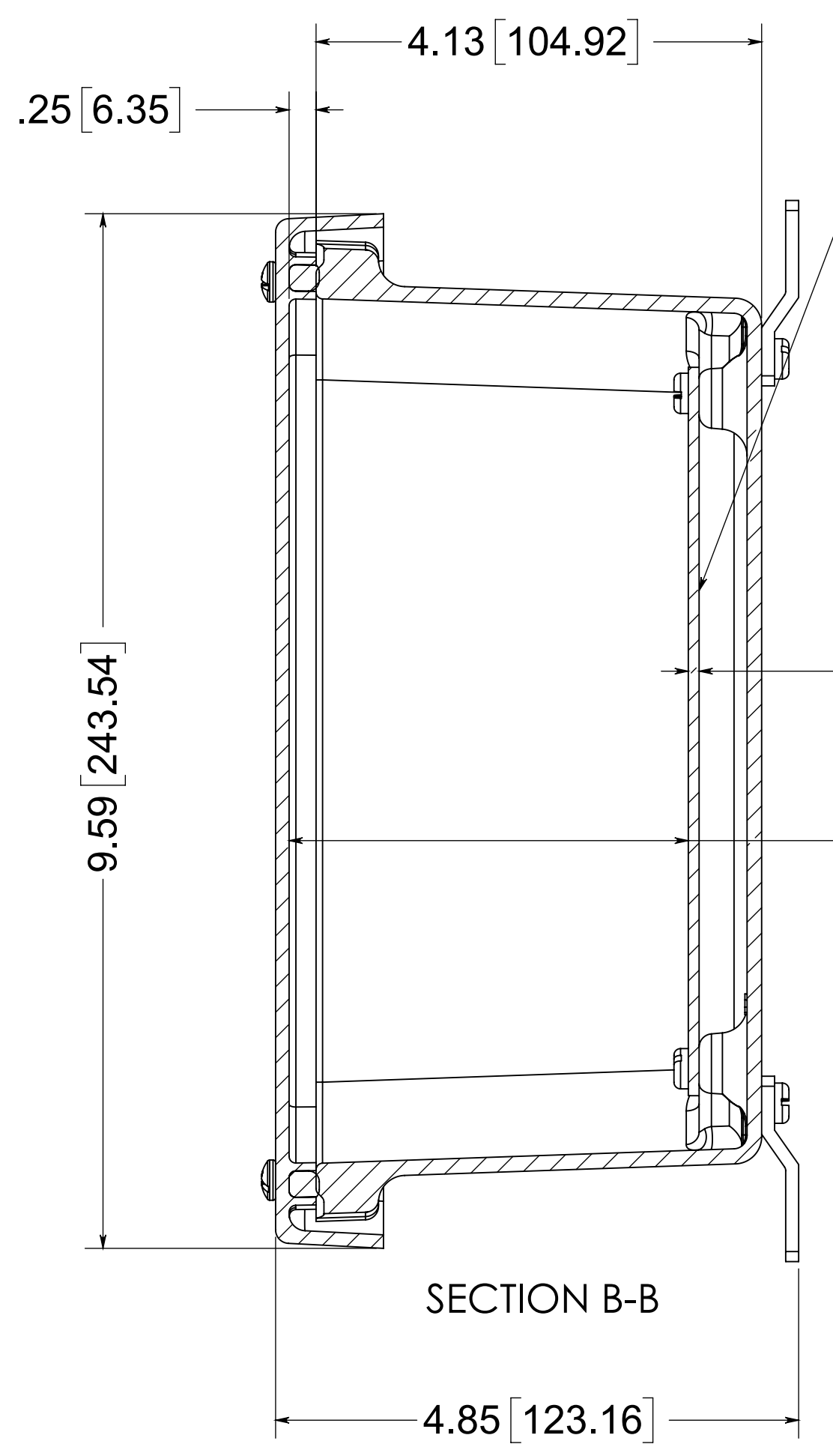
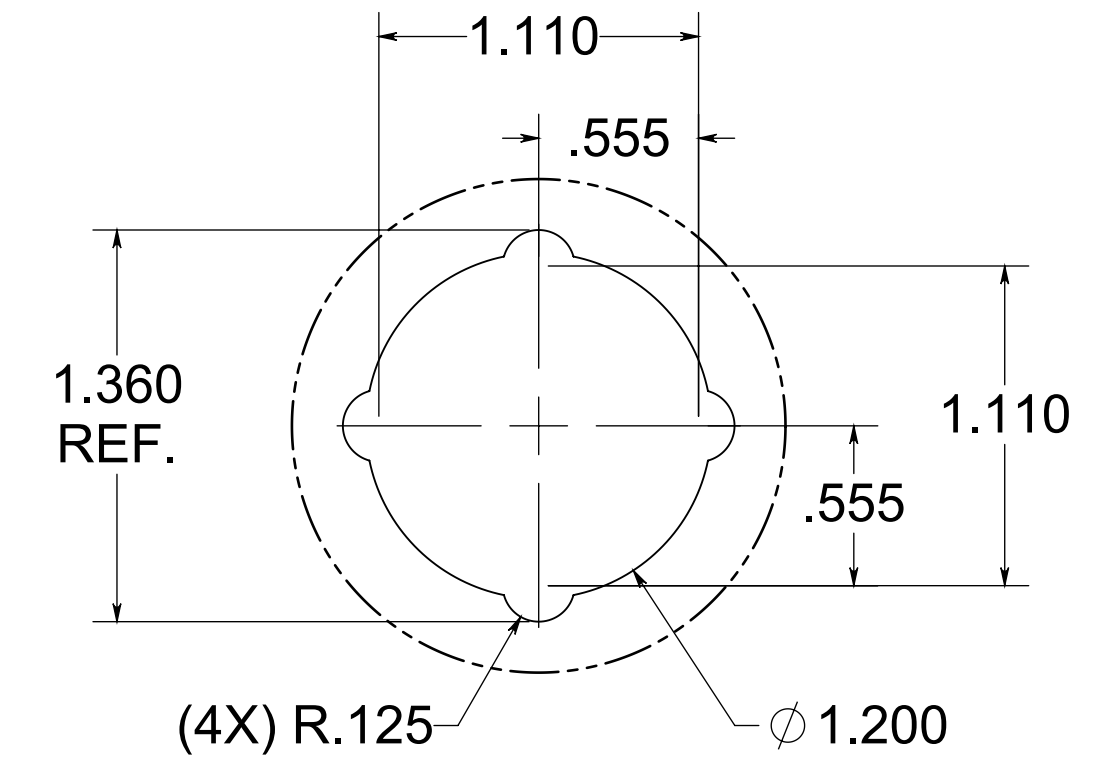
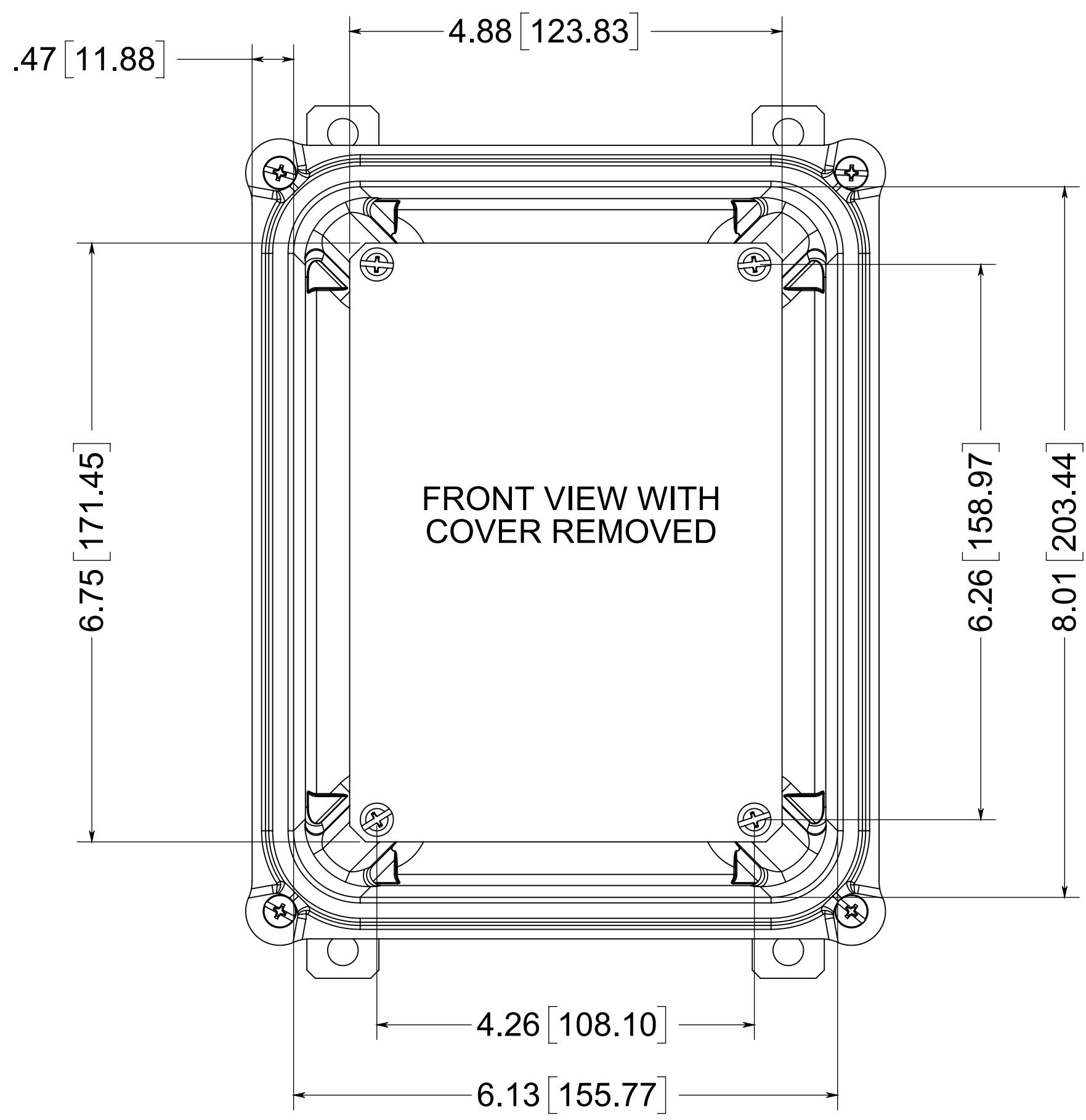


(4X) EACH #10-32 BRASS INSERTS, AND 316 STAINLESS STEEL CAPTIVE COVER SCREWS WITH RETAINING O-RING

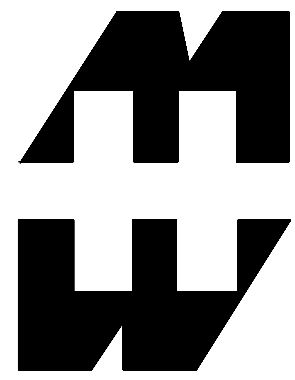


(4X) EACH #10-32 BRASS INSERTS AND PLATED CARBON STEEL SCREWS



NOTE:
1. DATA SUBJECT TO CHANGE WITHOUT NOTICE

MATERIAL:
BOX- COMPRESSION MOLDED FIBERGLASS REINFORCED POLYESTER
COVER- COMPRESSION MOLDED FIBERGLASS REINFORCED POLYESTER
WINDOW- POLYCARBONATE



PART No. PJ864P6
for more information visit
www.hammfg.com
Data subject to change without notice
Drawing Not to Scale