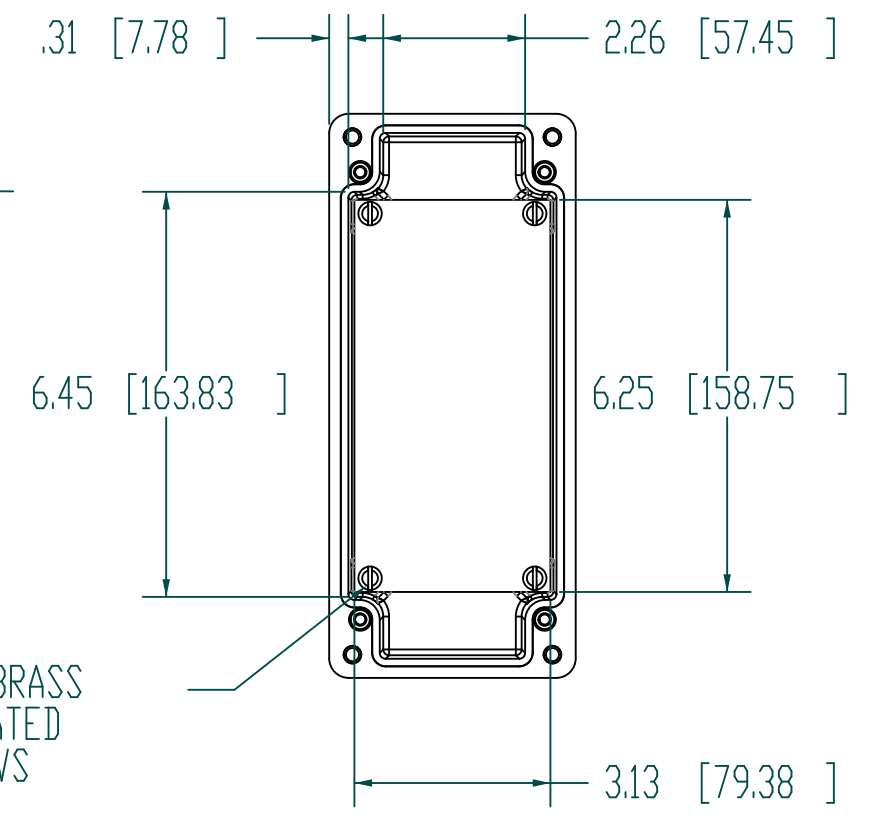
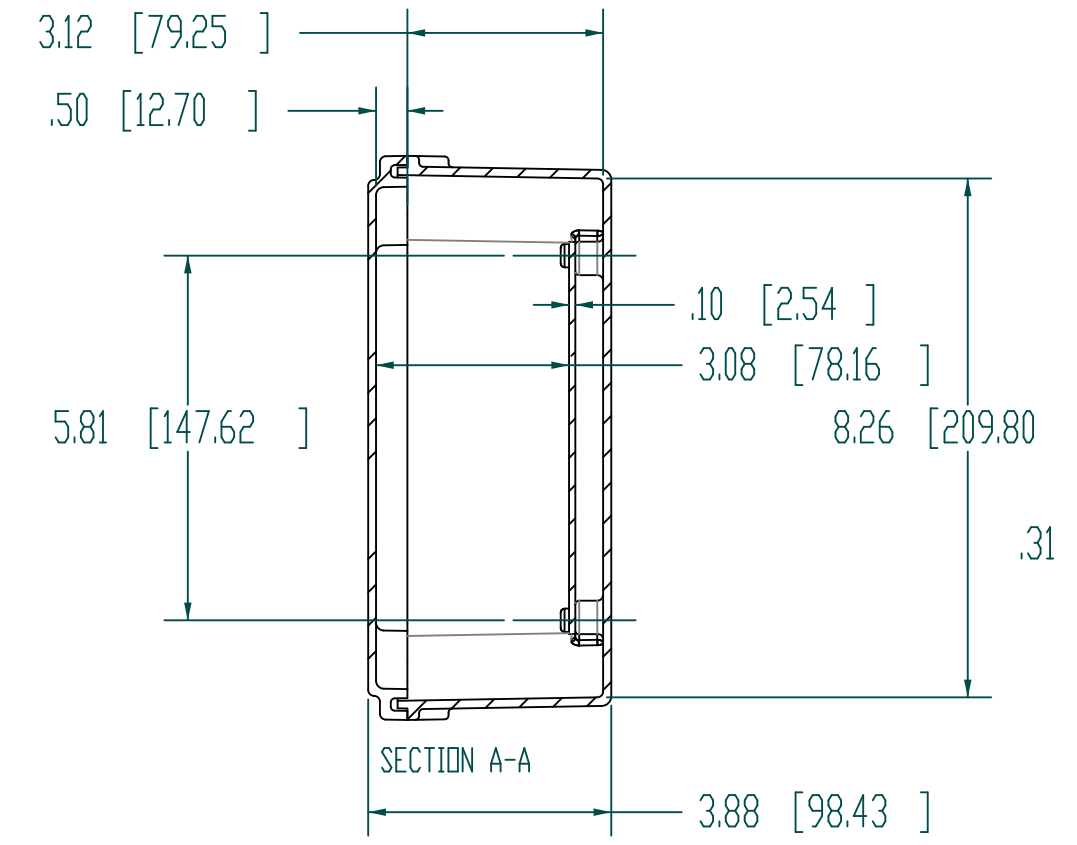
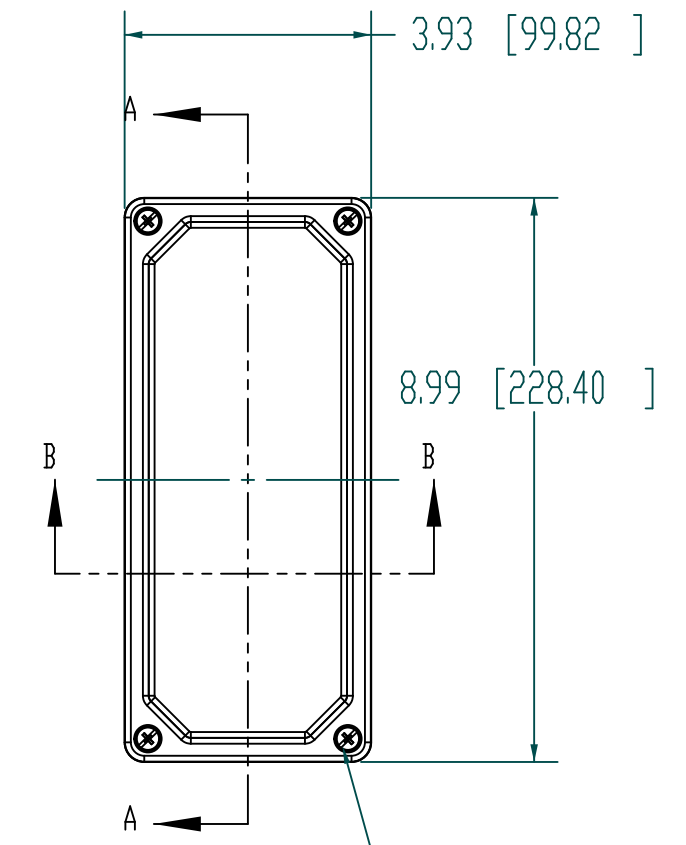
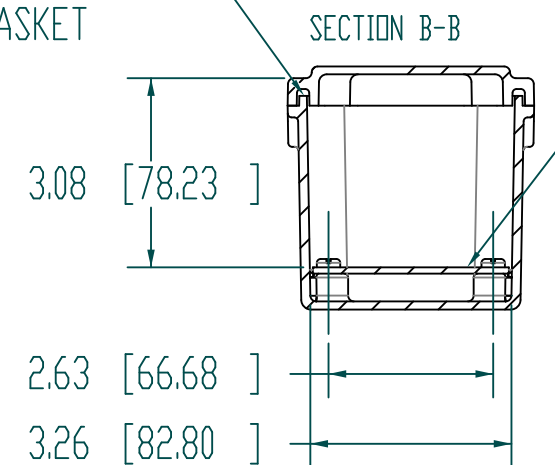


DATE	REV.	DESCRIPTION	DR	CK	REL



(4) EACH #10-32
BRASS INSERTS,
AND STAINLESS STEEL
COVER SCREWS

CLOSED CELL
NEOPRENE
GASKET

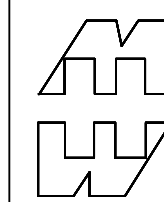


OPTIONAL BACK PANEL
ALUMINUM- 0.100 TH'K
FIBERGLASS- 0.125 TH'K

(4) EACH #10-32 BRASS
INSERTS AND PLATED
CARBON STEEL SCREWS

MATERIAL:

BOX & COVER- COMPRESSION MOLDED FIBERGLASS REINFORCED POLYESTER



PART No. PJ944FS
for more information visit
www.hammfg.com
Data subject to change without notice
Drawing Not to Scale