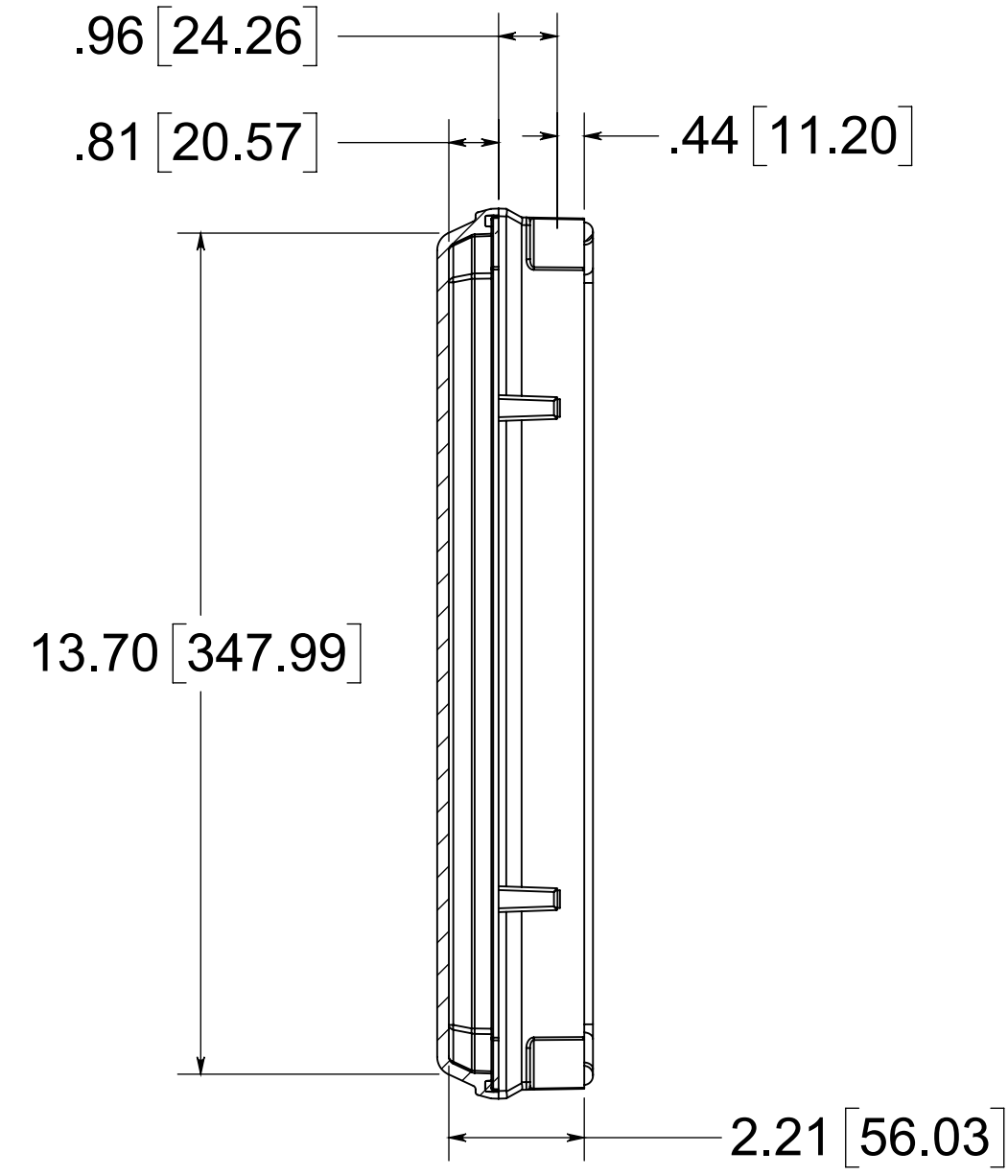
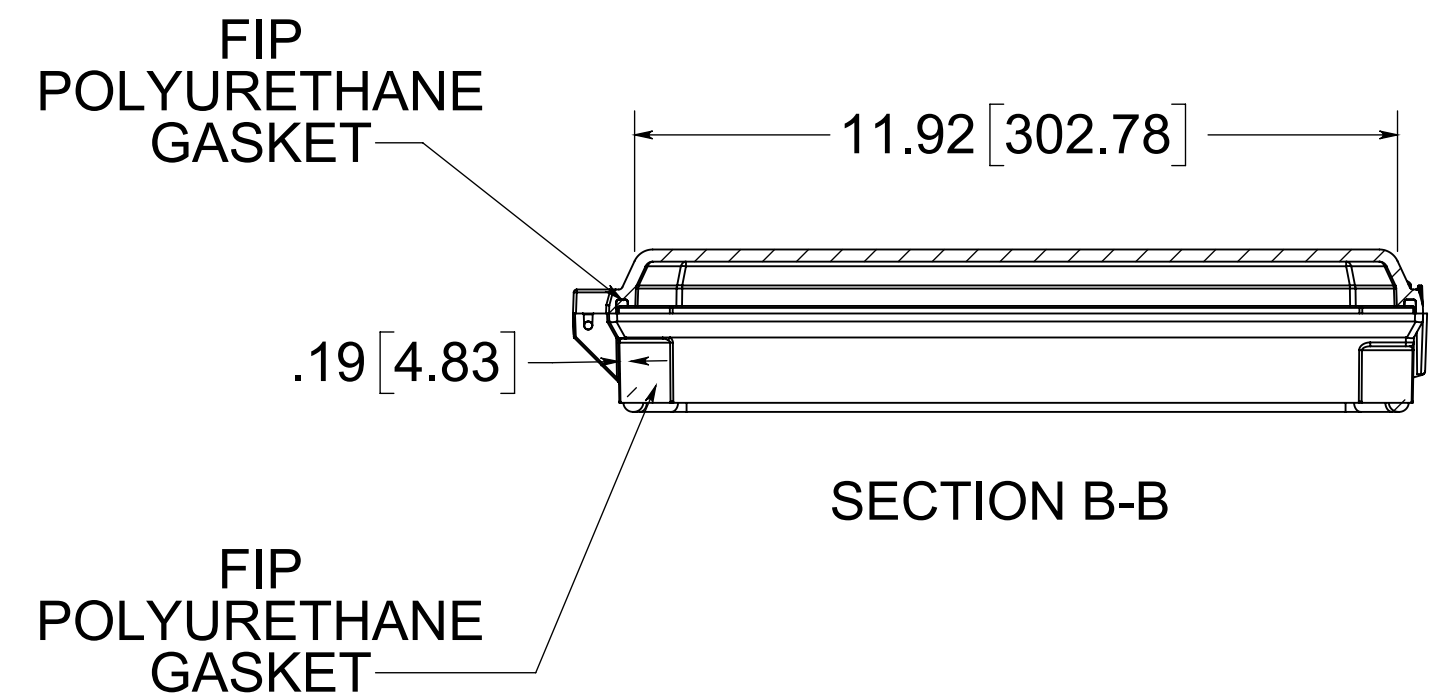
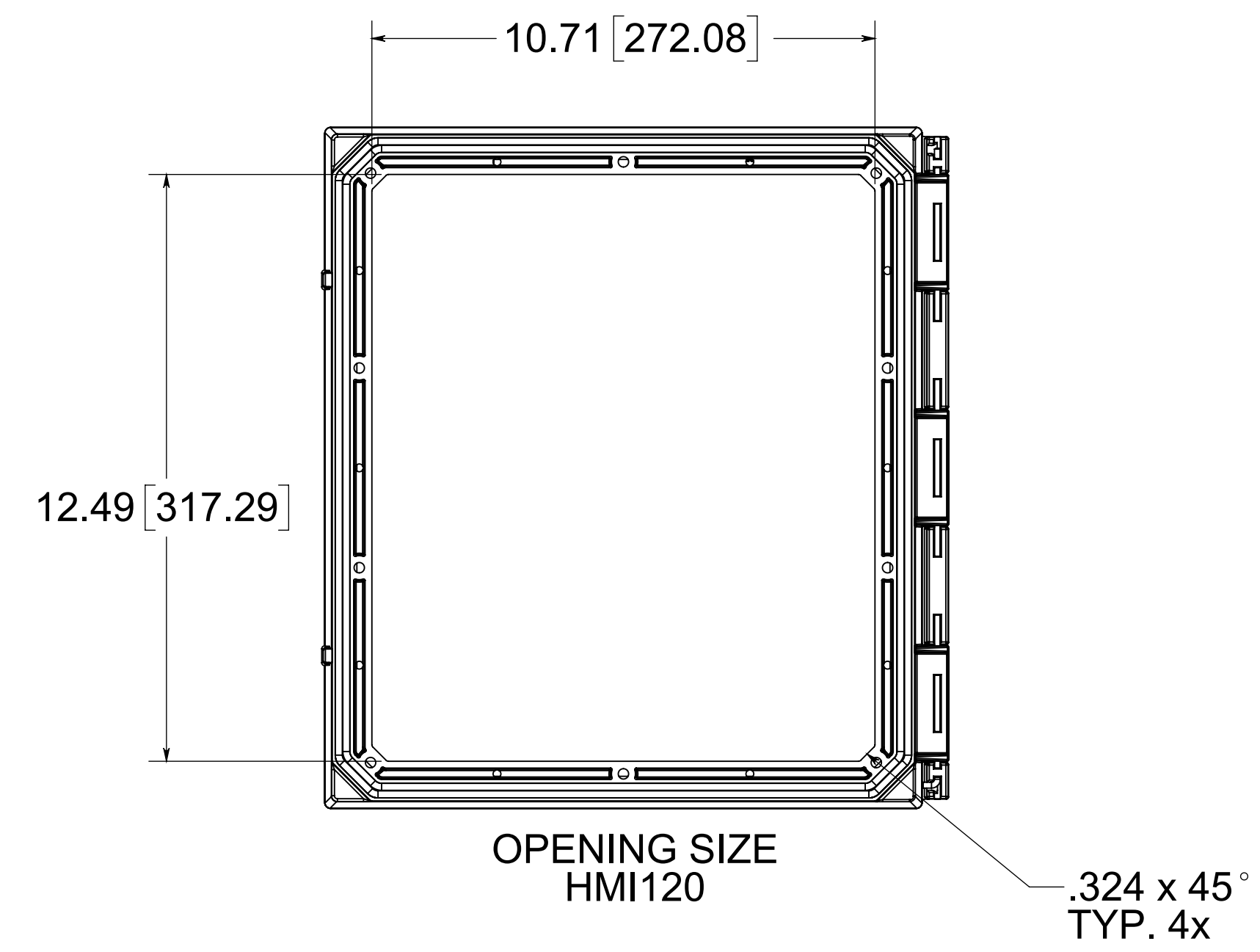


316 STAINLESS STEEL HINGE PIN

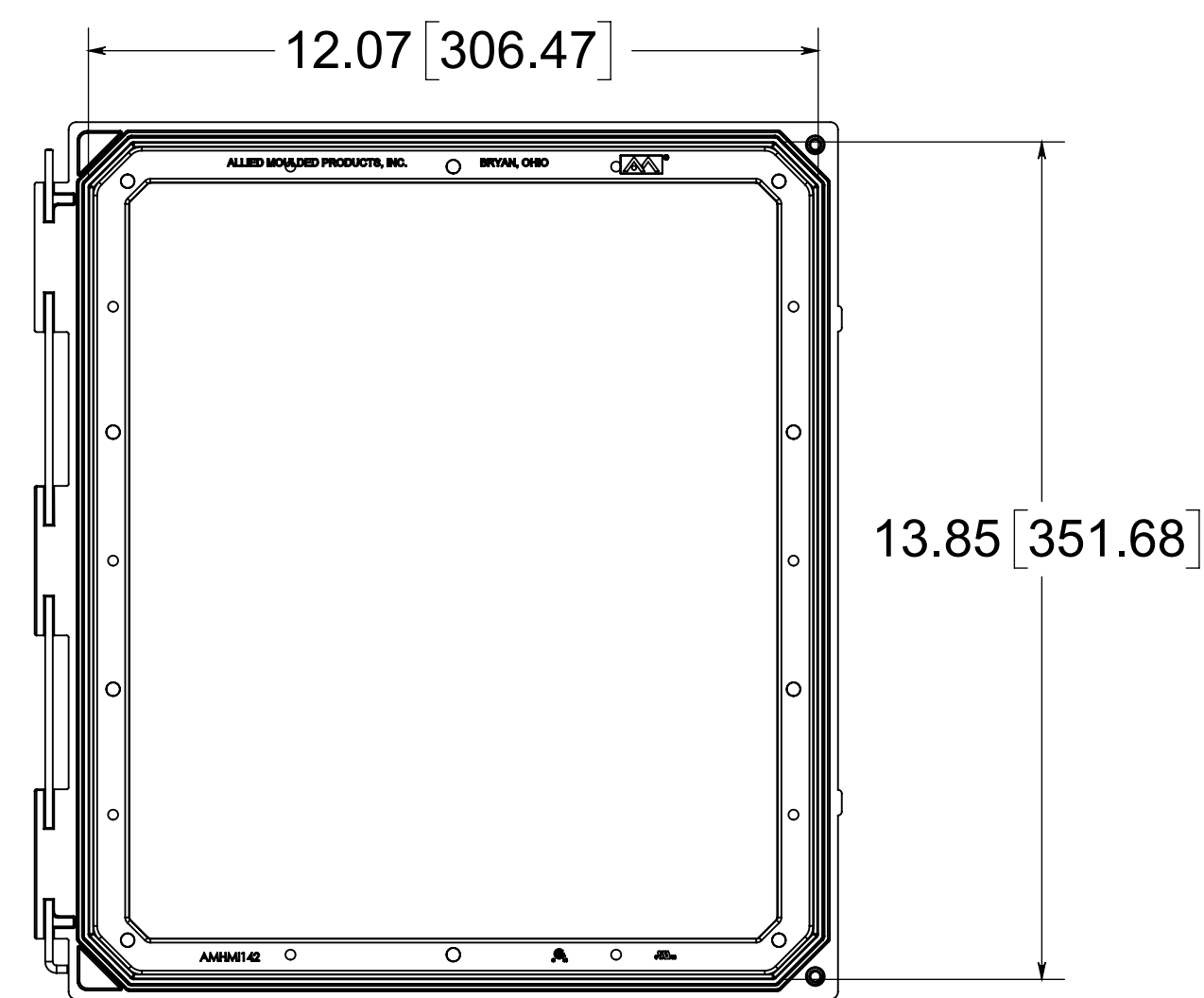
(2) EACH #10-32 BRASS INSERTS, AND 316 STAINLESS STEEL CAPTIVE COVER TAMPER PROOF SCREWS WITH RETAINING O-RING



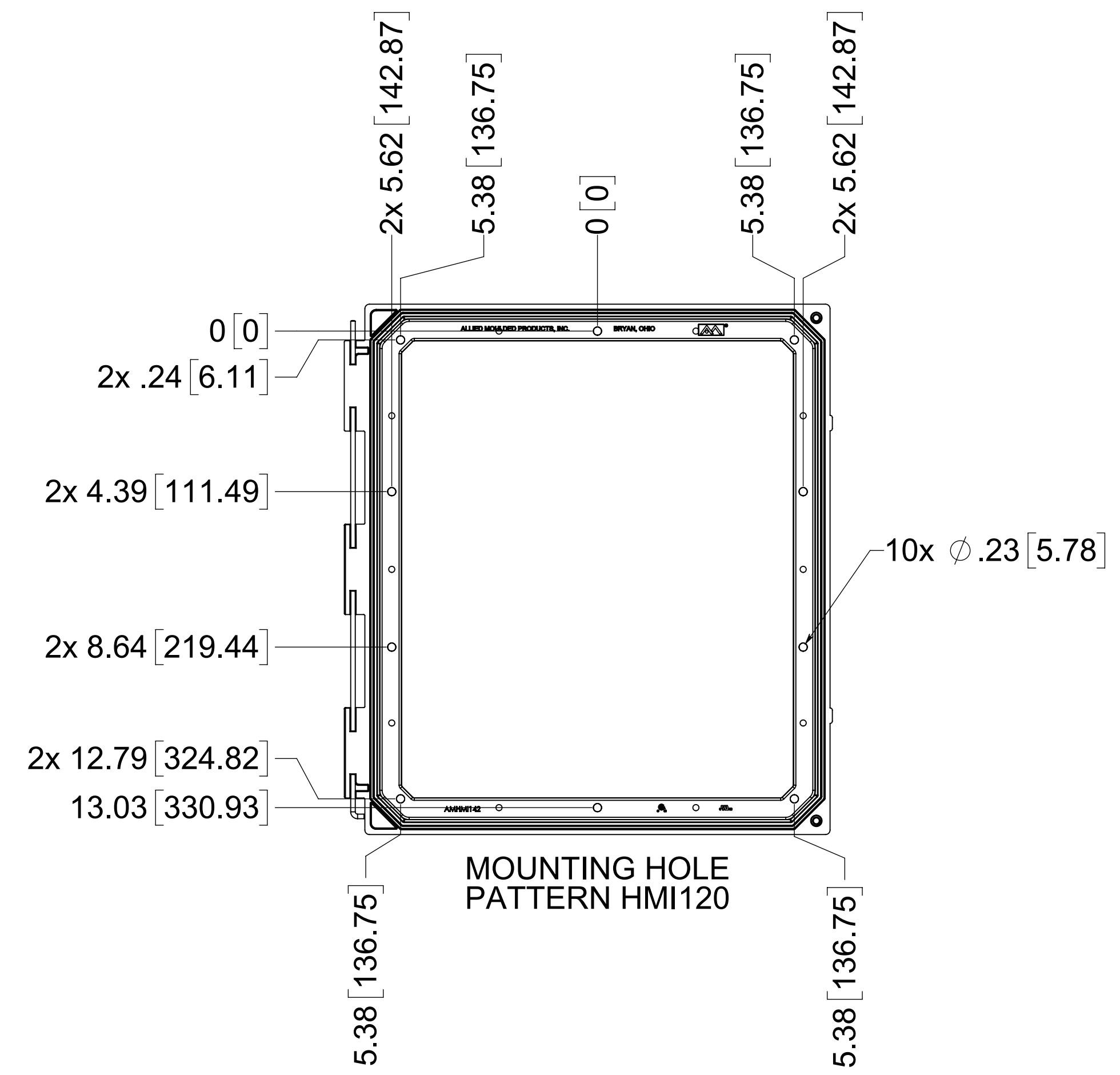
SECTION A-A



SECTION B-B



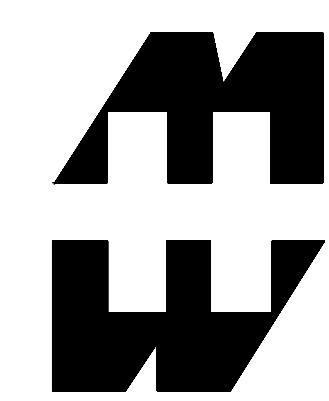
FRONT VIEW WITH COVER REMOVED



MOUNTING HOLE PATTERN HMI120

MATERIAL:
 BOX - INJECTION POLYCARBONATE
 STANDARD COVER - INJECTED POLYCARBONATE
 CLEAR COVER: INJECTED POLYCARBONATE

NOTE:
 1. DATA SUBJECT TO CHANGE
 2. WILL FIT ENCLOSURE SIZES 16 X14 AND LARGER



PART No. PJHMI1412CCHTP
 for more information visit www.hammfg.com
 Data subject to change without notice
 Drawing Not to Scale