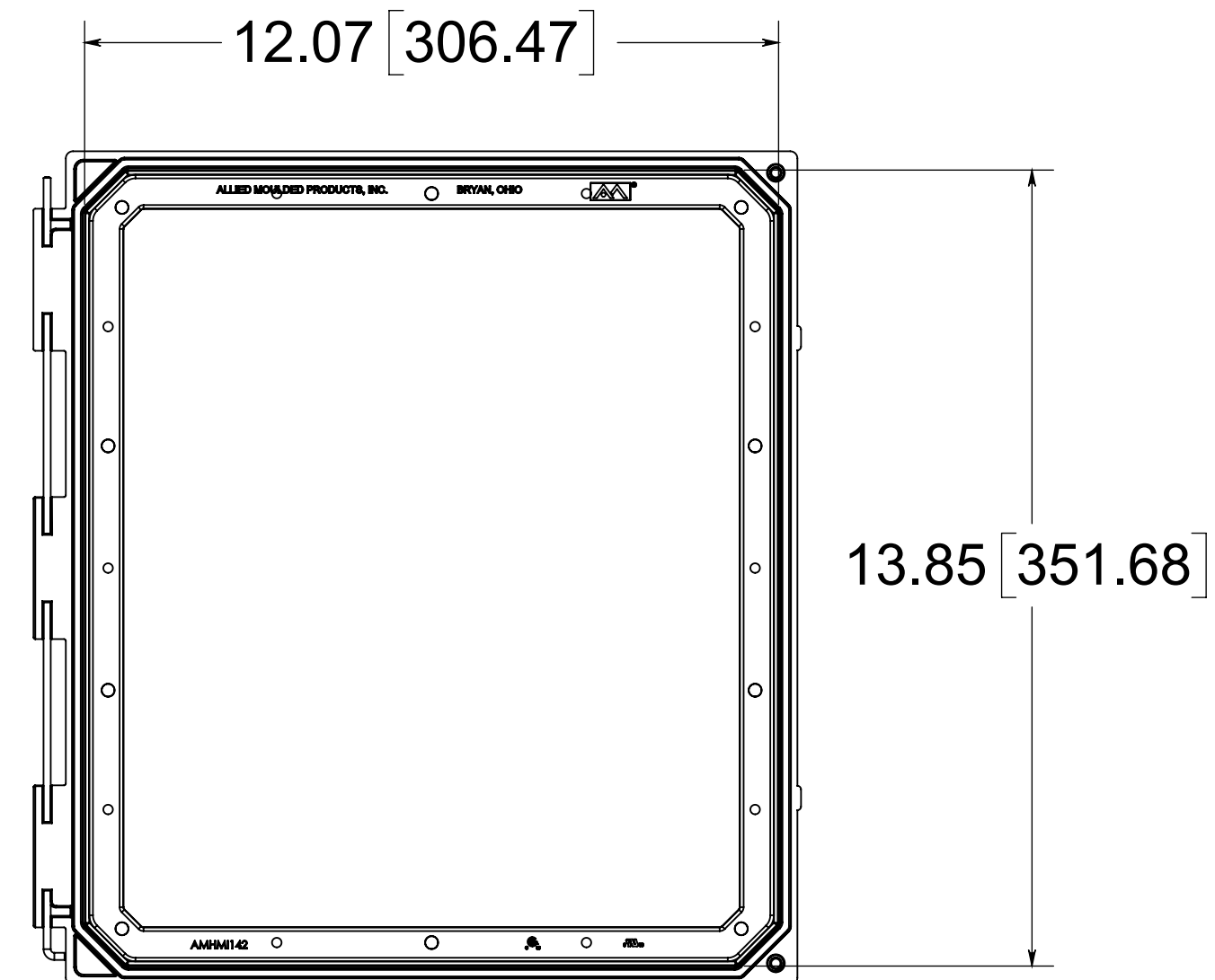
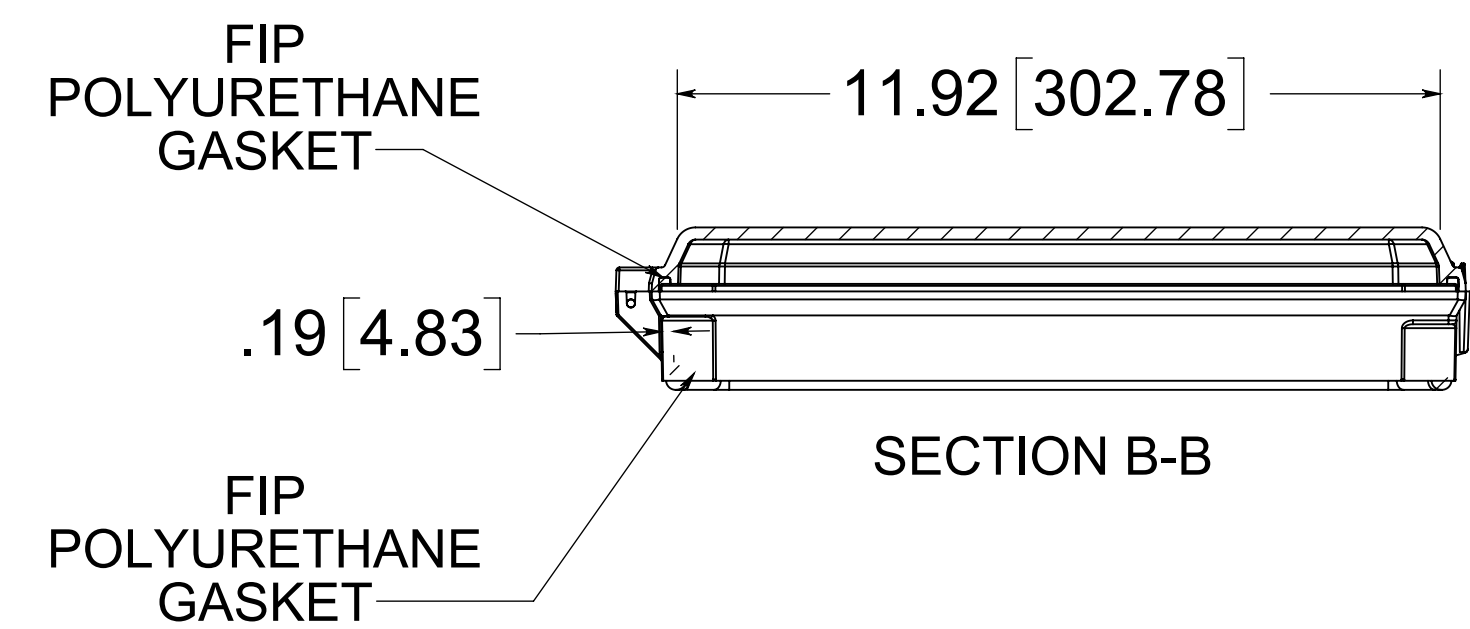


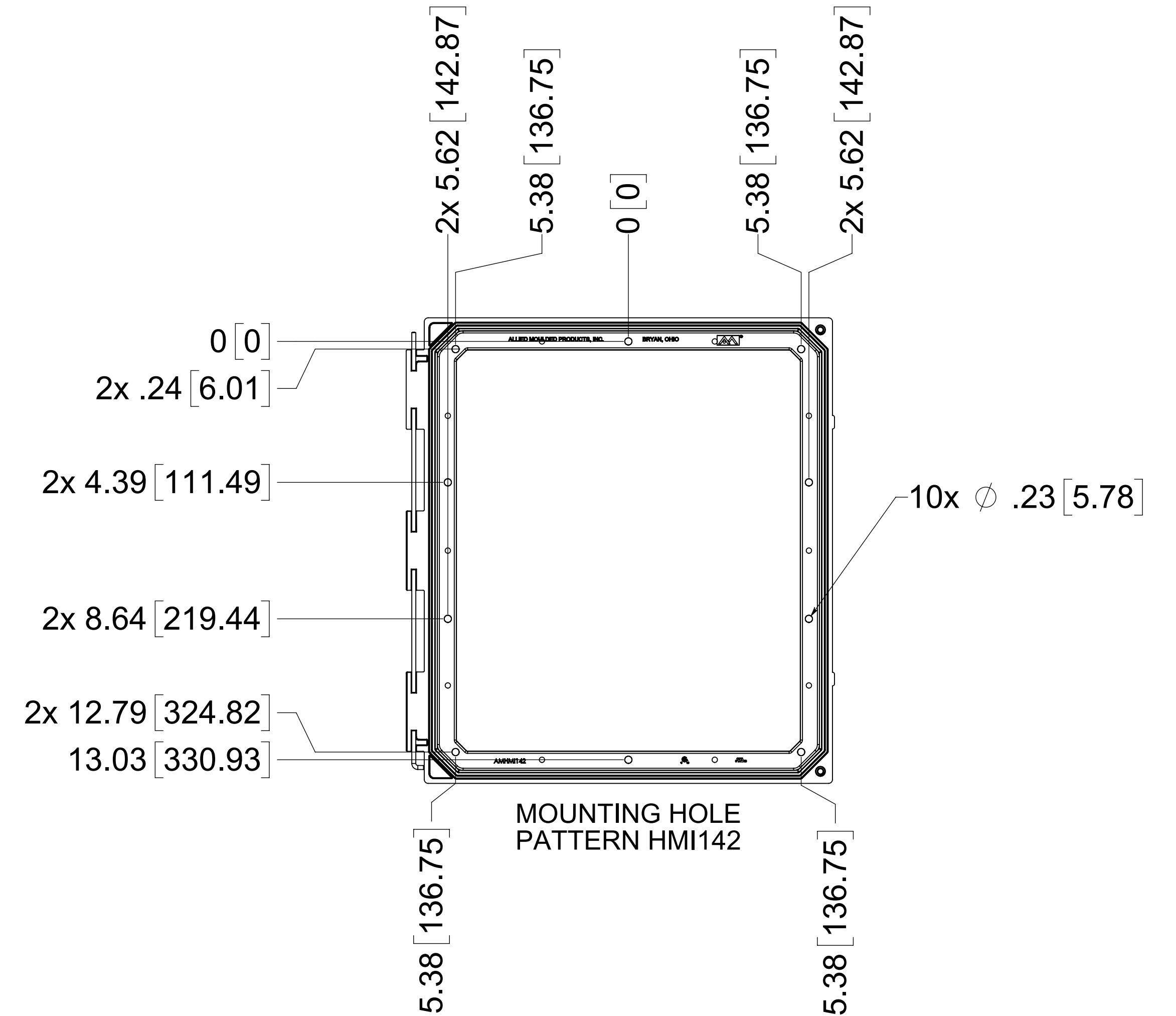
316 STAINLESS STEEL HINGE PIN

(2) EACH #10-32 BRASS INSERTS, AND 316 STAINLESS STEEL CAPTIVE COVER SCREWS WITH RETAINING O-RING

SECTION A-A



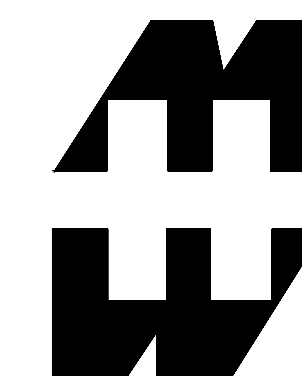
FRONT VIEW WITH COVER REMOVED



MOUNTING HOLE PATTERN HMI142

MATERIAL:
 BOX- INJECTION POLYCARBONATE
 STANDARD COVER- INJECTED POLYCARBONATE
 CLEAR COVER- INJECTED POLYCARBONATE

NOTE:
 1. DATA SUBJECT TO CHANGE
 2. WILL FIT ENCLOSURE
 SIZES 16 X14 AND LARGER



PART No. PJHMI1412H

for more information visit
www.hammfg.com
 Data subject to change without notice
 Drawing Not to Scale