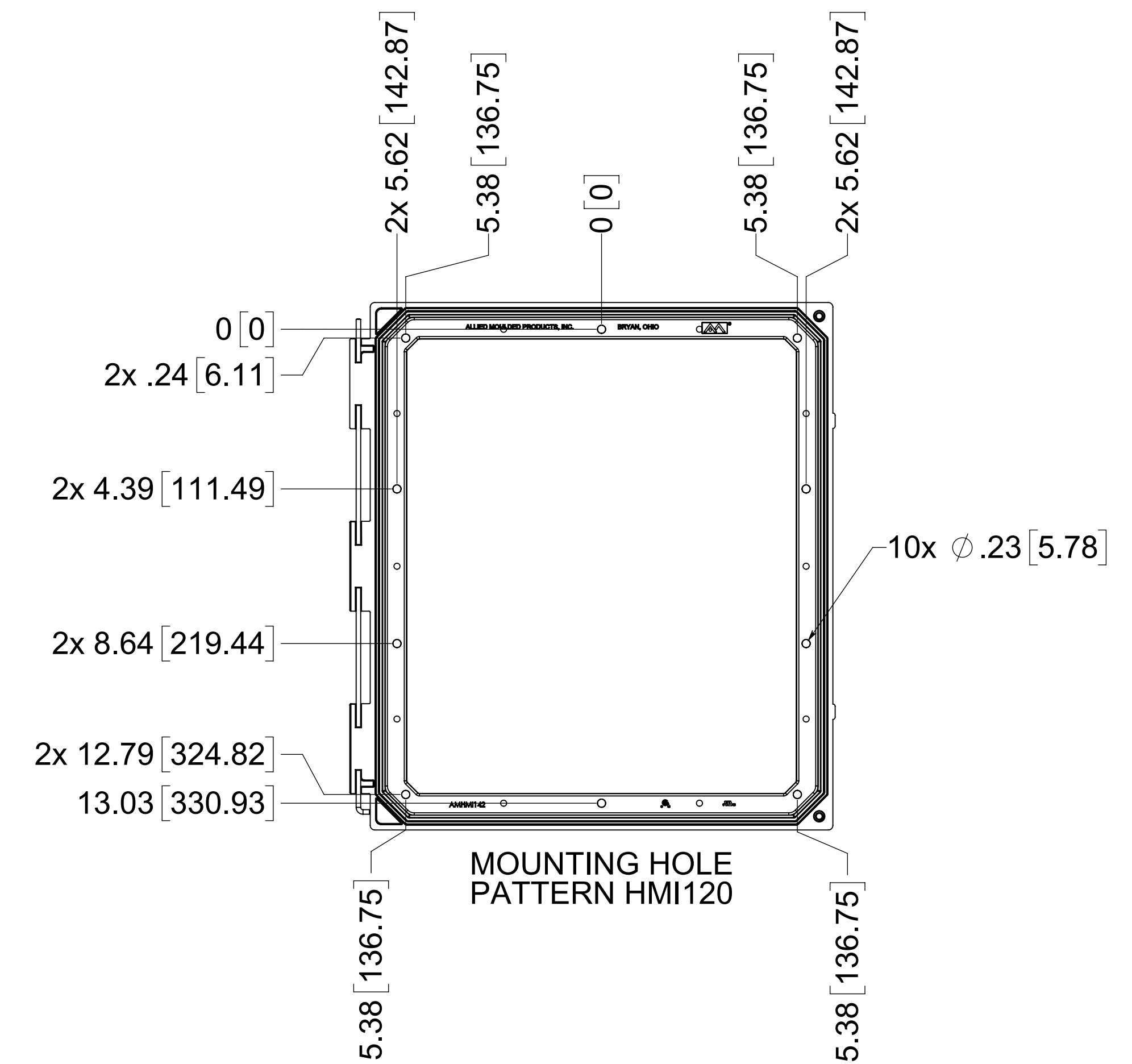
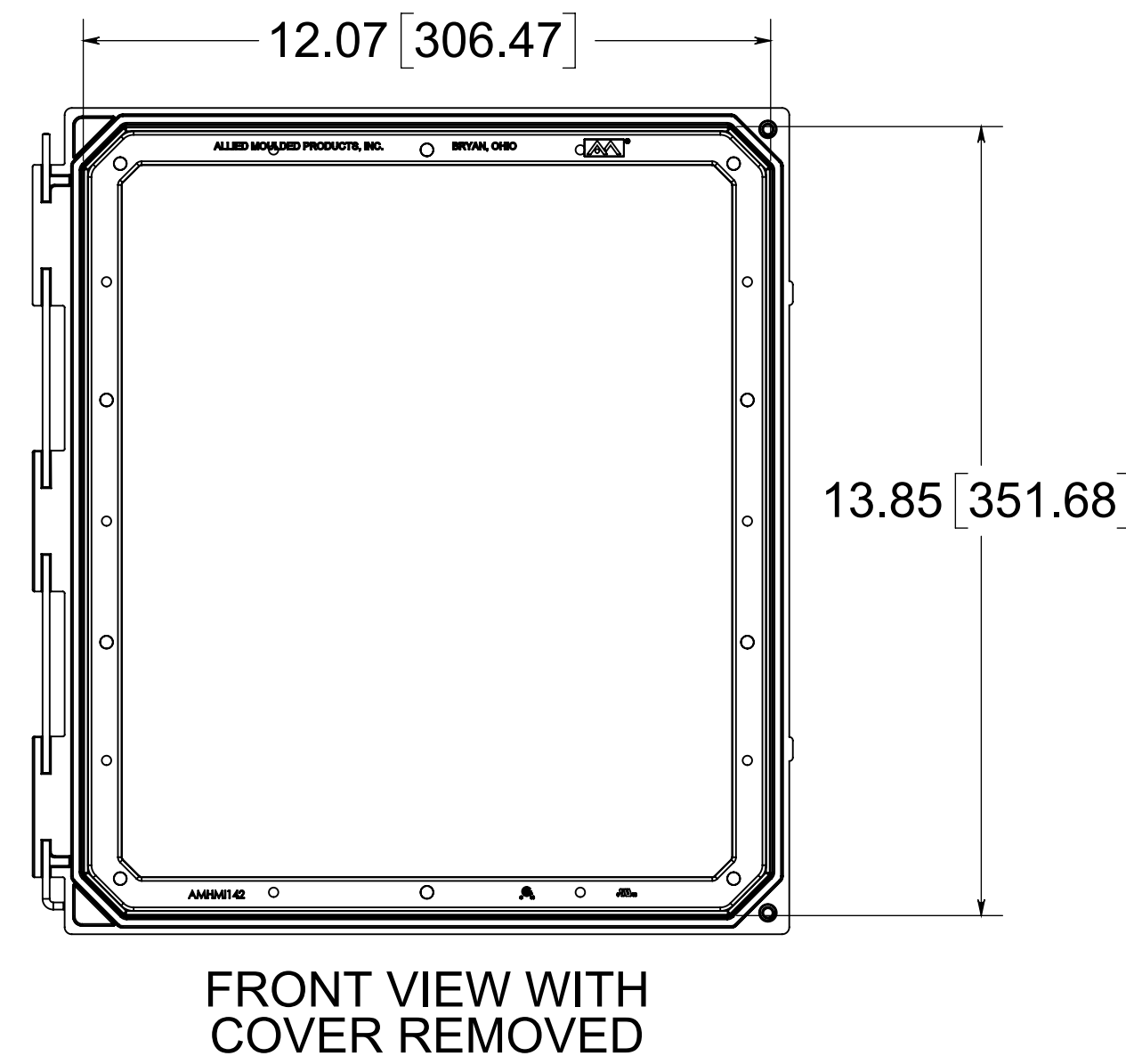
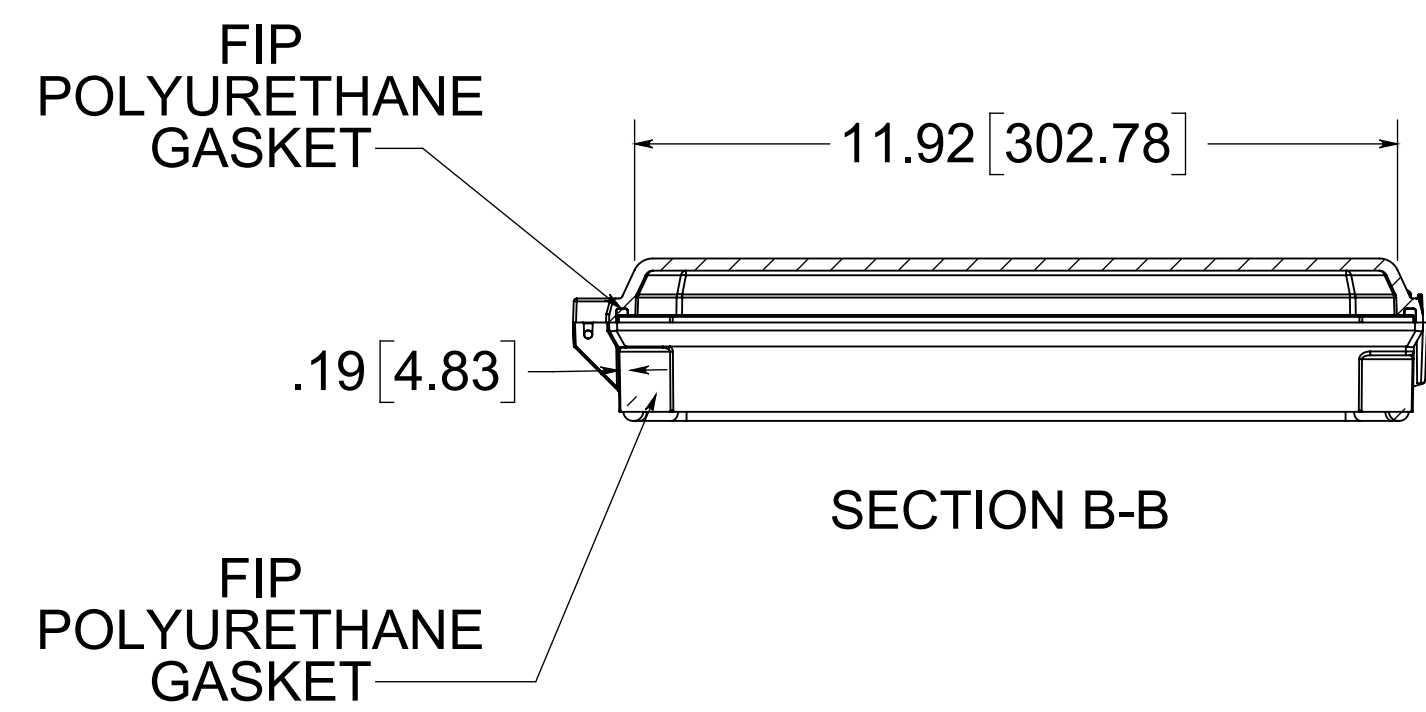
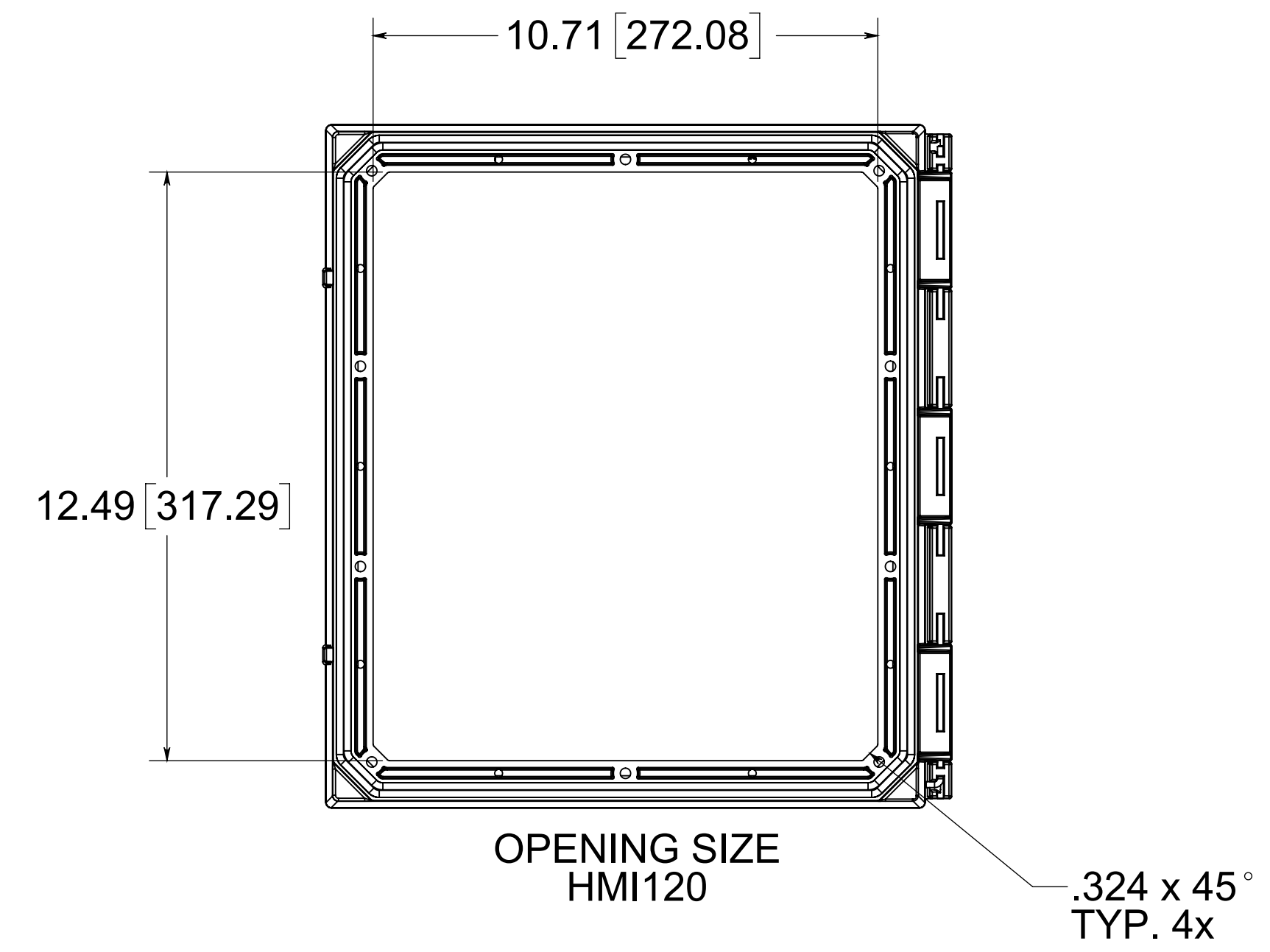
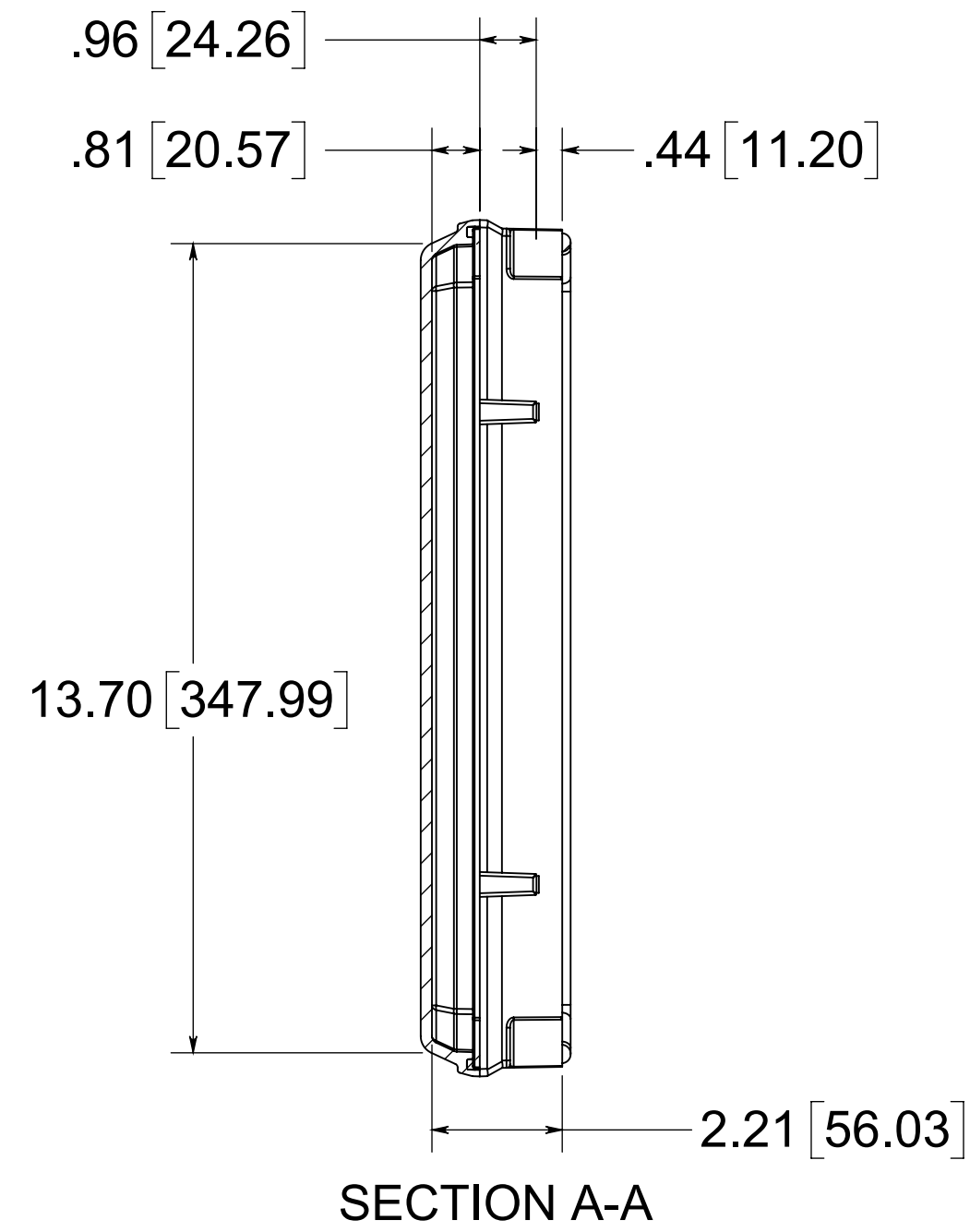


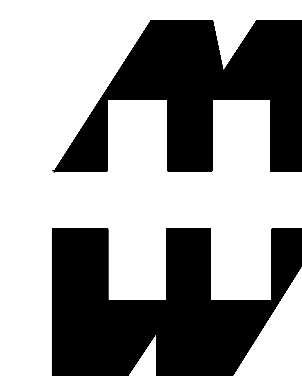
316 STAINLESS STEEL HINGE PIN

(2) EACH #10-32 BRASS INSERTS, AND 316 STAINLESS STEEL CAPTIVE COVER TAMPER PROOF SCREWS WITH RETAINING O-RING



MATERIAL:  
 BOX - INJECTION POLYCARBONATE  
 STANDARD COVER - INJECTED POLYCARBONATE  
 CLEAR COVER: INJECTED POLYCARBONATE

NOTE:  
 1. DATA SUBJECT TO CHANGE  
 2. WILL FIT ENCLOSURE SIZES 16 X14 AND LARGER



PART No. PJHMI1412HTP

for more information visit [www.hammfg.com](http://www.hammfg.com)  
 Data subject to change without notice  
 Drawing Not to Scale