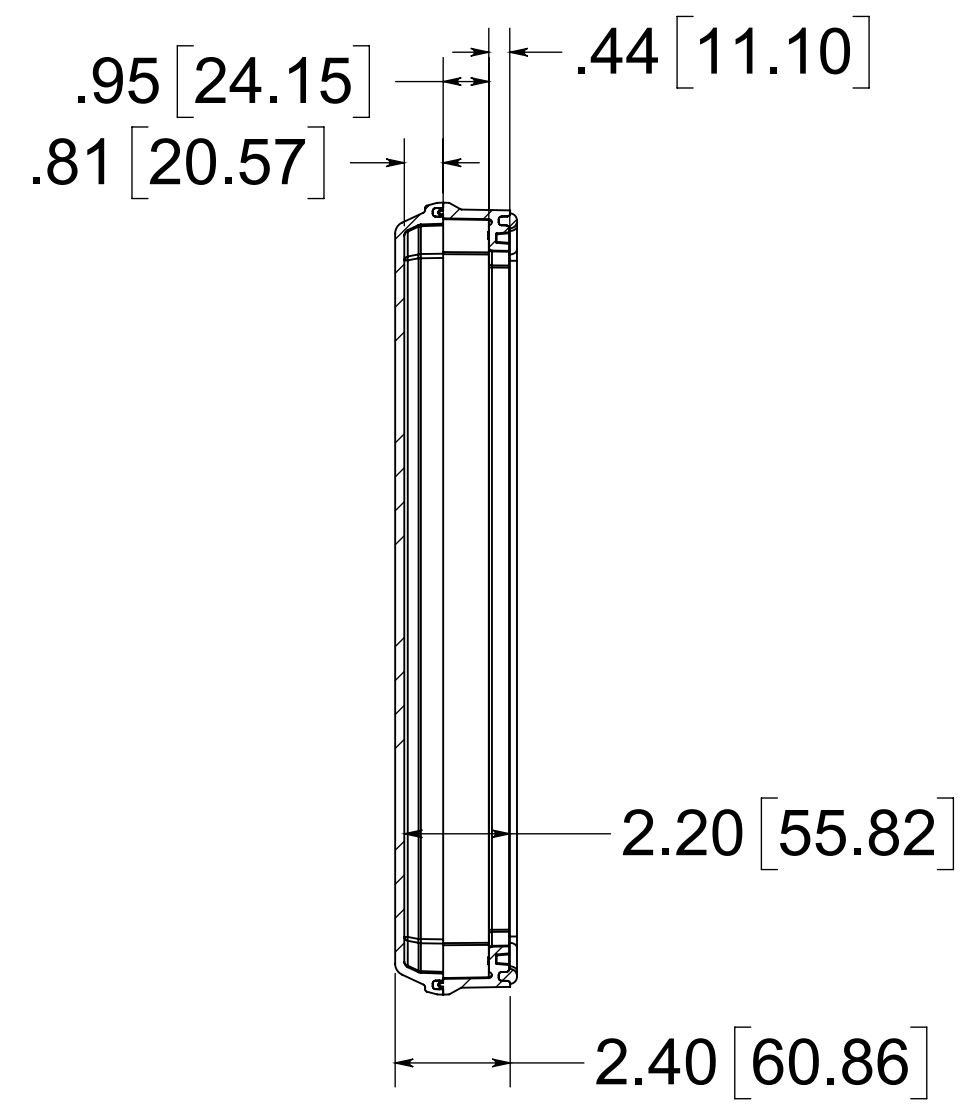
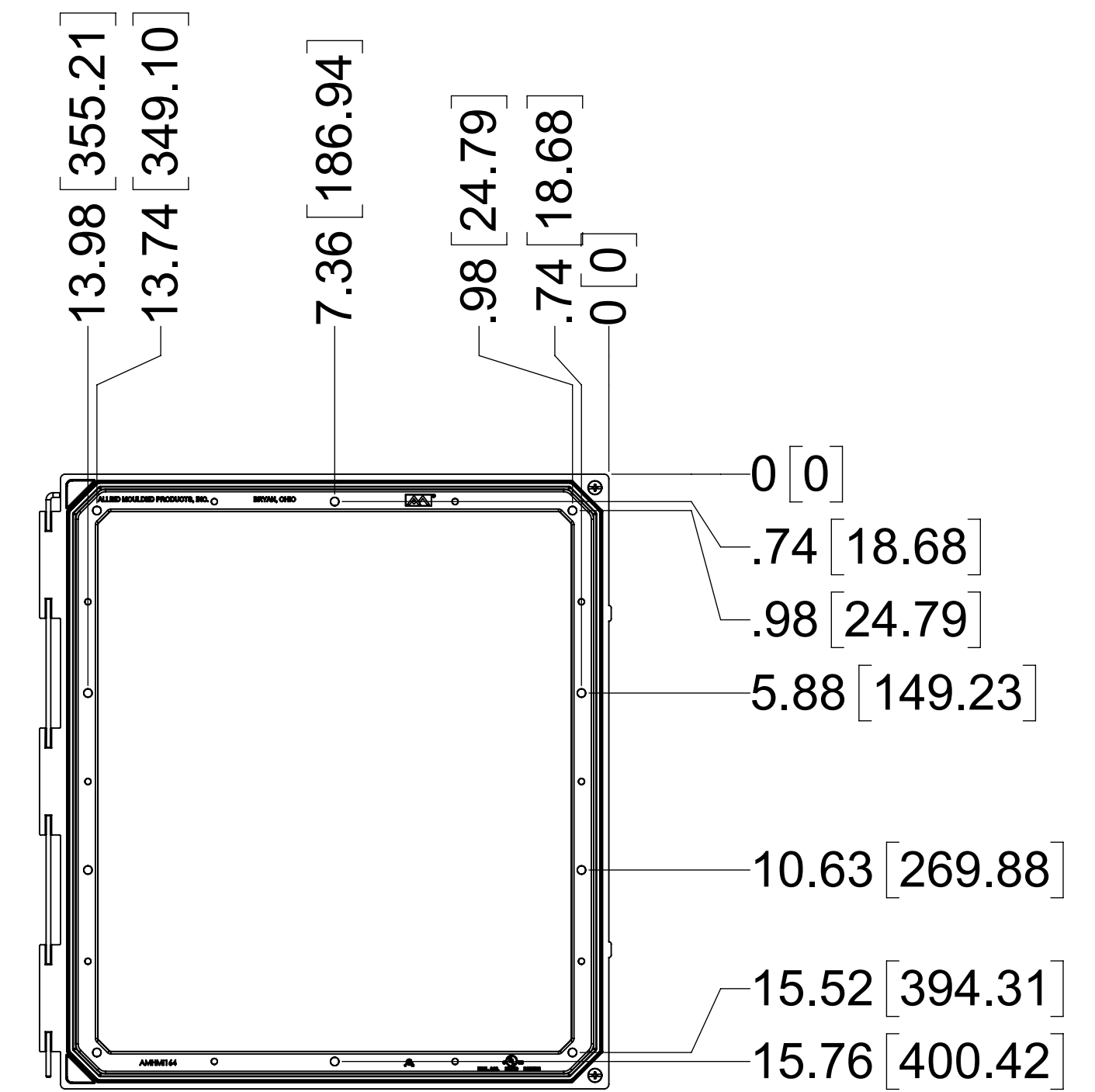


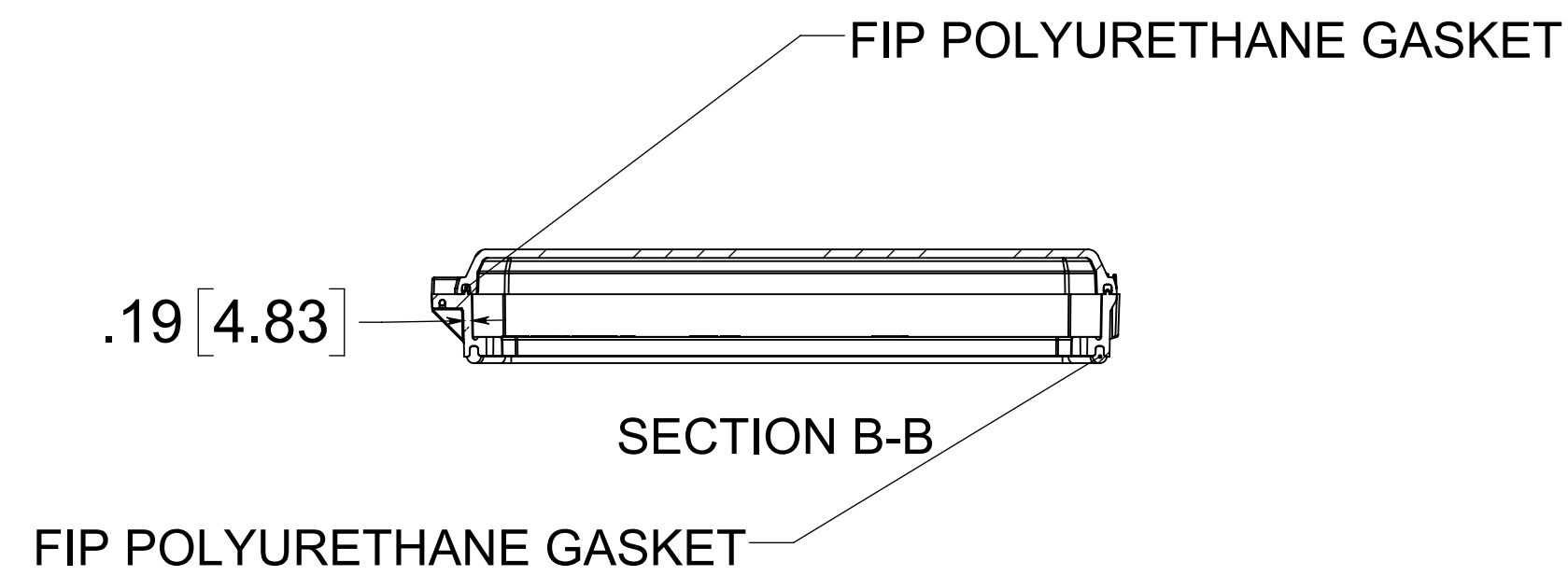
316 STAINLESS STEEL HINGE PIN
 (2) EACH #10-32 BRASS INSERTS, AND 316 STAINLESS STEEL CAPTIVE COVER SCREWS WITH O-RINGS



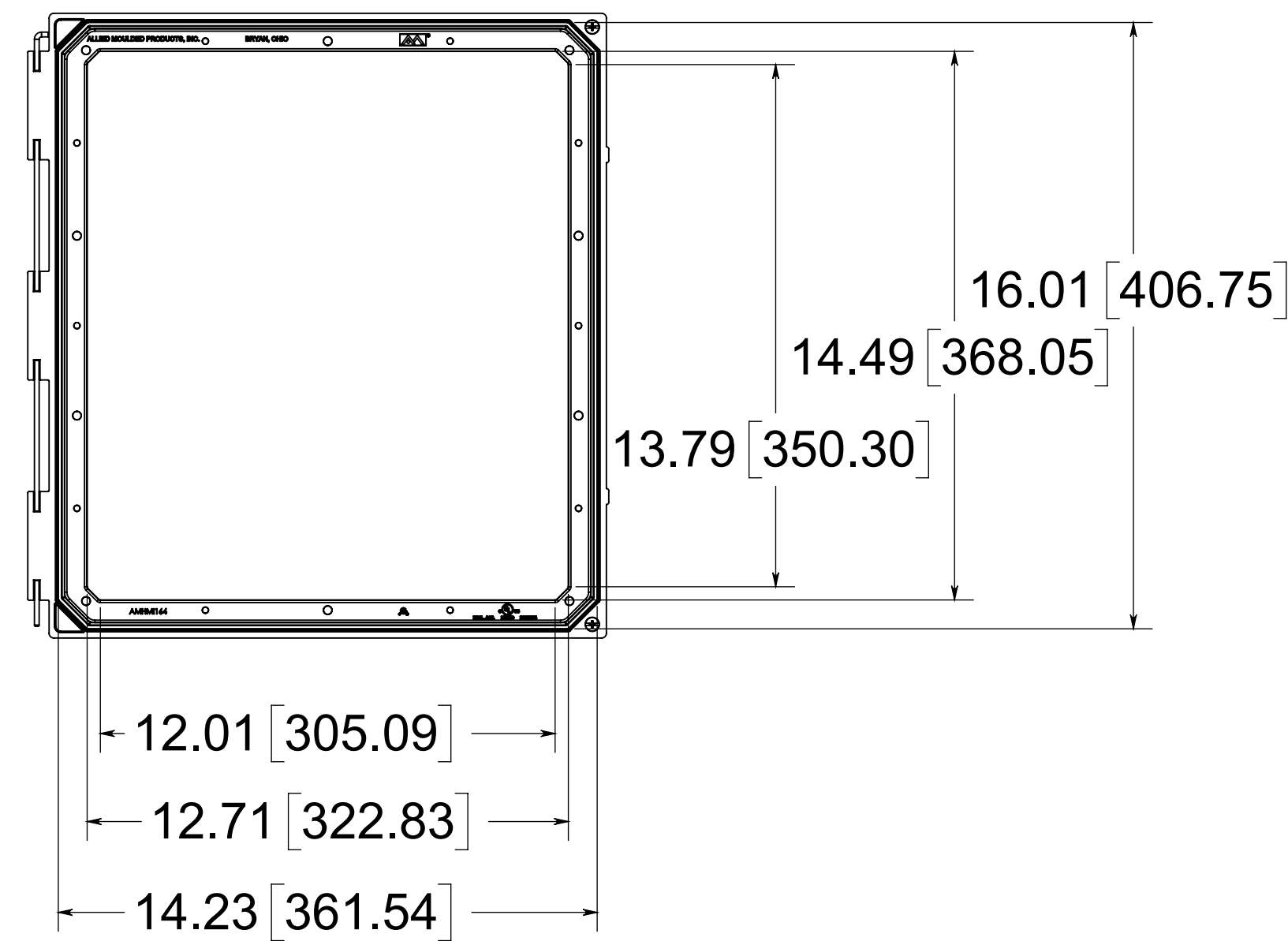
SECTION A-A



MOUNTING HOLE PATTERN HMI164

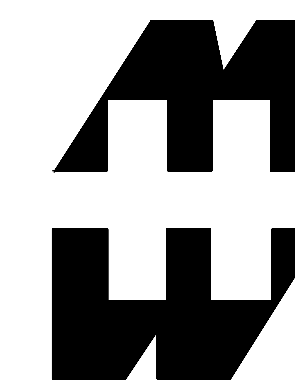


TOP VIEW WITH COVER OFF



MATERIAL:
 BOX-INJECTION POLYCARBONATE
 STANDARD COVER-INJECTION POLYCARBONATE
 CLEAR COVER- INJECTION POLYCARBONATE

NOTE:
 1. DATA SUBJECT TO CHANGE
 2. WILL FIT ENCLOSURE SIZES 18 X16 AND LARGER



PART No. PJHMI1614CCH

for more information visit
www.hammfg.com
 Data subject to change without notice

Drawing Not to Scale