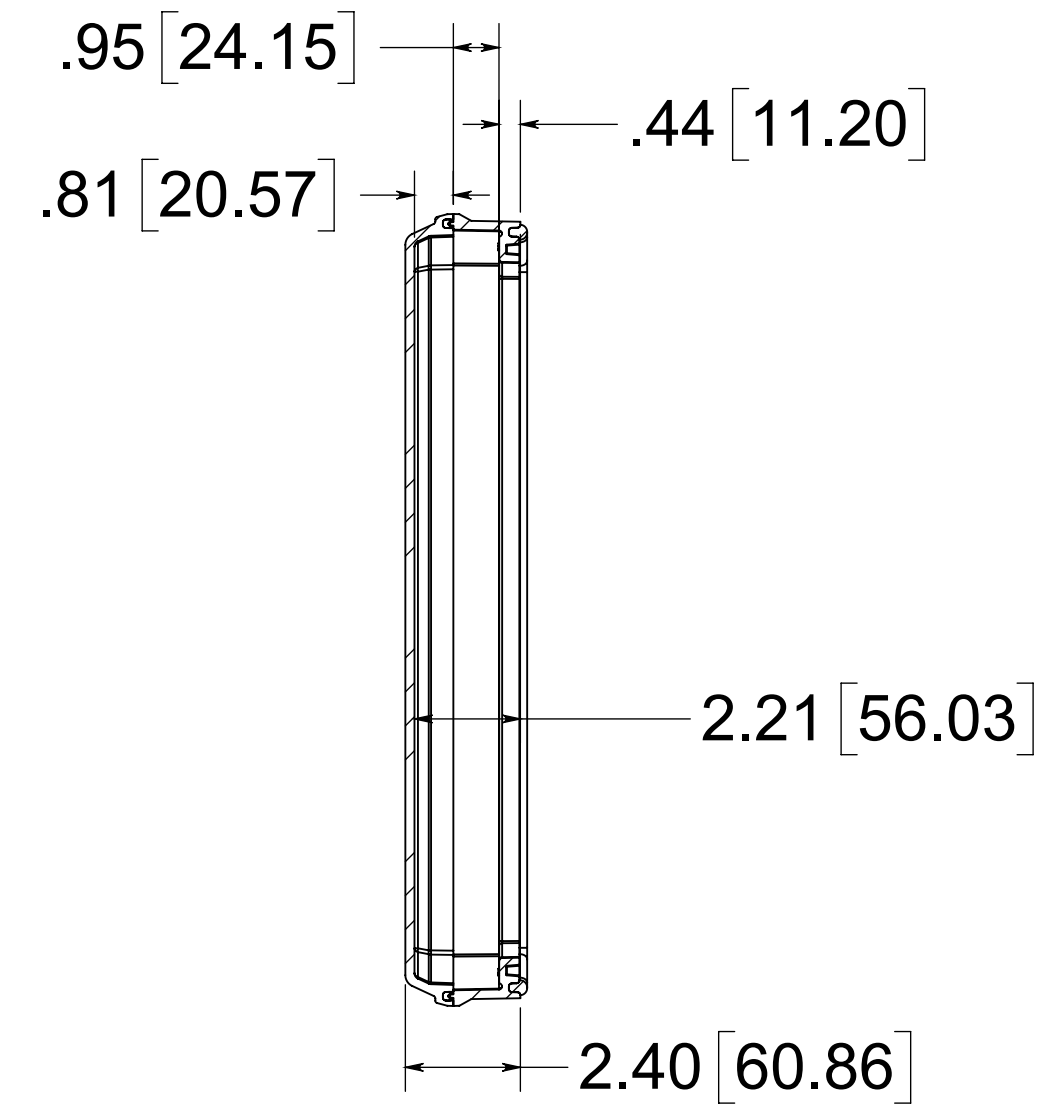
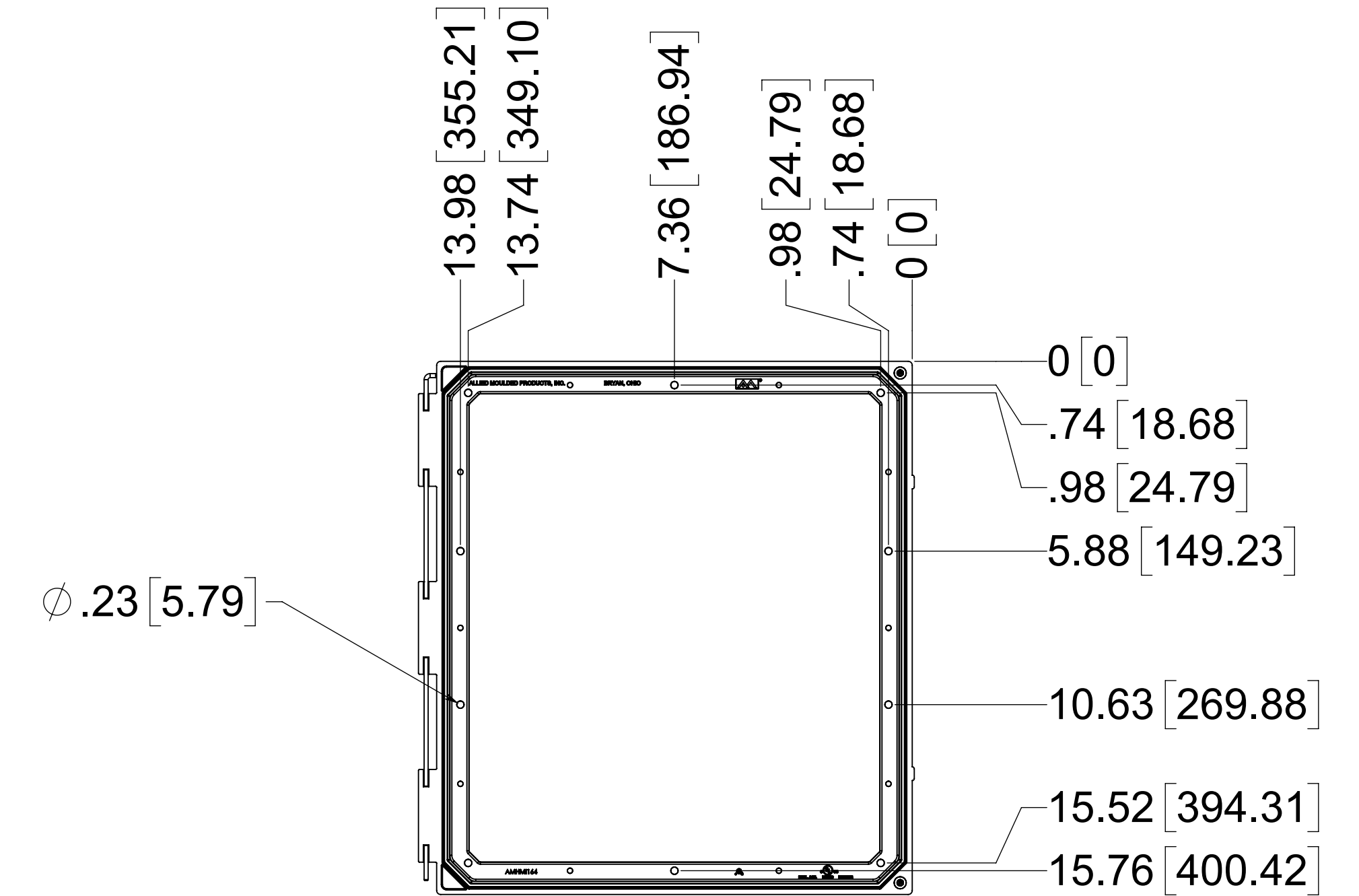


316 STAINLESS STEEL HINGE PIN

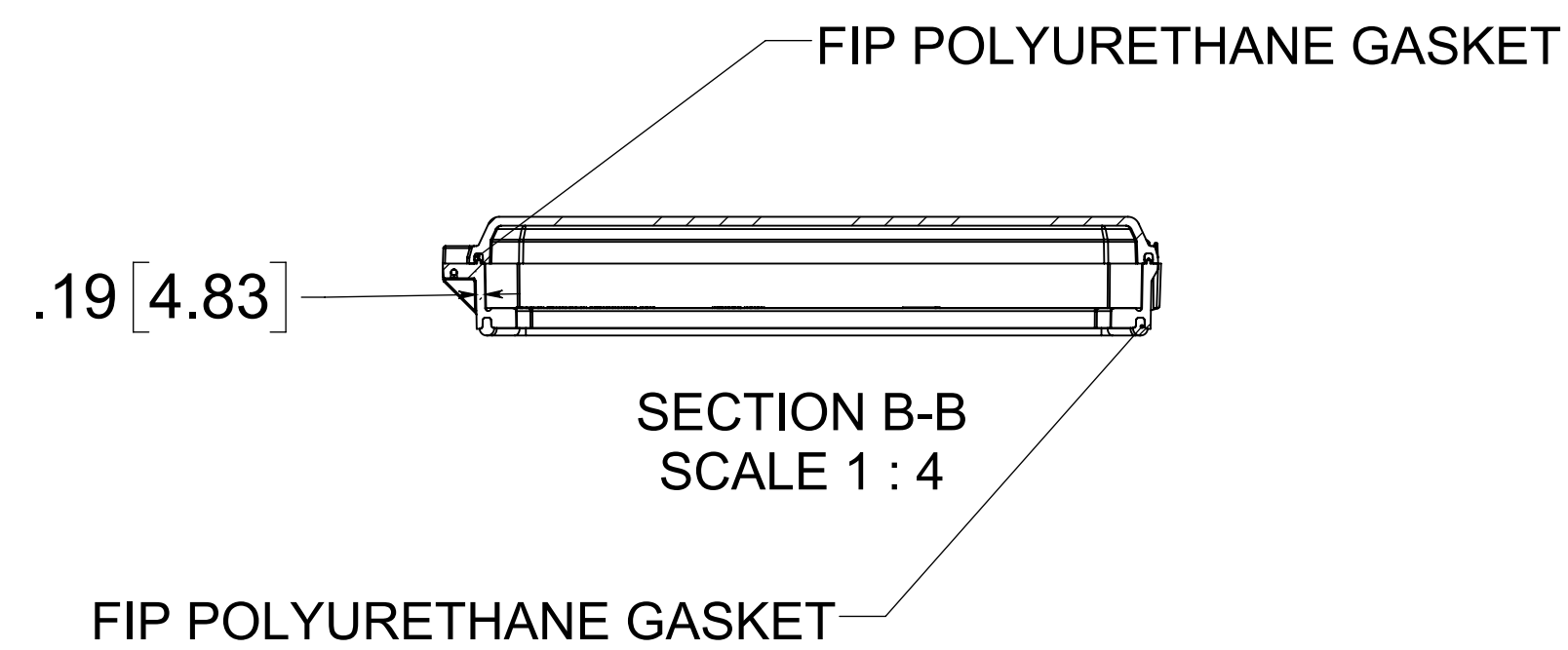
(2) EACH #10-32 BRASS INSERTS, AND 316 STAINLESS STEEL CAPTIVE COVER TAMPER PROOF SCREWS WITH RETAINING O-RINGS



SECTION A-A
SCALE 1 : 4

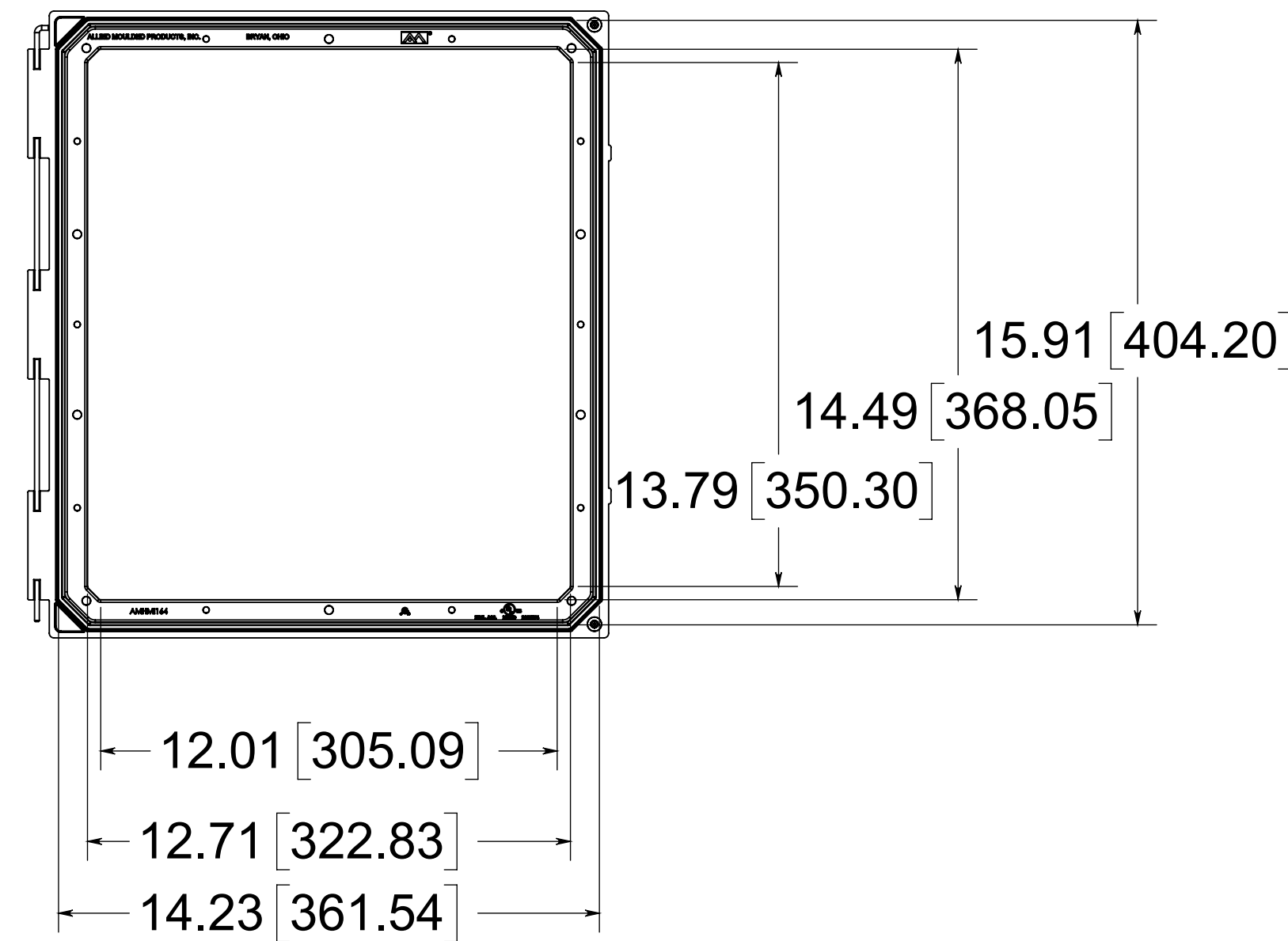


MOUNTING HOLES
PATTERN HMI164



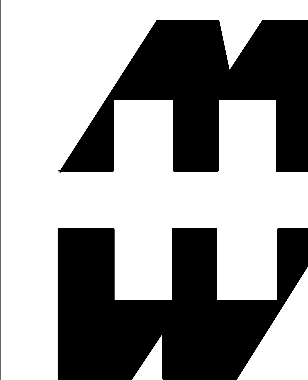
SECTION B-B
SCALE 1 : 4

TOP VIEW WITH
COVER OFF



MATERIAL:
BOX-INJECTION POLYCARBONATE
STANDARD COVER- INJECTION POLYCARBONATE
CLEAR COVER- INJECTION POLYCARBONATE

NOTE:
1. DATA SUBJECT TO CHANGE
2. WILL FIT ENCLOSURE
SIZES 18 X16 AND LARGER



PART No. PJHMI1614CCHTP

for more information visit
www.hammfg.com
Data subject to change without notice

Drawing Not to Scale