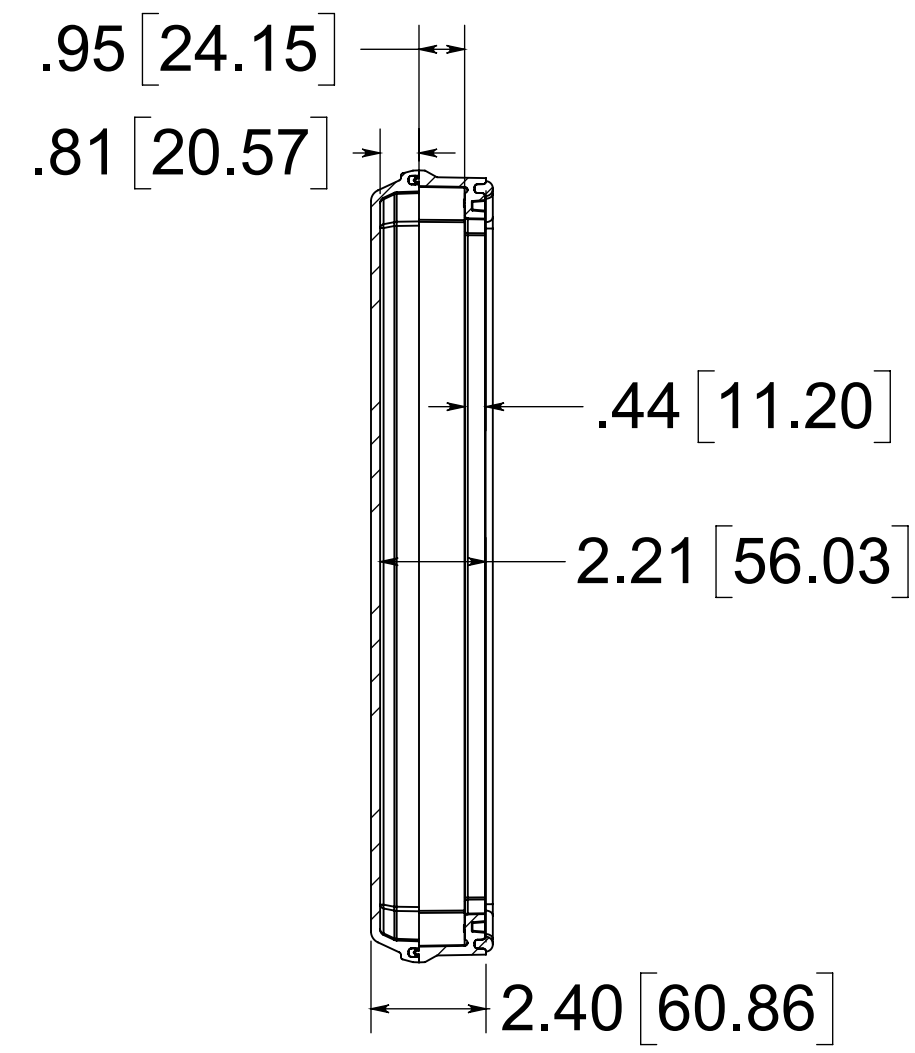
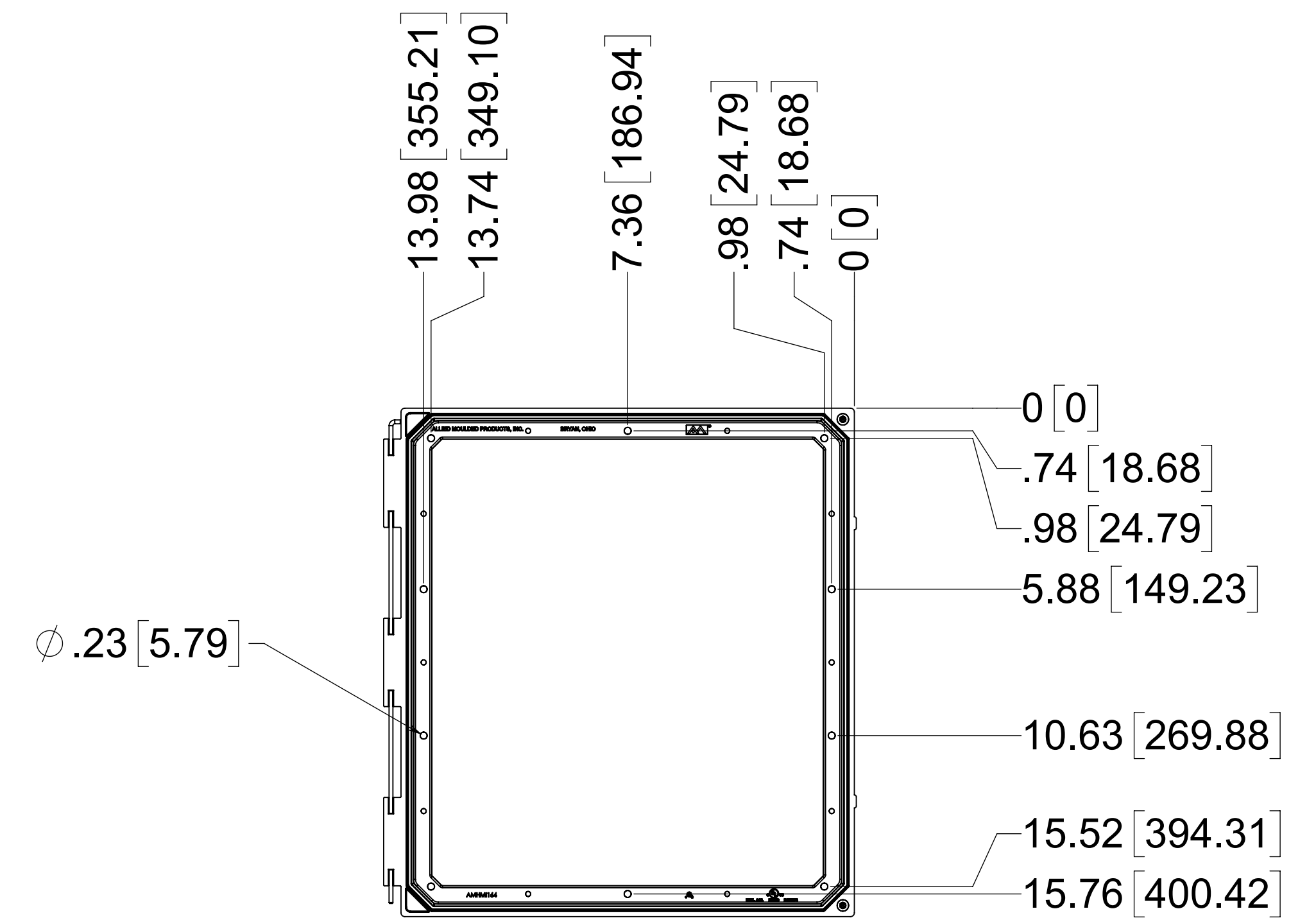


316 STAINLESS STEEL HINGE PIN

(2) EACH #10-32 BRASS INSERTS, AND 316 STAINLESS STEEL CAPTIVE COVER TAMPER PROOF SCREWS RETAINING O-RINGS

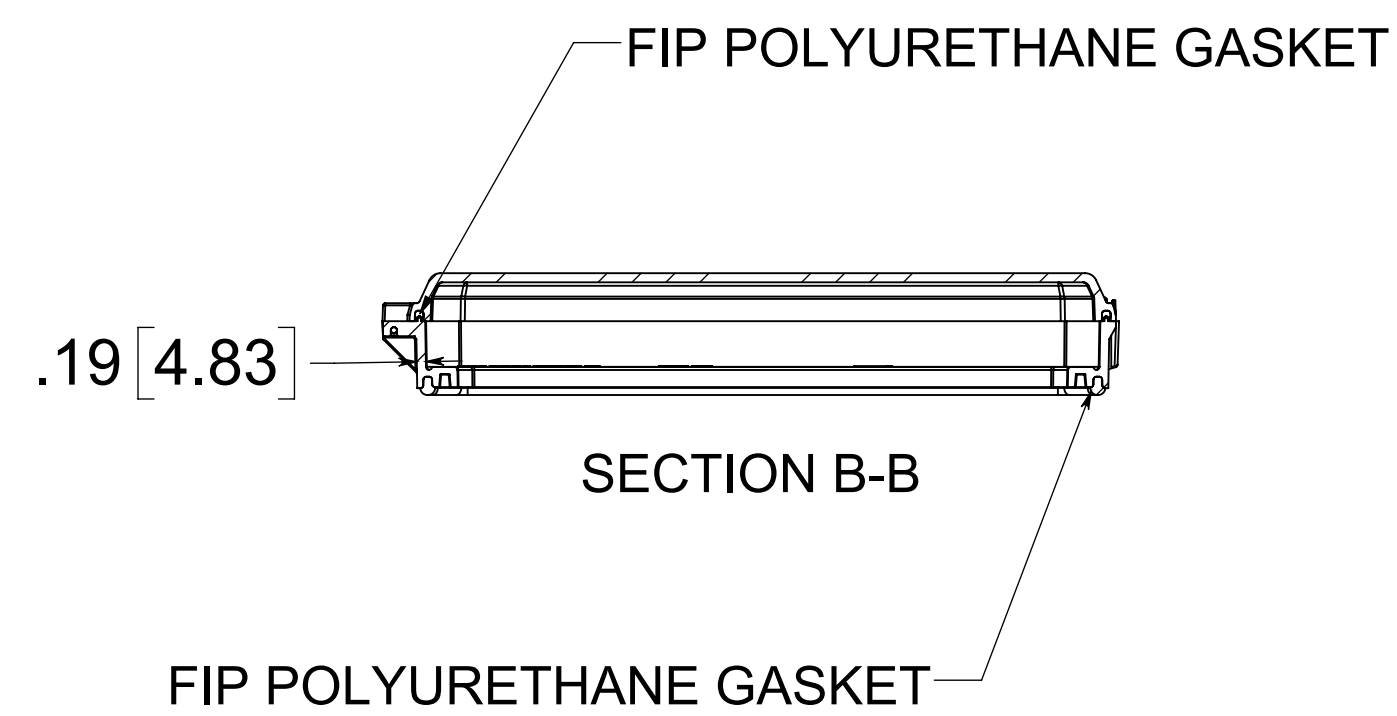
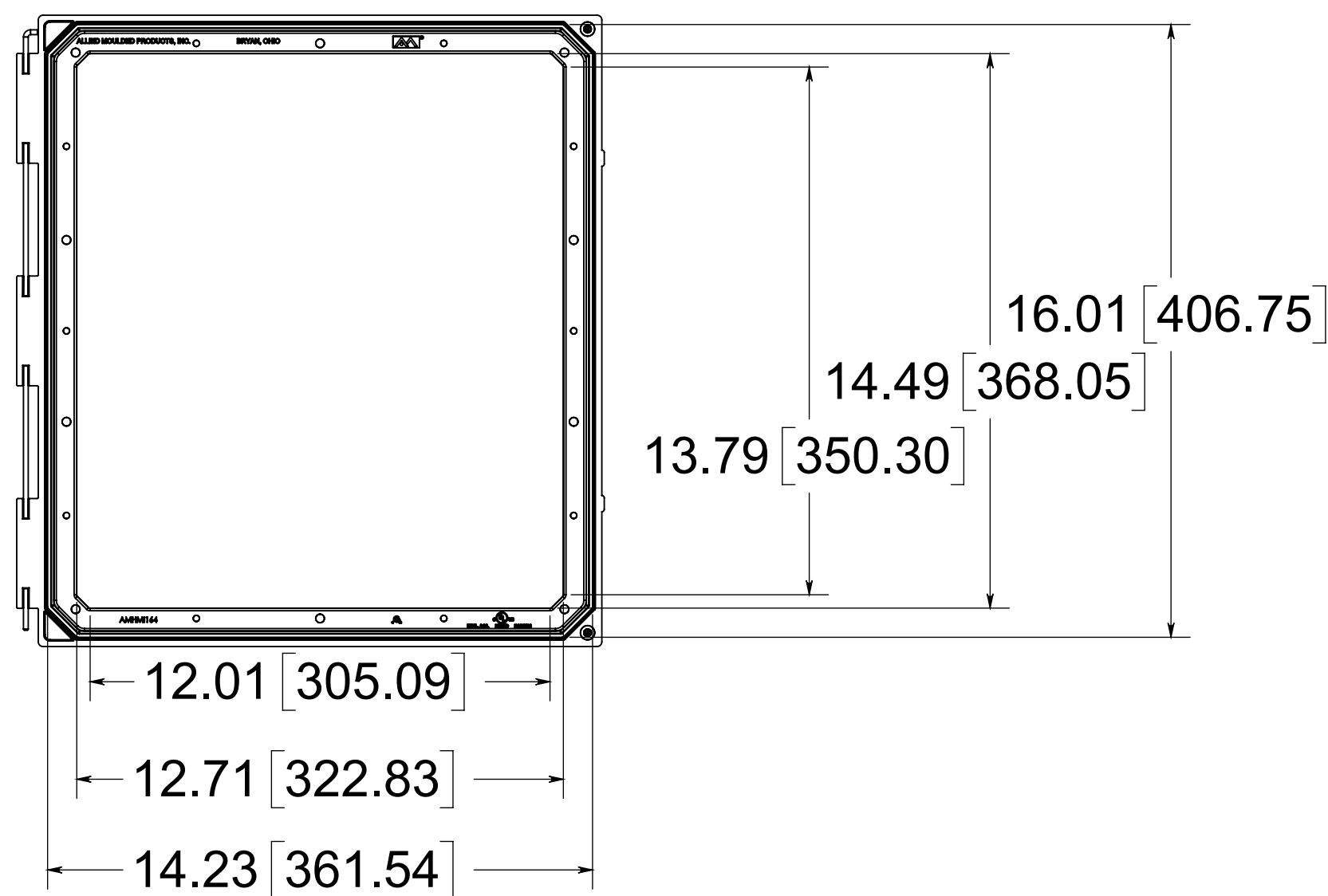


SECTION A-A



MOUNTING HOLE PATTERN HMI164

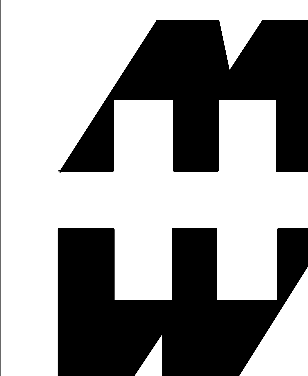
TOP VIEW WITH COVER OFF



SECTION B-B

MATERIAL:  
 BOX -INJECTION POLYCARBONATE  
 STANDARD COVER- INJECTION POLYCARBONATE  
 CLEAR COVER- INJECTION POLYCARBONATE

NOTE:  
 1. DATA SUBJECT TO CHANGE  
 2. WILL FIT ENCLOSURE  
 SIZES 18 X16 AND LARGER



PART No. PJHMI1614HTP

for more information visit  
[www.hammfg.com](http://www.hammfg.com)  
 Data subject to change without notice

Drawing Not to Scale