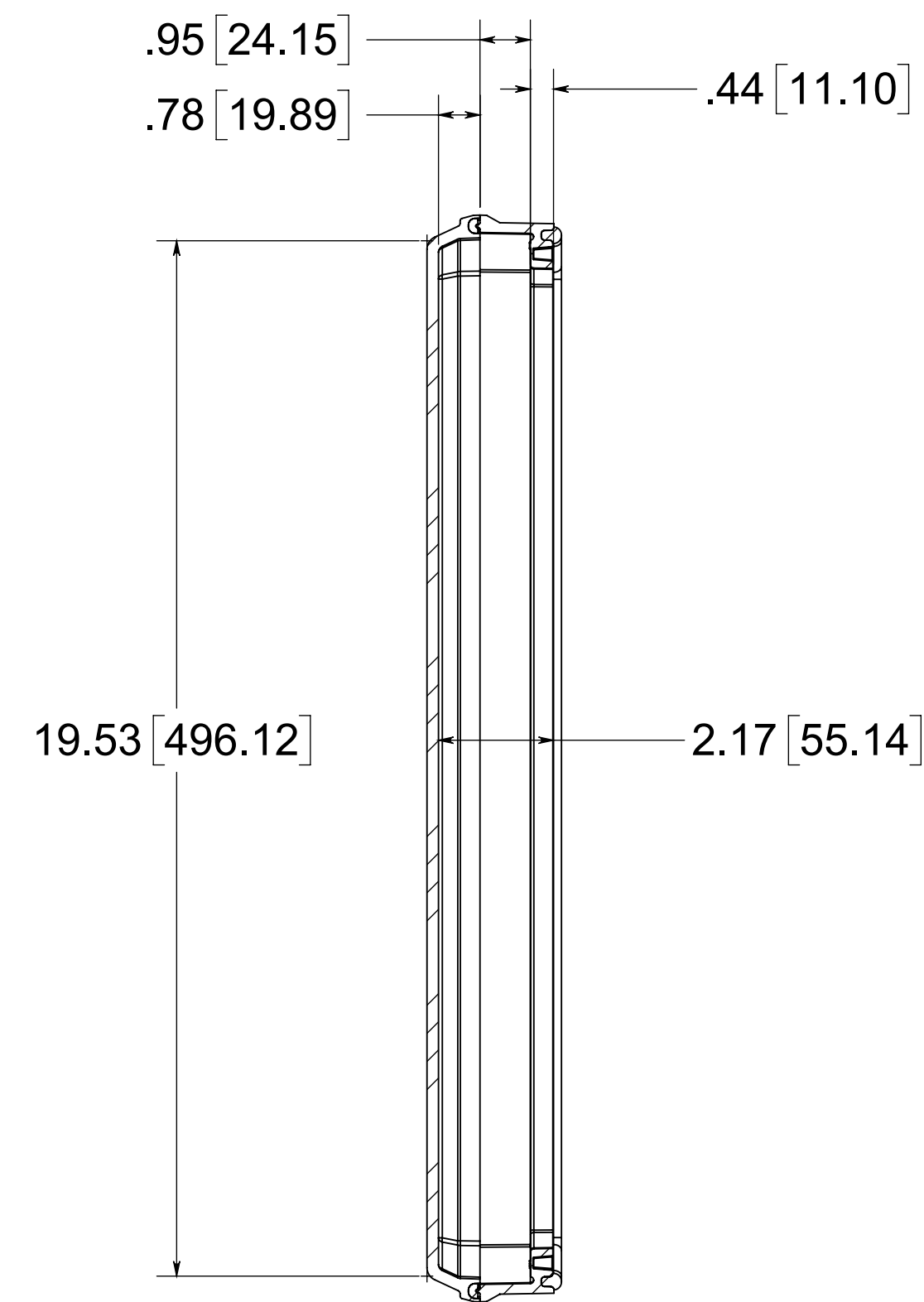
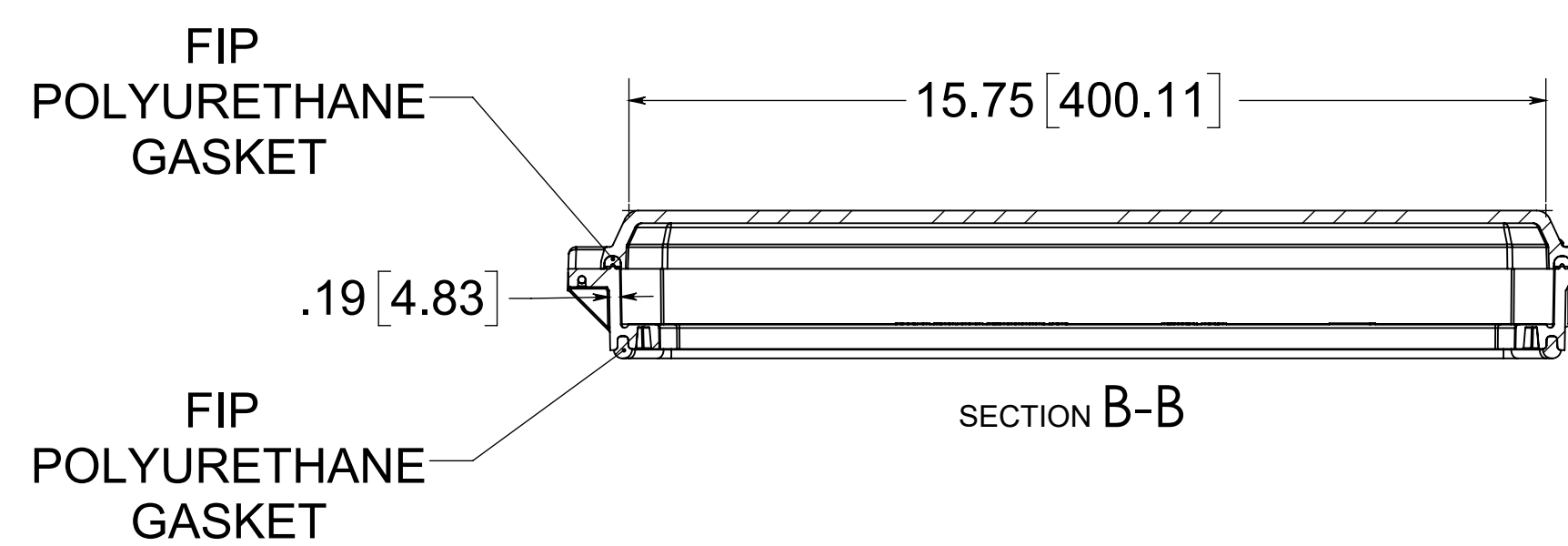
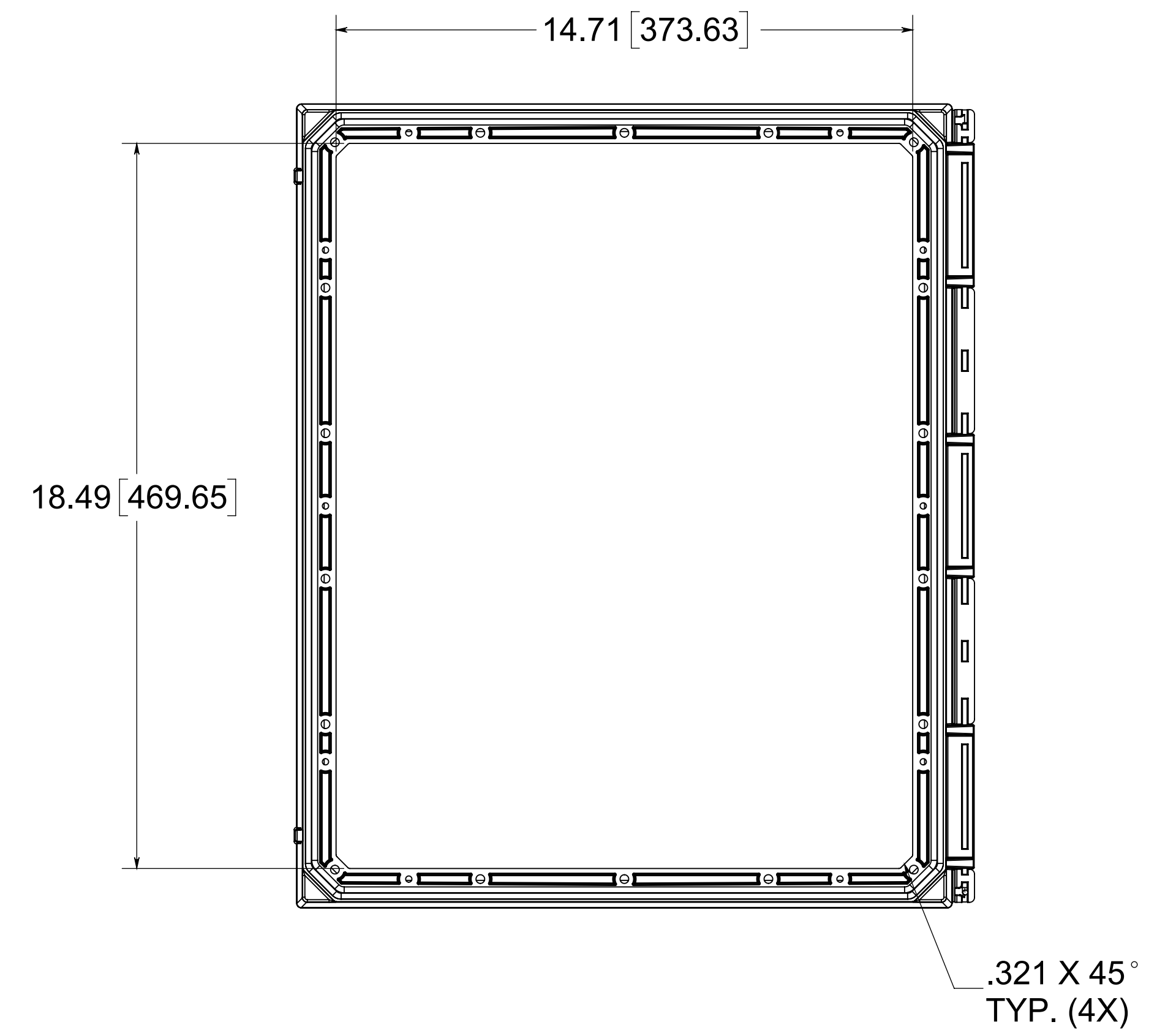


316 STAINLESS STEEL HINGE PIN

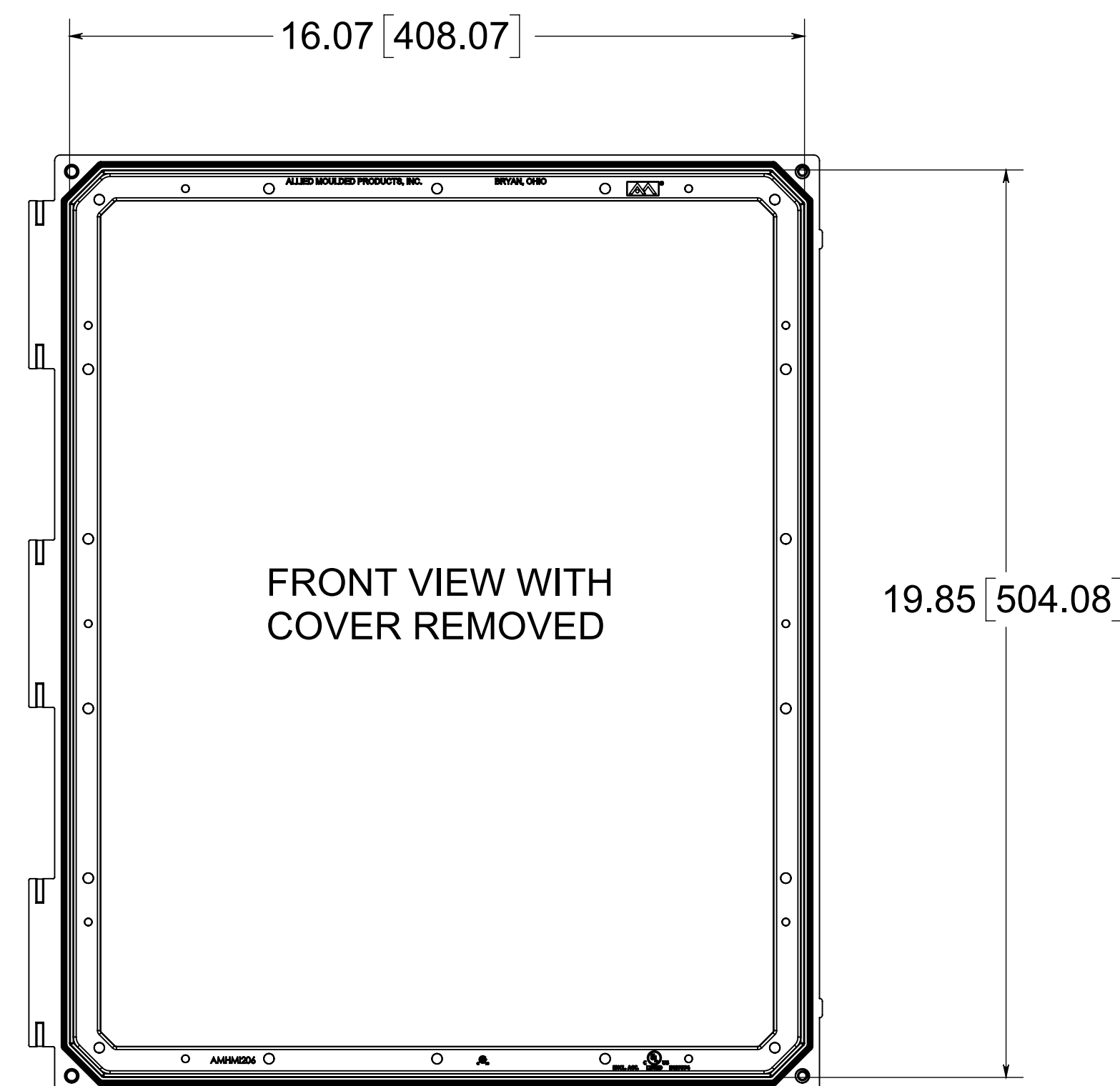
(2) EACH #10-32 BRASS INSERTS AND 316 STAINLESS STEEL CAPTIVE COVER SCREWS WITH RETAINING O-RING



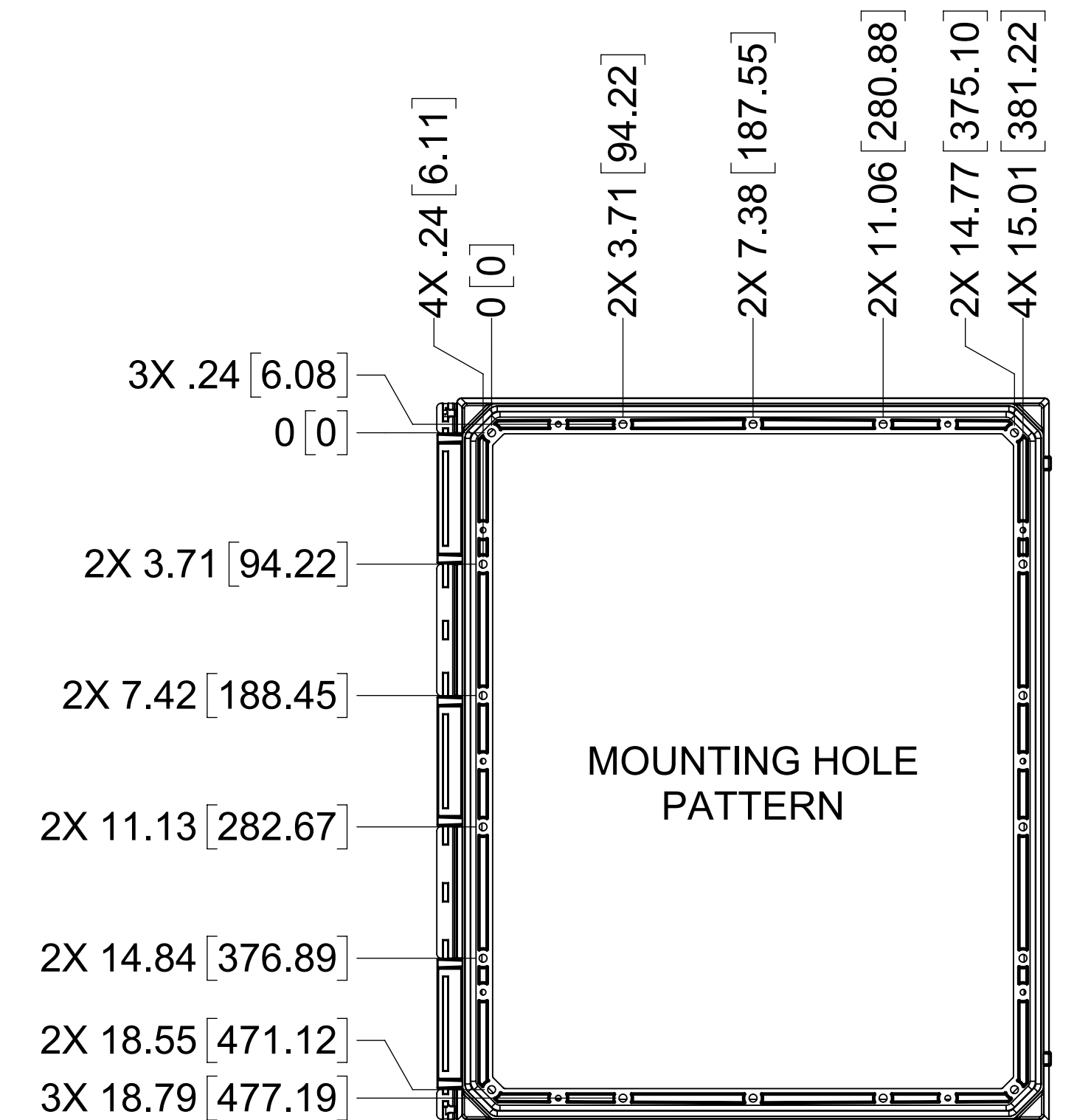
SECTION A-A



SECTION B-B



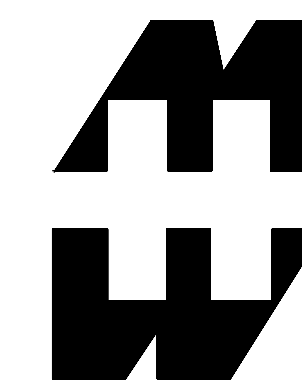
FRONT VIEW WITH COVER REMOVED



MOUNTING HOLE PATTERN

MATERIAL:  
 BOX - INJECTED POLYCARBONATE  
 STANDARD COVER - INJECTED POLYCARBONATE  
 CLEAR COVER - INJECTED POLYCARBONATE

NOTES:  
 1. DATA SUBJECT TO CHANGE WITHOUT NOTICE  
 2. WILL FIT ALLIED MOULDED ENCLOSURE SIZES 24 X 24 AND LARGER



PART No.  
 PJHMI2016CCHTP  
 for more information visit  
[www.hammfg.com](http://www.hammfg.com)  
 Data subject to change without notice  
 Drawing Not to Scale