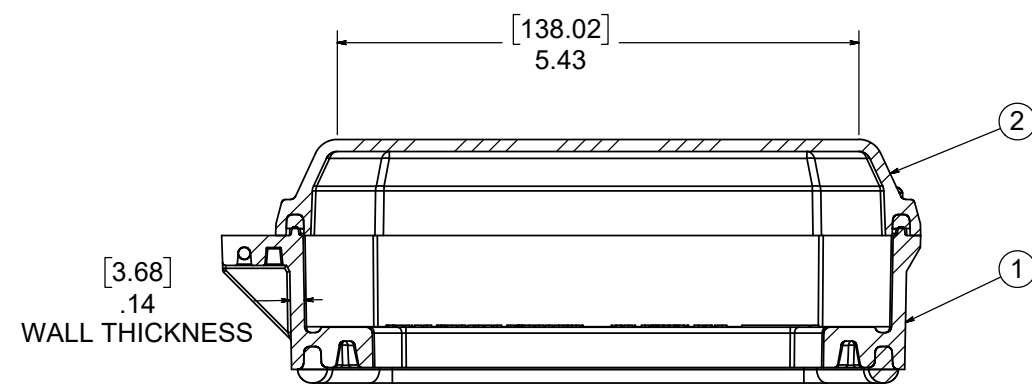
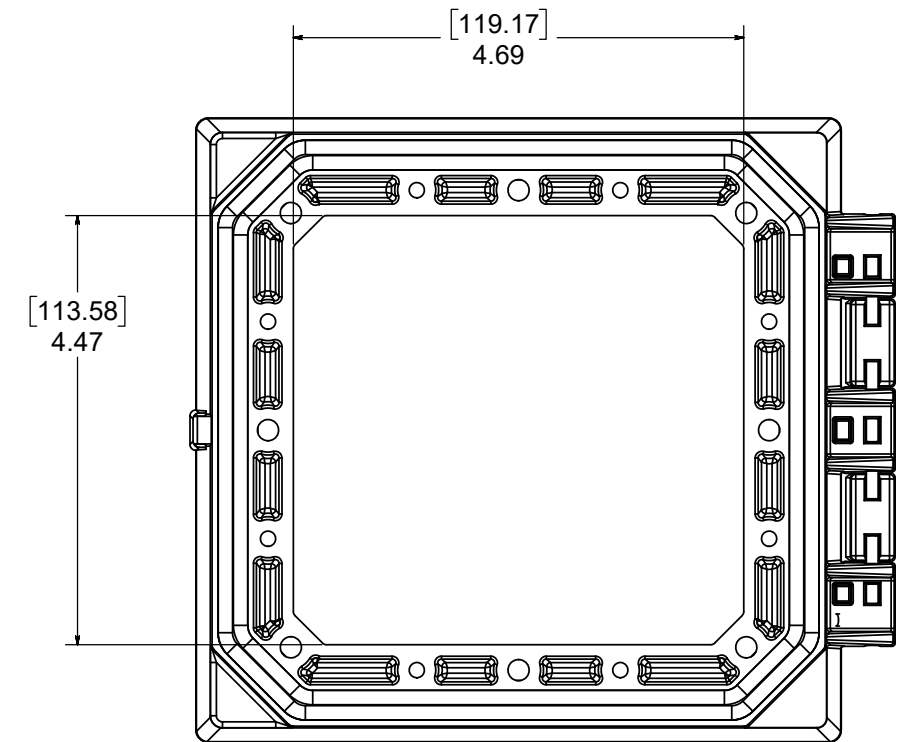
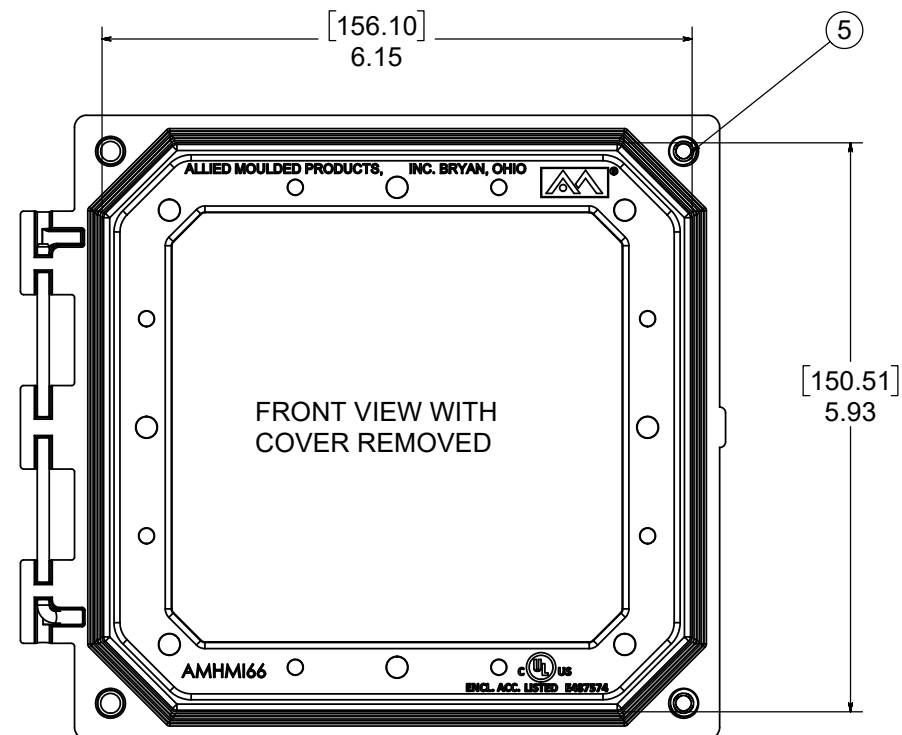


SECTION A-A

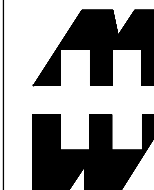


SECTION B-B



ITEM NO.	PART NUMBER	DESCRIPTION	QTY.
1	WGF66	WIP FIP 66 HMI FRAME	1
2	WGP66CX	WIP FIP 6X6 CLEAR COVER	1
3	CMSO316TP	TAMPER PROOF SCREW WITH O-RING	2
4	70-HPIN6316	HINGE PIN	1
5	70-60250	#10-32 THREADED INSERT	2

MATERIAL:  
 FRAME- INJECTED POLYCARBONATE  
 STANDARD COVER- INJECTED POLYCARBONATE  
 CLEAR COVER- INJECTED POLYCARBONATE



PART No. PJHMI66CCHTP

for more information visit  
[www.hammfg.com](http://www.hammfg.com)  
 Data subject to change without notice

Drawing Not to Scale