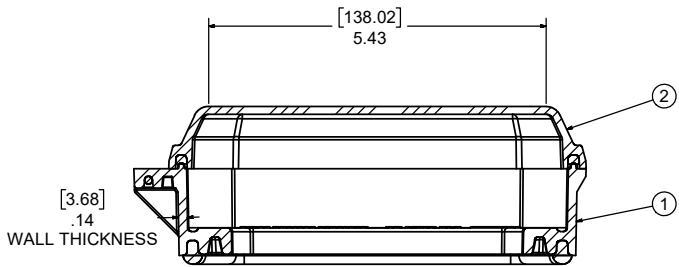
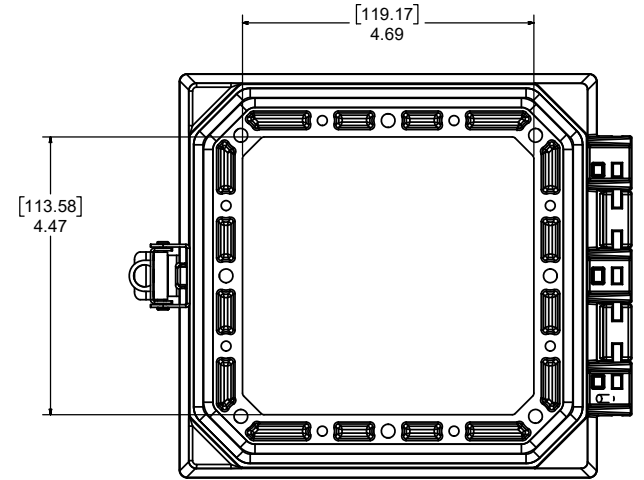
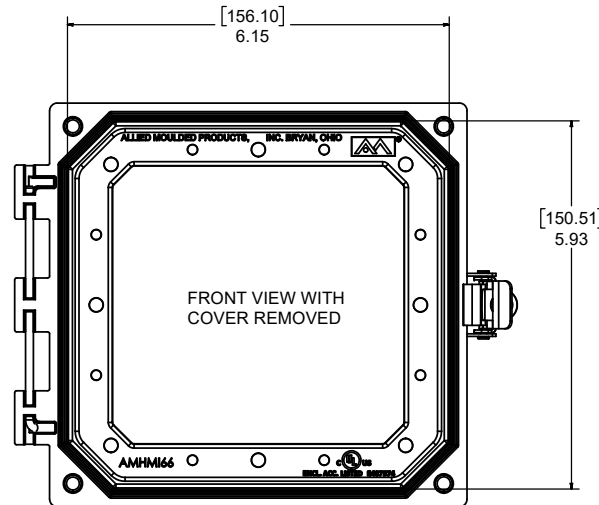


SECTION A-A



SECTION B-B



ITEM NO.	PART NUMBER	DESCRIPTION	QTY.
1	WGF66	WIP FIP 66 HMI FRAME	1
2	WGP66CX	WIP FIP 66 CLEAR COVER	1
3	70-HPIN6316	HINGE PIN	1
4	70-HMISSLCH316	HMI - UNDER CENTER LATCH	1

MATERIAL:
 FRAME- INJECTED POLYCARBONATE
 STANDARD COVER- INJECTED POLYCARBONATE
 CLEAR COVER- INJECTED POLYCARBONATE



PART No. PJHMI66CCL

for more information visit
www.hammfg.com
 Data subject to change without notice
 Drawing Not to Scale