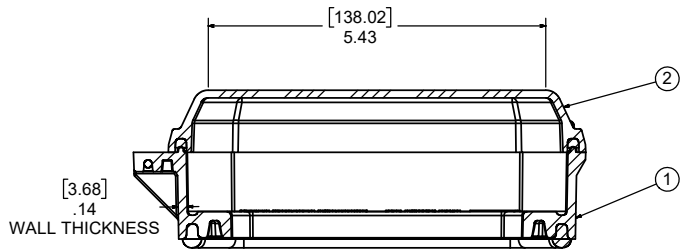
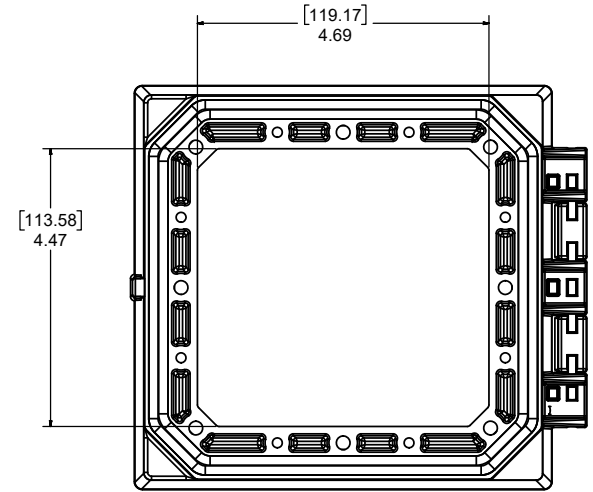
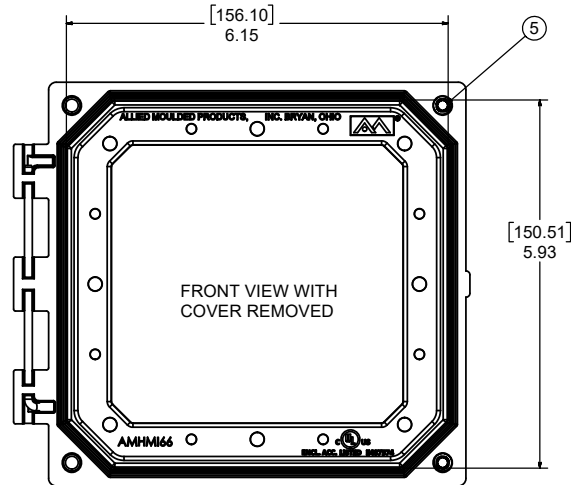


SECTION A-A



SECTION B-B



ITEM NO.	PART NUMBER	DESCRIPTION	QTY.
1	WGF66	WIP FIP 66 HMI FRAME	1
2	WGP66C	WIP FIP C'VR POLY OPAQUE	1
3	CMSO3161P	TAMPER PROOF SCREW WITH O-RING	2
4	70-HPIN6316	HINGE PIN	1
5	70-60250	#10-32 THREADED INSERT	2

MATERIAL:
 FRAME- INJECTED POLYCARBONATE
 STANDARD COVER- INJECTED POLYCARBONATE
 CLEAR COVER- INJECTED POLYCARBONATE



PART No. PJHMI66HTP

for more information visit
www.hammfg.com
 Data subject to change without notice
 Drawing Not to Scale