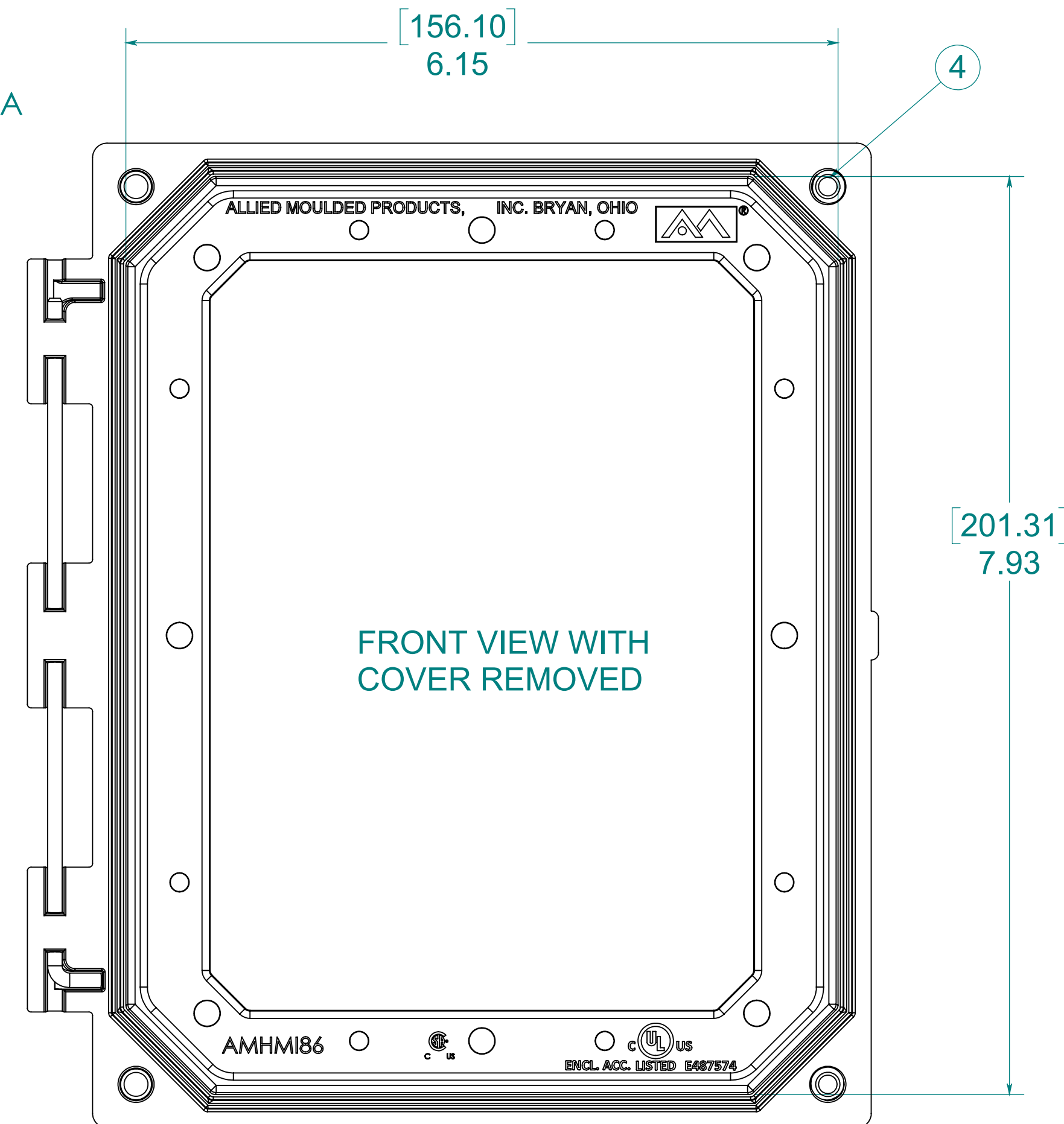
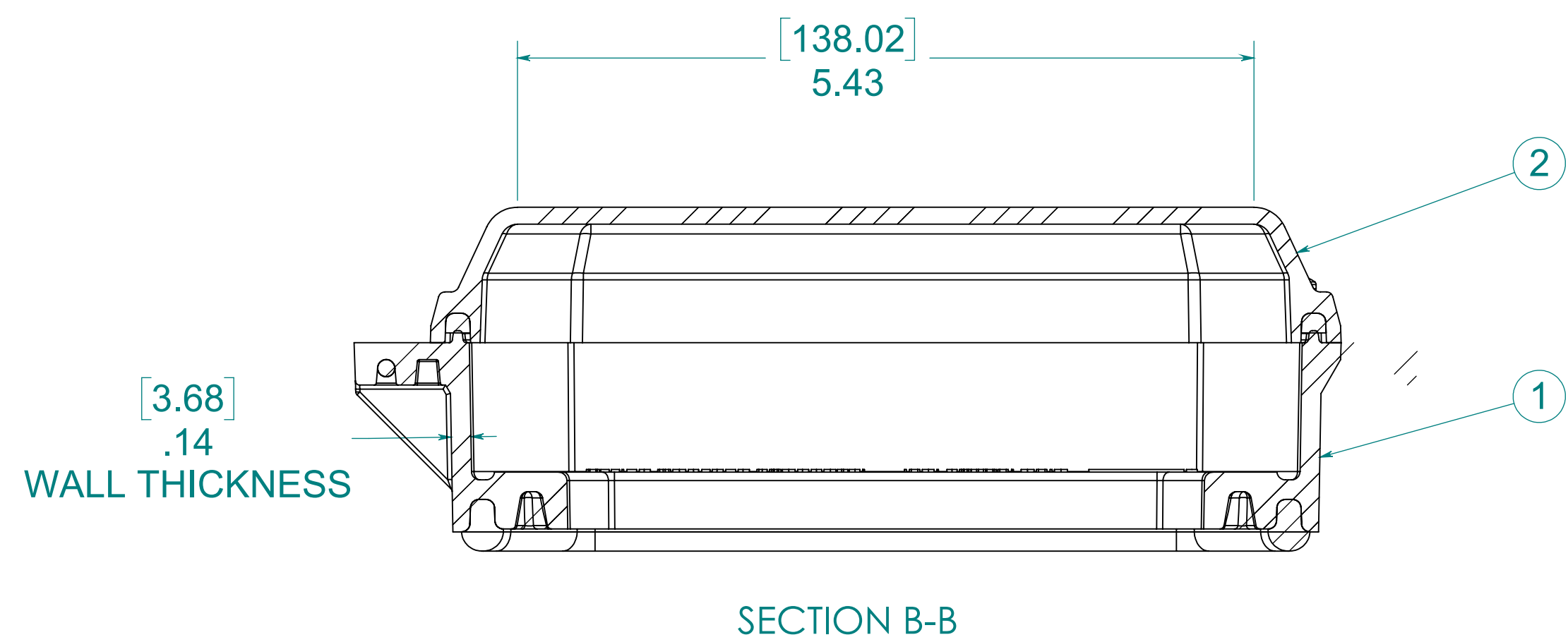
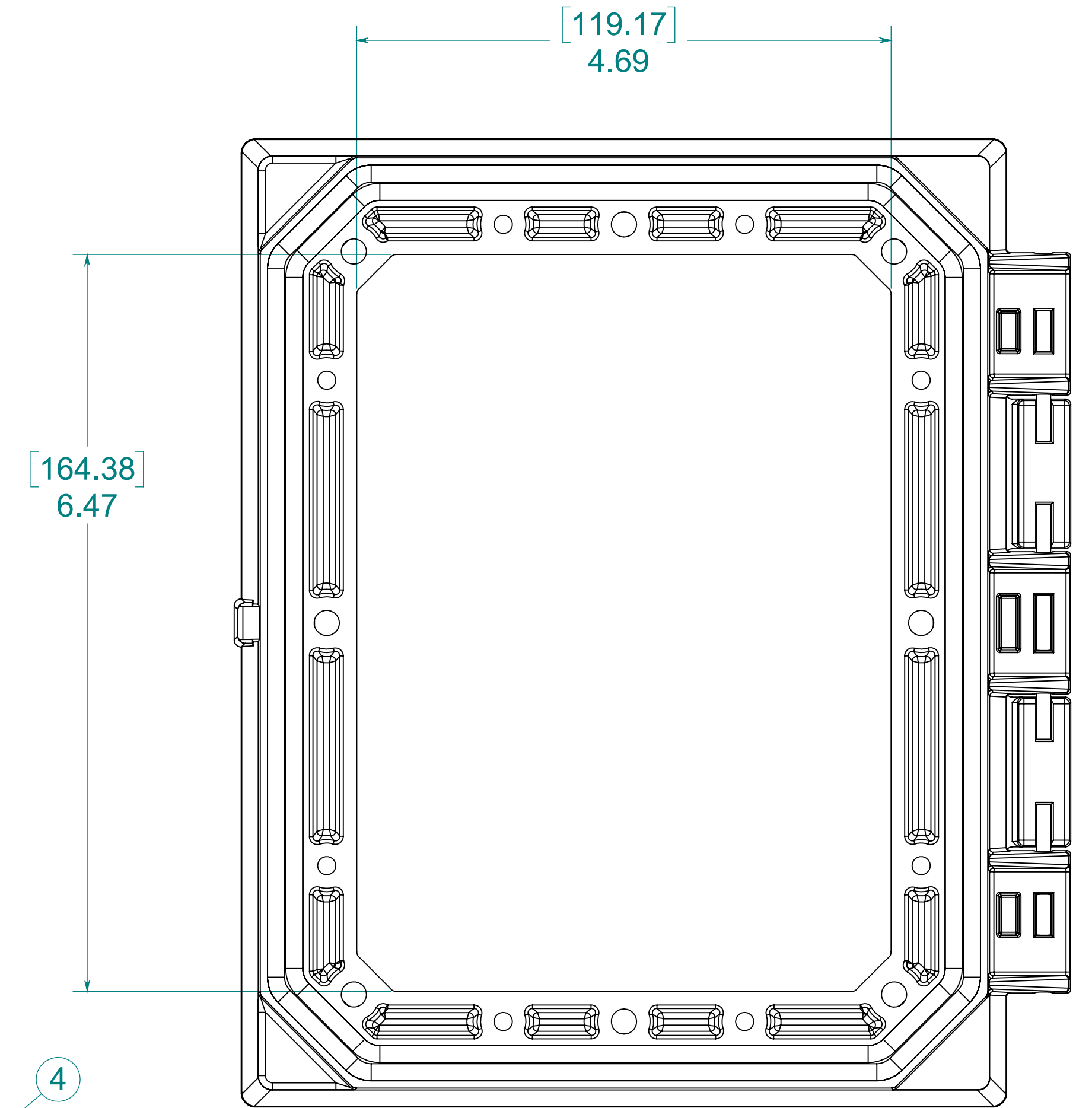
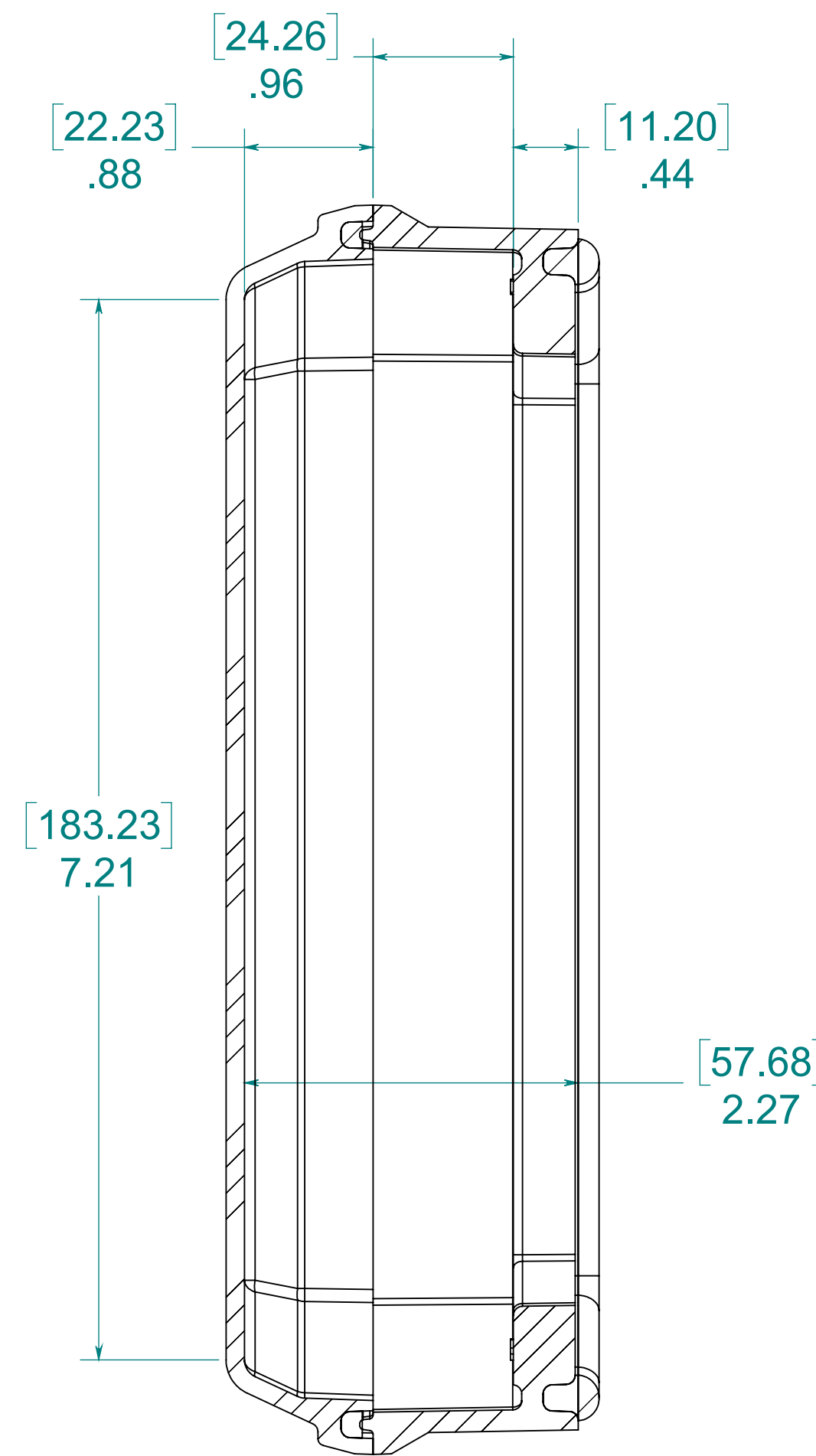
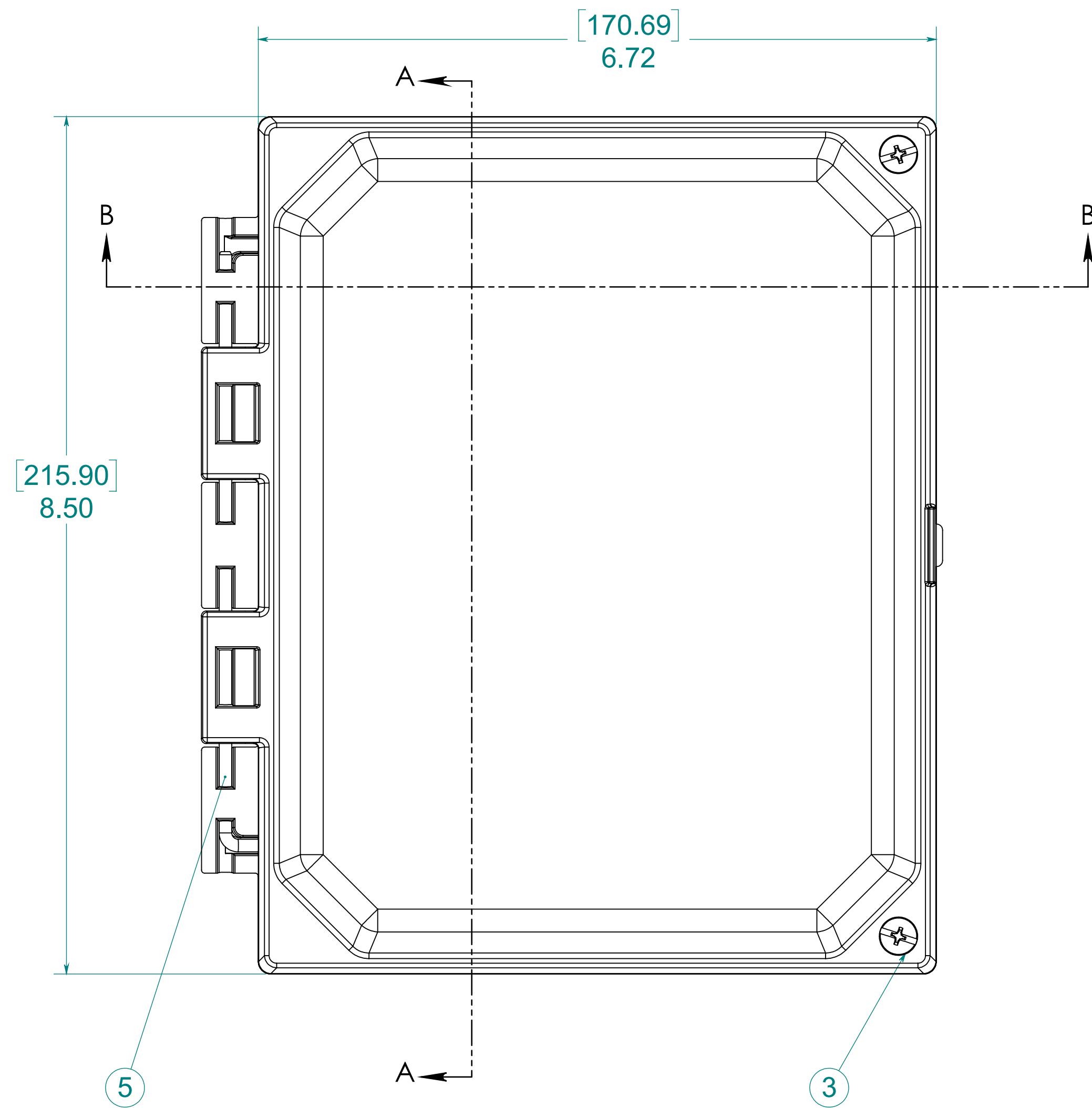
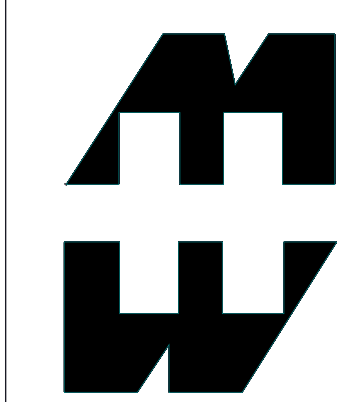


Date	Rev	Description	ECN No.	DR	CK	REL
10/24/19		INITIAL RELEASE				
-	-	-	-	-	-	-
-	-	-	-	-	-	-



ITEM NO.	PART NUMBER	DESCRIPTION	QTY.
1	WGF86	WIP FIP 86 HMI FRAME	1
2	WGP86CX	<DESCRIPTION>	1
3	CM50316	NEMA COVER MOUNT 316 SCREW WITH O-RING	2
4	70-60250	#10-32 THREADED INSERT	2
5	70-HPIN8316	HINGE PIN	1

MATERIAL:
 FRAME- INJECTED POLYCARBONATE
 STANDARD COVER- INJECTED POLYCARBONATE
 CLEAR COVER- INJECTED POLYCARBONATE



PART No. PJHMI86CCH
 for more information visit www.hammfg.com
 Data subject to change without notice
 Drawing Not to Scale