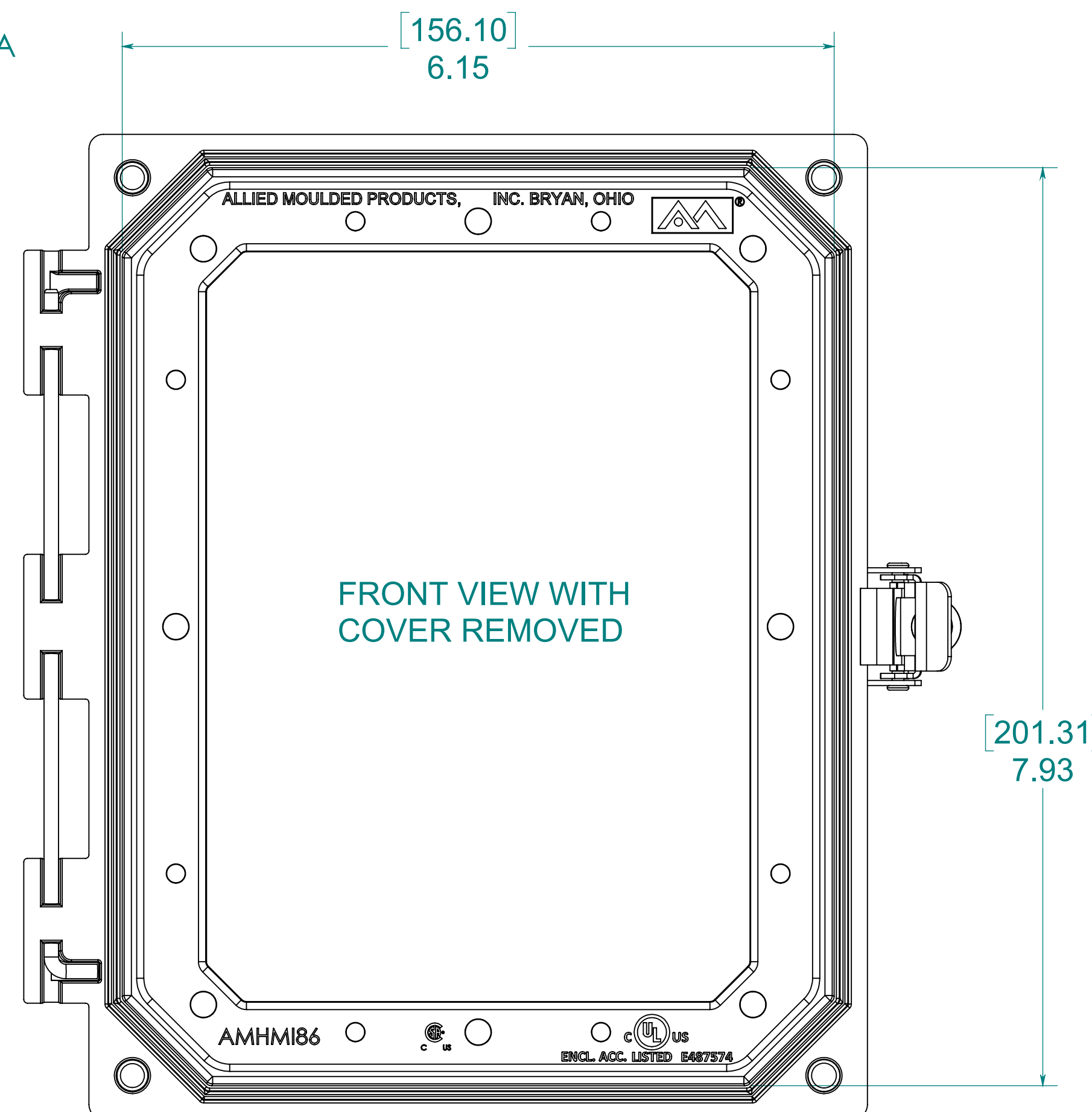
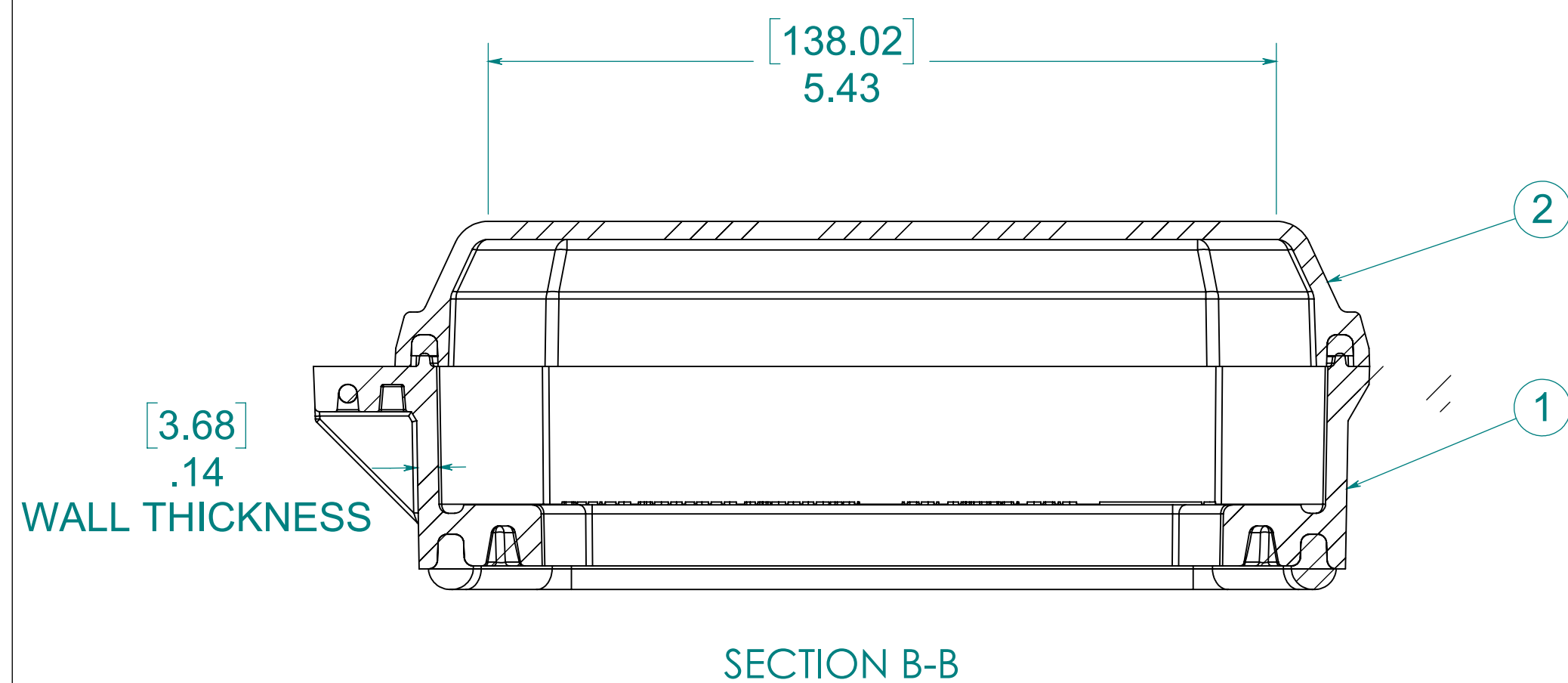
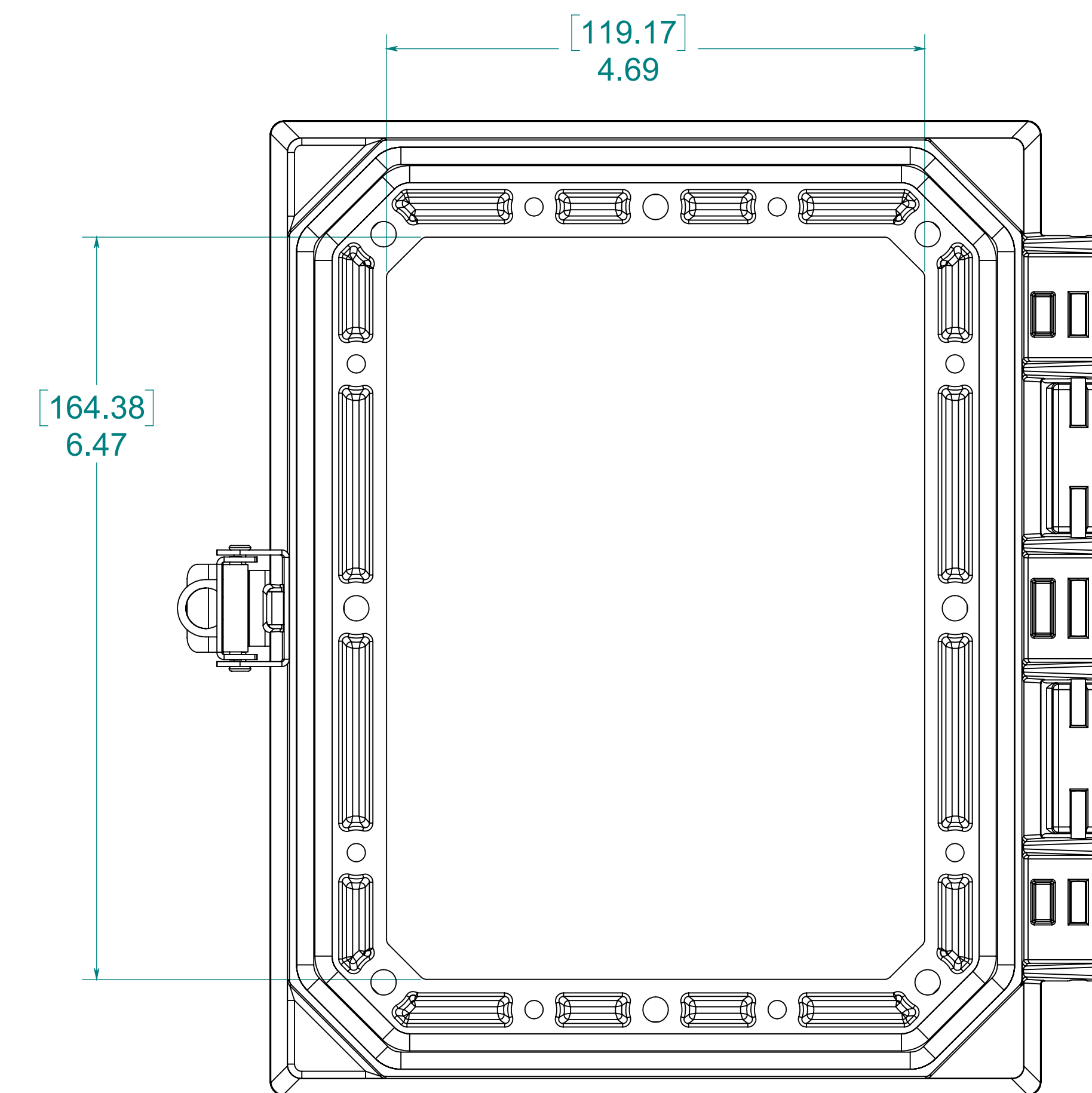
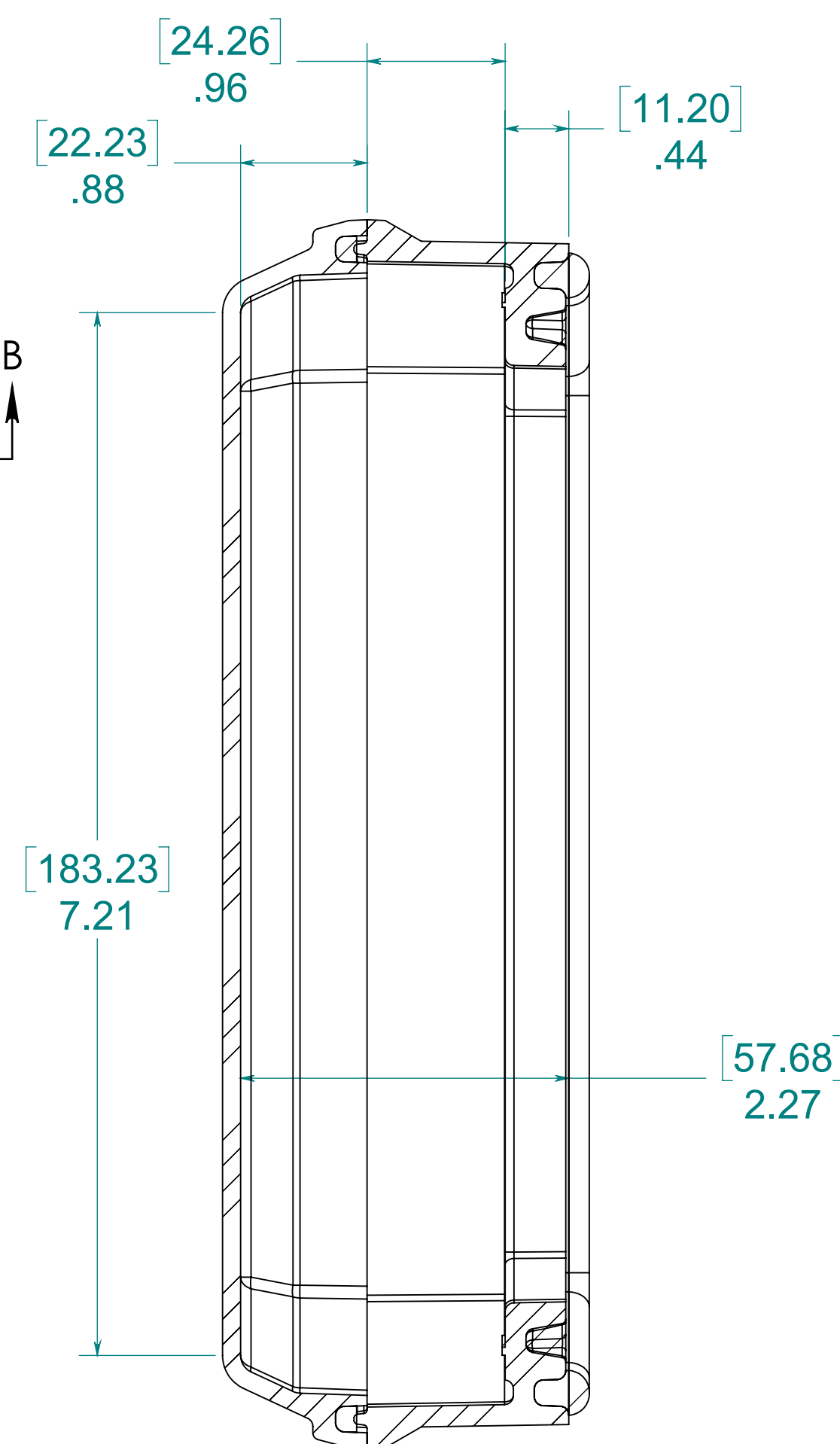
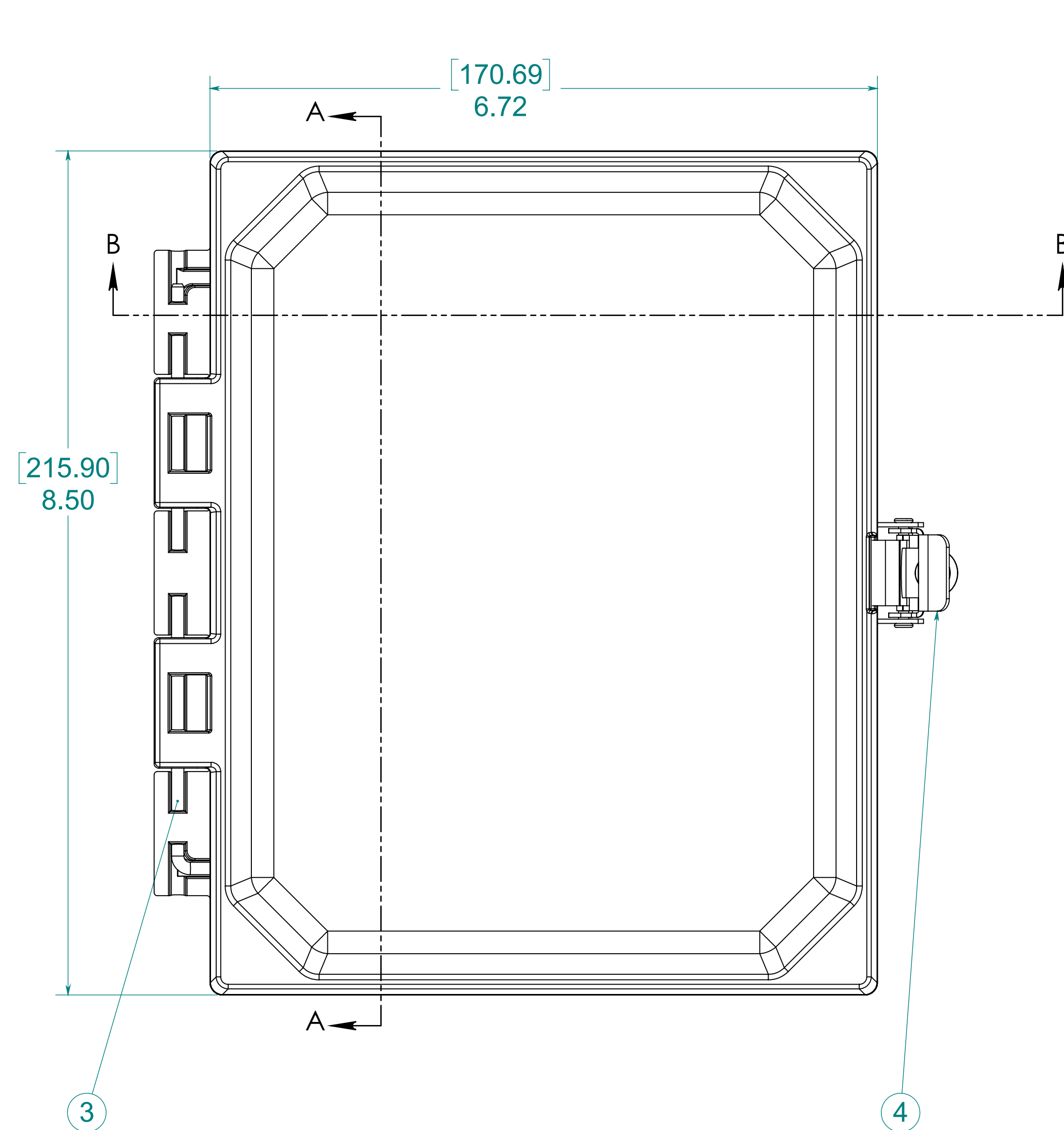
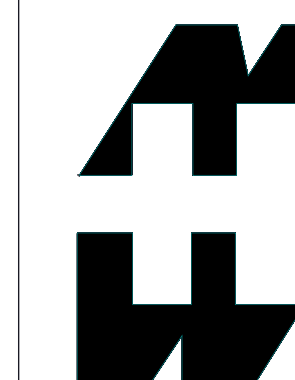


Date	Rev	Description	ECN No.	DR	CK	REL
10/24/19		INITIAL RELEASE				
-	-	-	-	-	-	-
-	-	-	-	-	-	-



ITEM NO.	PART NUMBER	DESCRIPTION	QTY.
1	WGF86	WIP FIP 86 HMI FRAME	1
2	WGP86CX	<DESCRIPTION>	1
3	70-HPIN8316	HINGE PIN	1
4	70-HMISSLCH316	HMI - UNDER CENTER LATCH	1

MATERIAL:
 FRAME- INJECTED POLYCARBONATE
 STANDRAD COVER- INJECTED POLYCARBONATE
 CLEAR COVER- INJECTED POLYCARBONATE



PART No. PJHMI86CCL

for more information visit
www.hammfg.com
 Data subject to change without notice

Drawing Not to Scale