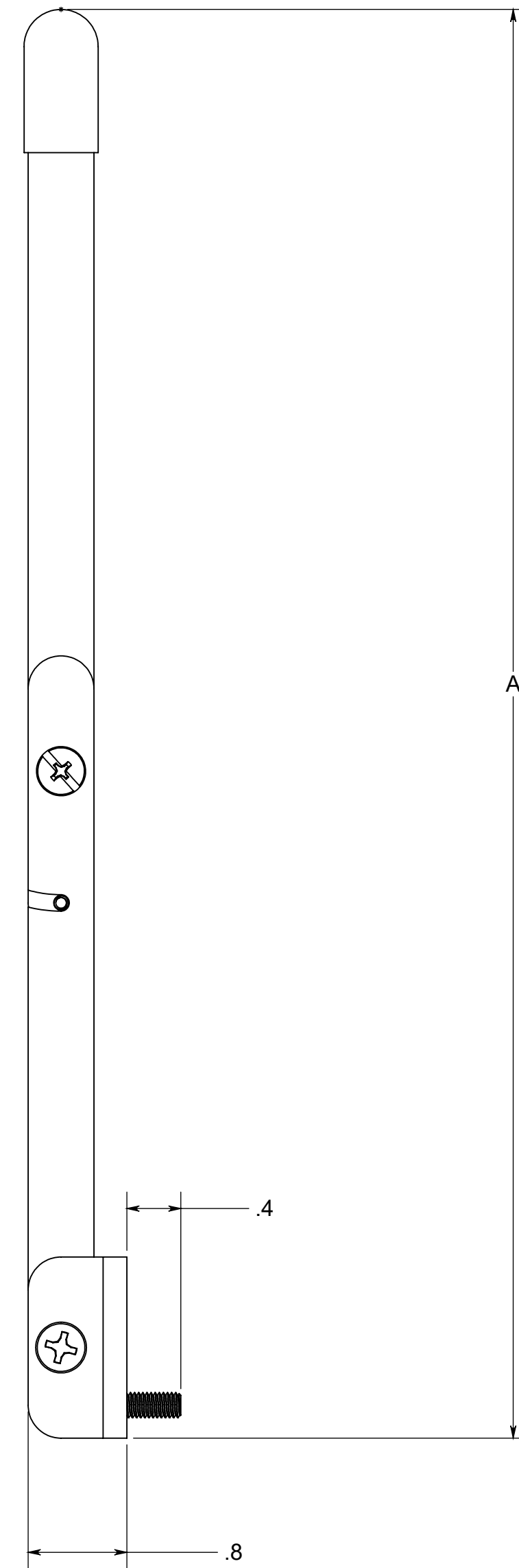
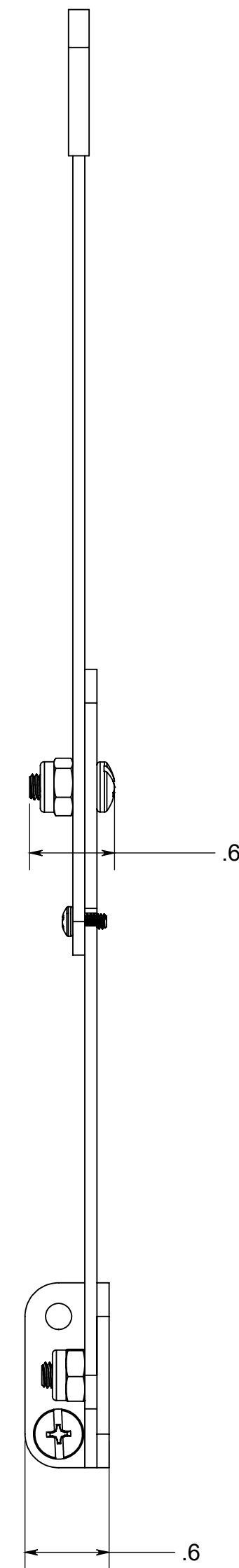
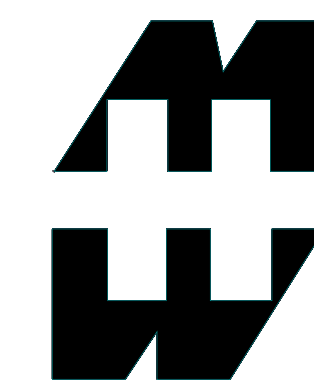


Date	Rev	Description	ECN No.	DR	CK	REL
-	+	PRE-RELEASE	-	-	-	-
-	-	-	-	-	-	-
-	-	-	-	-	-	-



SIZE	DIMENSION A
AMHMIPROP88	10.9
AMHMIPROP108	10.9
AMHMIPROP120	14.0
AMHMIPROP142	16.3
AMHMIPROP164	18.8
AMHMIPROP206	18.8



PART No. PJHMIPROP

for more information visit
www.hammfg.com
 Data subject to change without notice
 Drawing Not to Scale