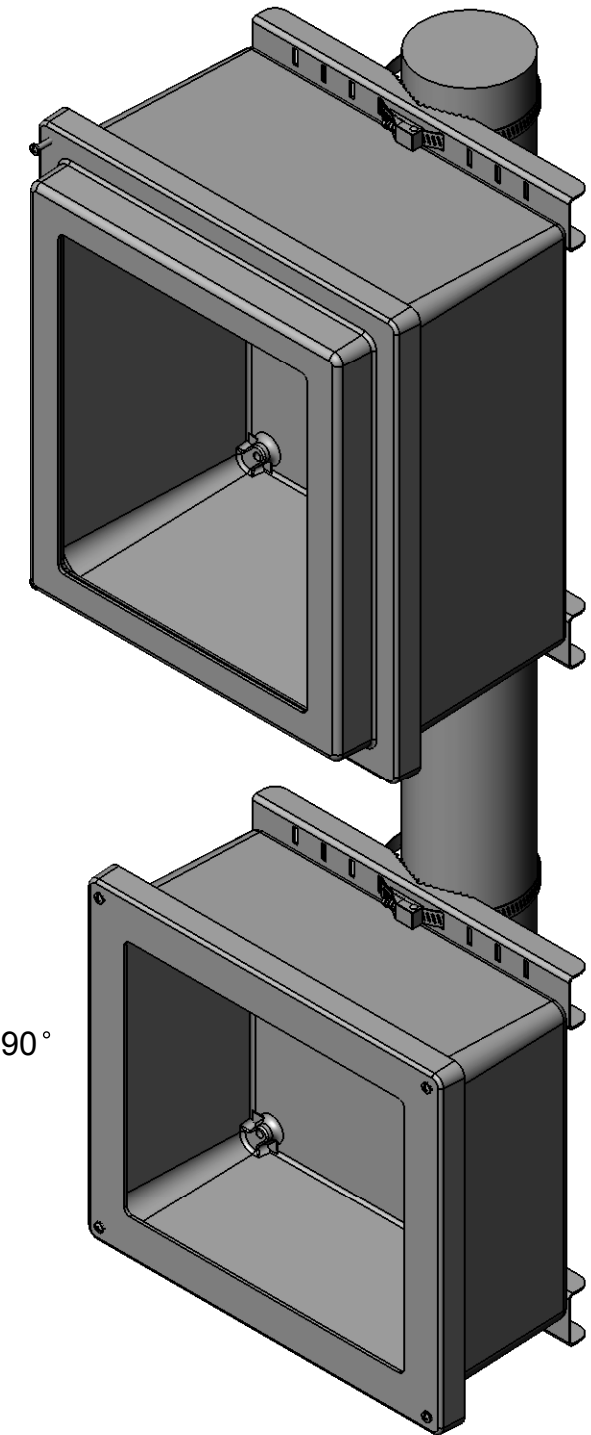


STANDARD MOUNT



ROTATED 90°

STANDARD MOUNT HOLE PATTERN

ENCLOSURE	VERTICAL DIM	HORIZONTAL DIM	MOUNT TYPE
PJ1648(X)	14.89 (378.2)	13.01 (330.5)	DIRECT TO BOX
PJU1648(X)F	16.75 (425.5)	12.00 (304.80)	BOLT THROUGH FLANGE

ROTATED 90° MOUNT HOLE PATTERN

ENCLOSURE	VERTICAL DIM	HORIZONTAL DIM	MOUNT TYPE
PJ1426(X)	11.01 (279.7)	12.89 (327.4)	DIRECT TO BOX



PART No. PJPOLEMNT14

for more information visit  
[www.hammfg.com](http://www.hammfg.com)  
 Data subject to change without notice  
 Drawing Not to Scale