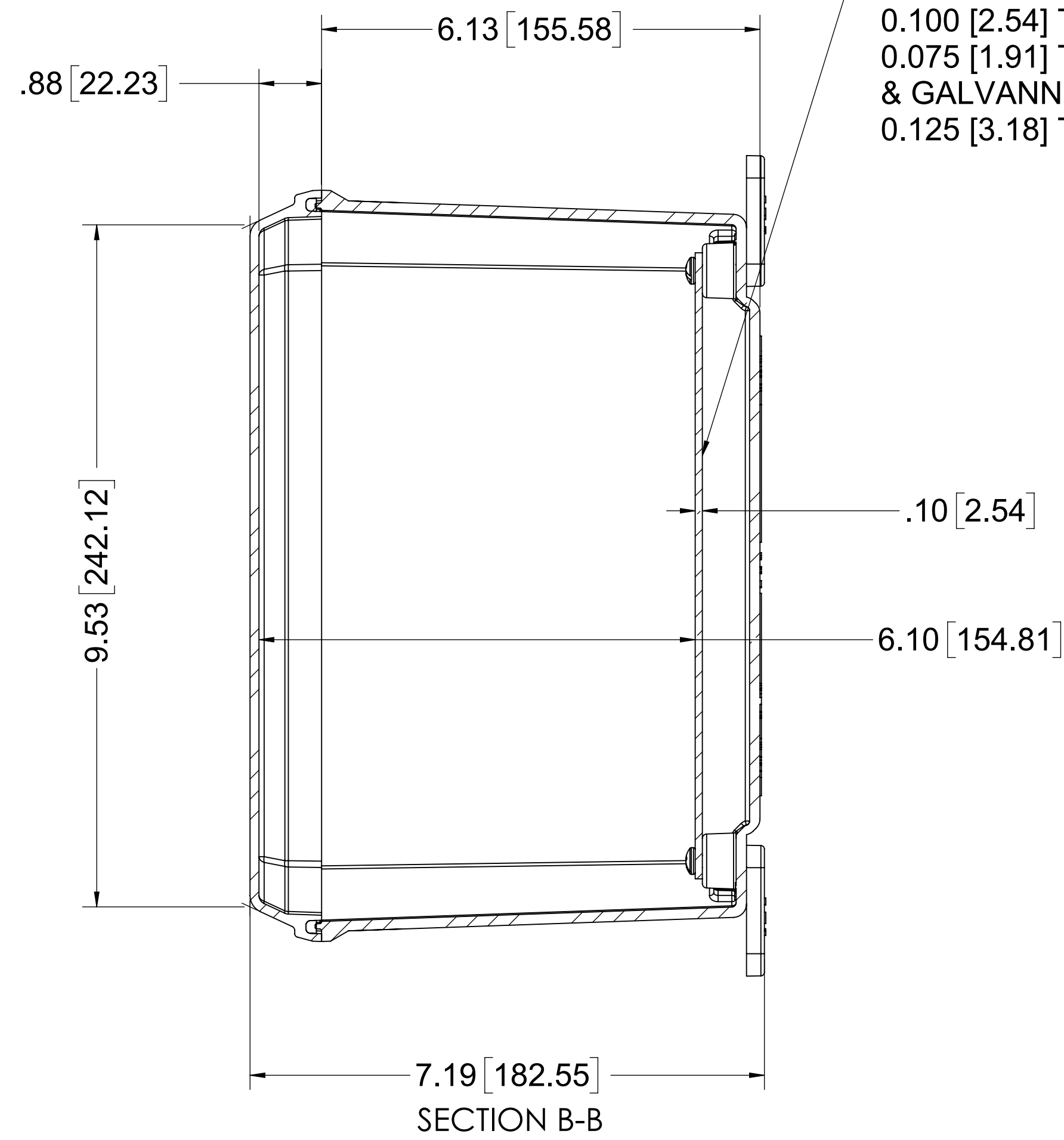
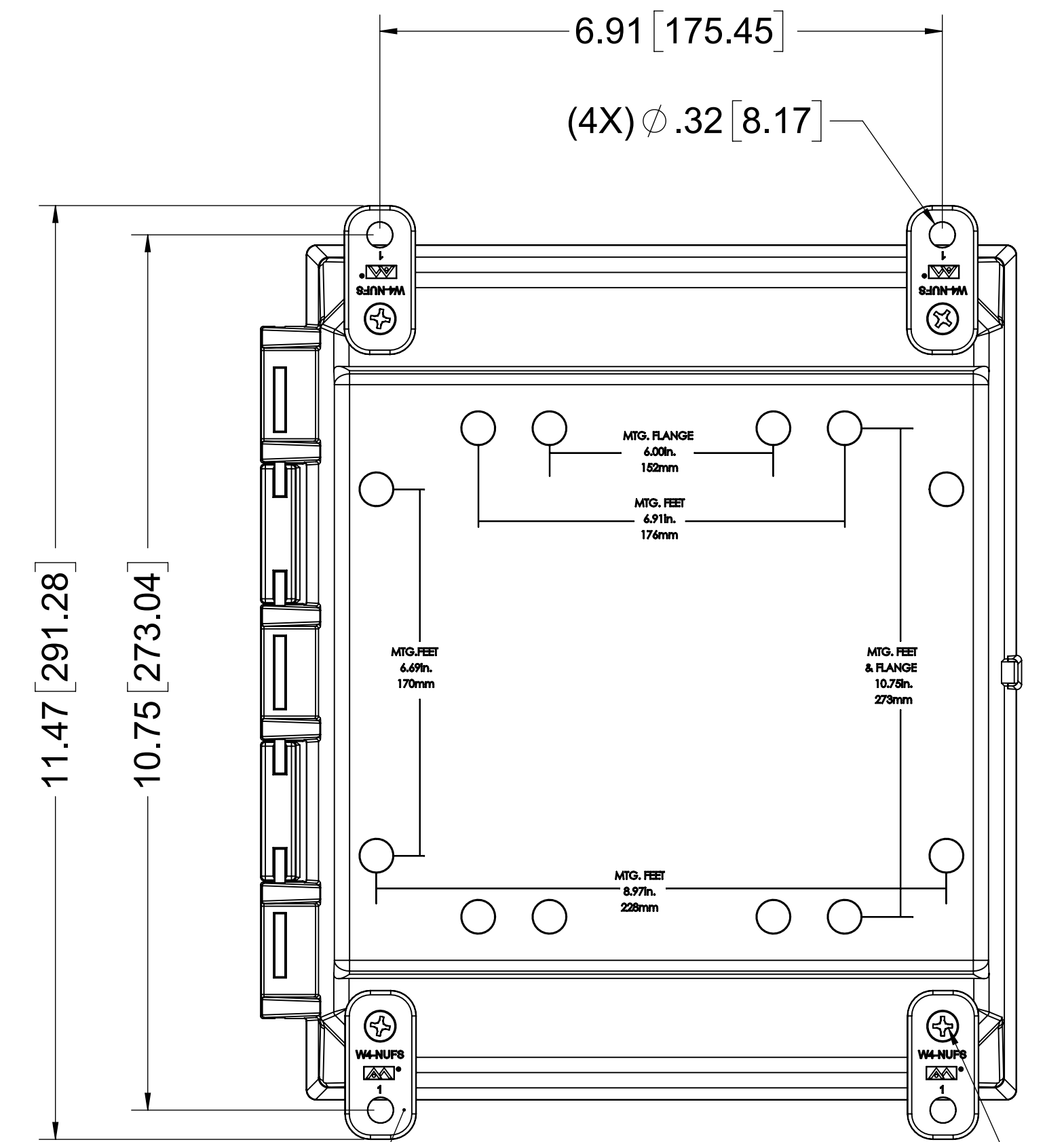


(2X) EACH #10-32 BRASS
INSERTS AND 316 STAINLESS
STEEL CAPTIVE COVER SCREWS

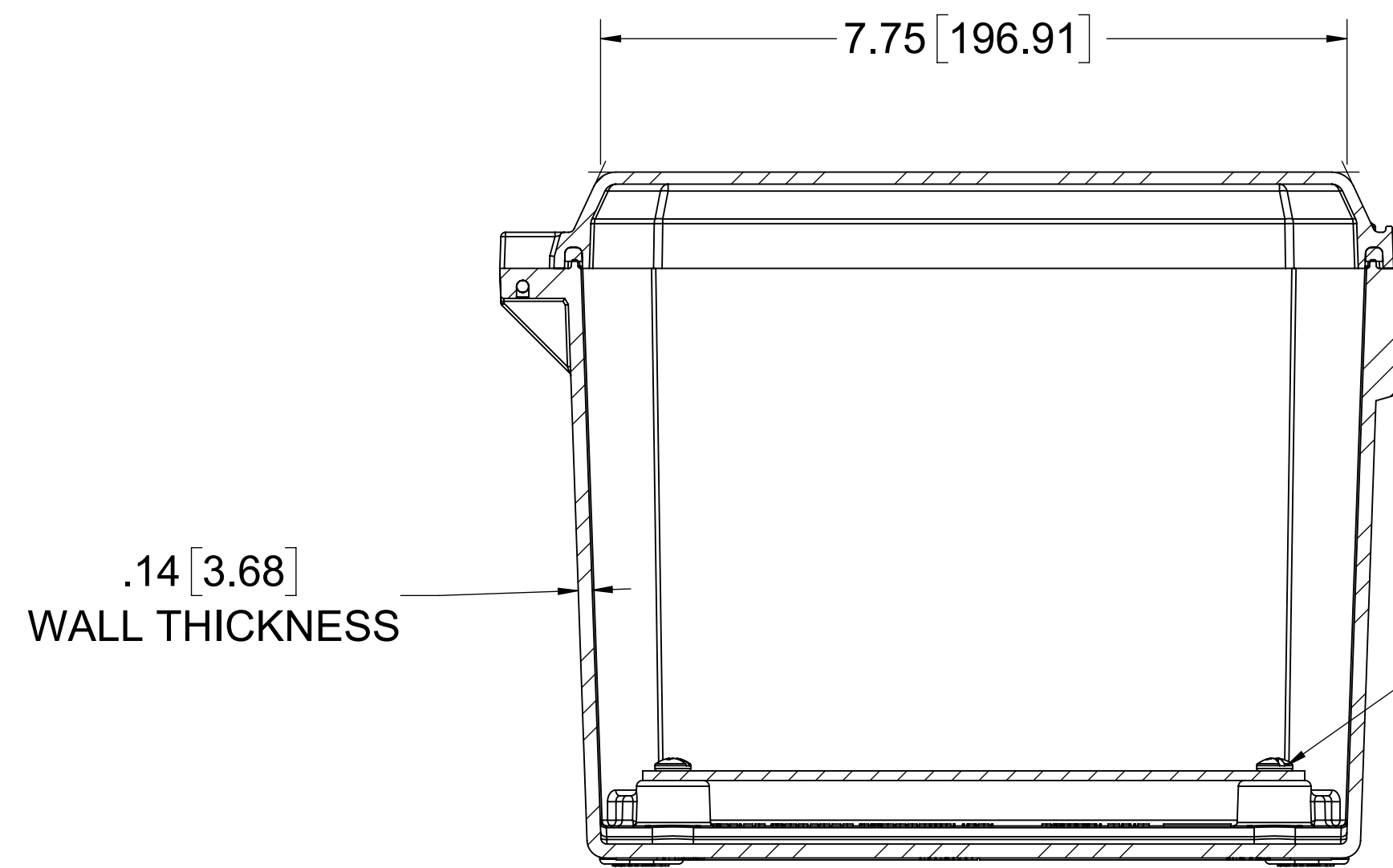


OPTIONAL BACK PANEL
0.100 [2.54] TH'K - ALUMINUM
0.075 [1.91] TH'K - WHITE STEEL
& GALVANNEALED
0.125 [3.18] TH'K - FIBERGLASS



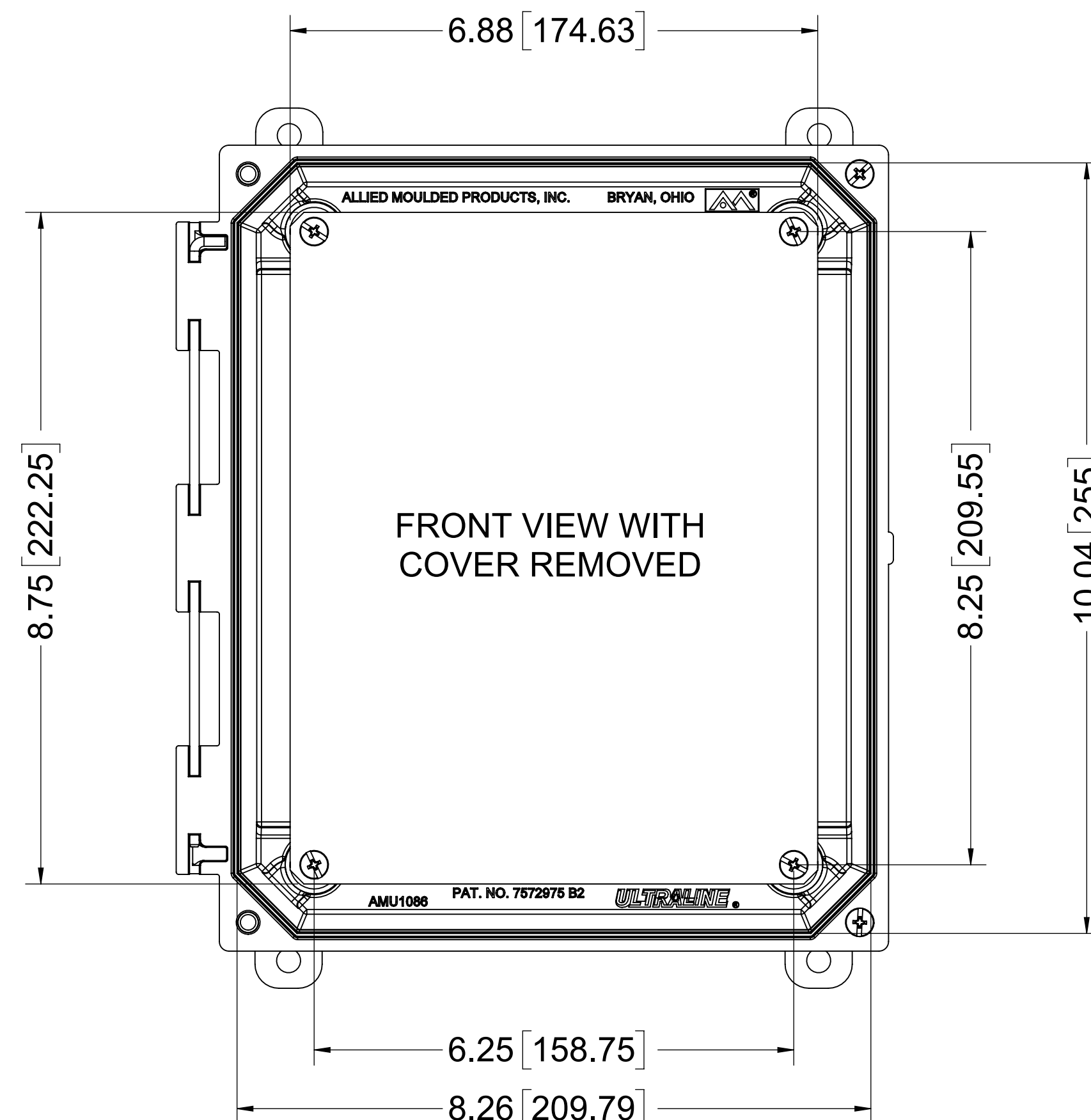
(4X) POLYCARBONATE
FEET

(4X) EACH #10-32 BRASS
INSERTS AND 316 STAINLESS
STEEL FEET SCREWS



SECTION A-A

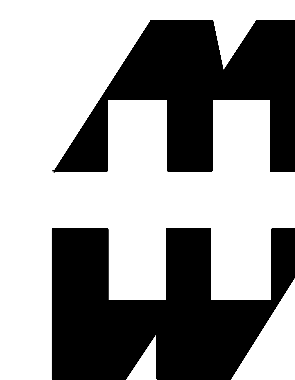
(4X) EACH #10-32 BRASS
INSERTS AND PLATED
CARBON STEEL SCREWS



FRONT VIEW WITH
COVER REMOVED

MATERIAL:
BOX - COMPRESSION MOLDED FIBERGLASS REINFORCED POLYESTER
COVER - COMPRESSION MOLDED FIBERGLASS REINFORCED POLYESTER
CLEAR COVER - INJECTED POLYCARBONATE

NOTE:
1. DATA SUBJECT TO CHANGE WITHOUT NOTICE



PART No. PJU1086CCH.WEB

for more information visit
www.hammfg.com
Data subject to change without notice
Drawing Not to Scale