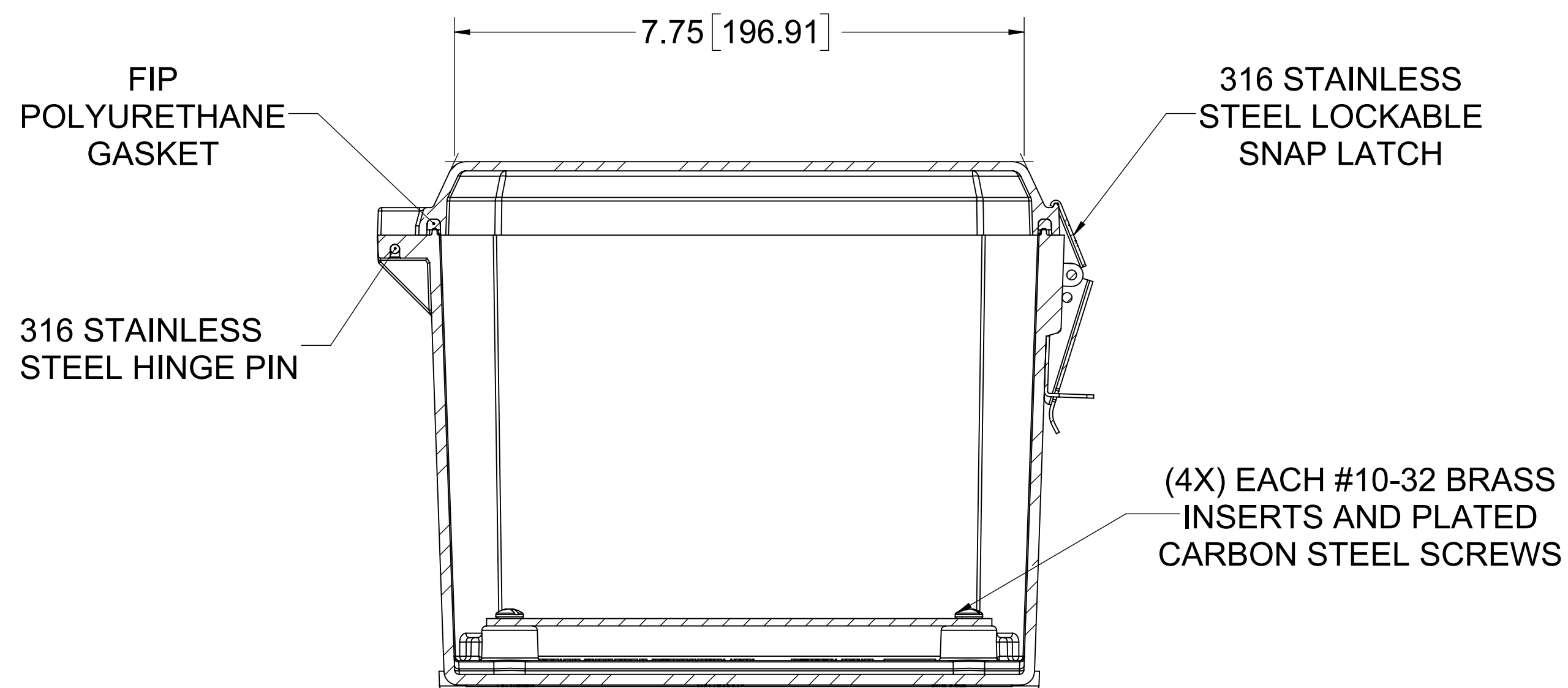
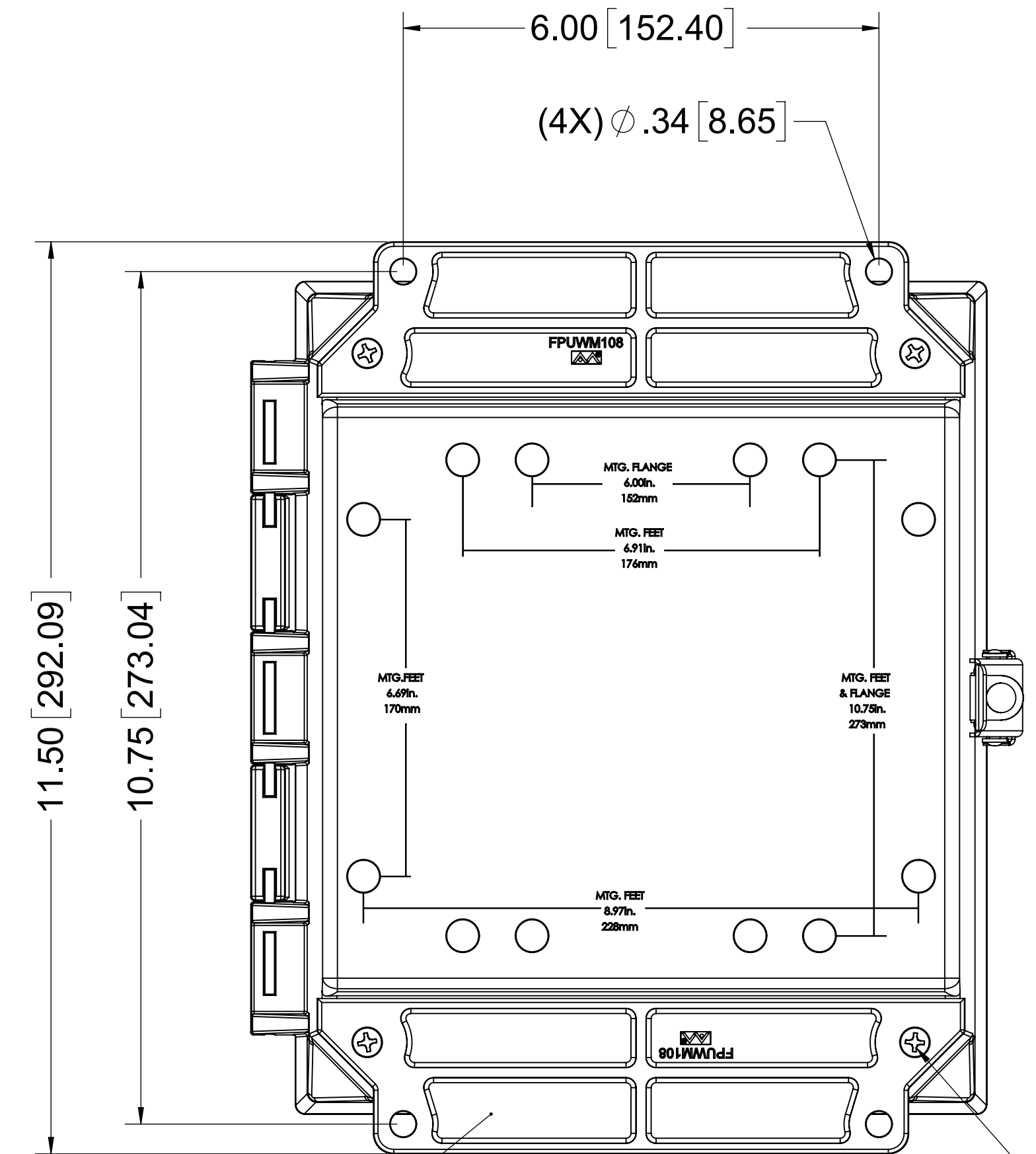


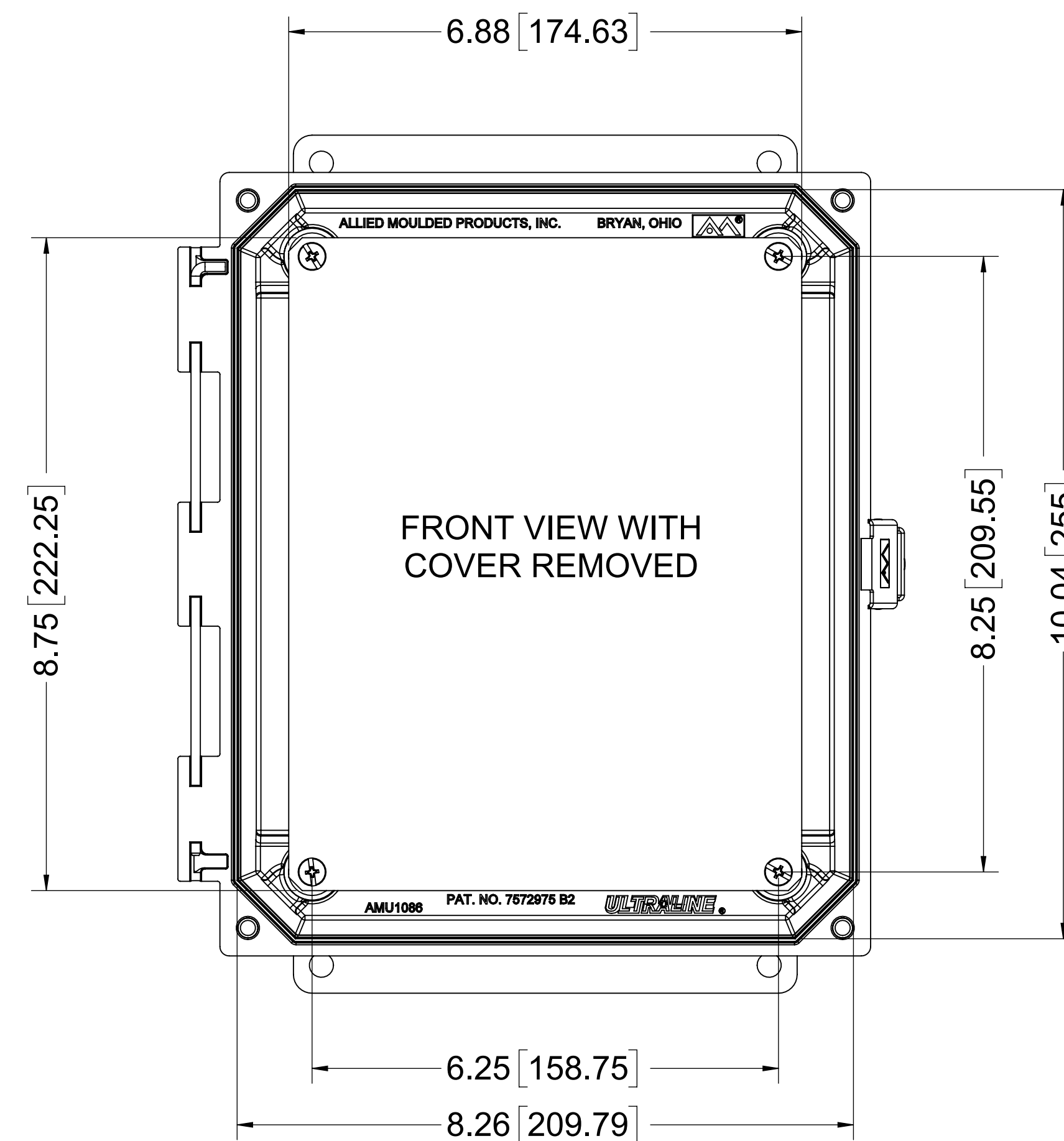
OPTIONAL BACK PANEL
 0.100 [2.54] TH'K - ALUMINUM
 0.075 [1.91] TH'K - WHITE STEEL
 & GALVANNEALED
 0.125 [3.18] TH'K - FIBERGLASS

(2X) POLYCARBONATE
 FLANGES (GLUED)

(4X) EACH #10-32 BRASS
 INSERTS AND 316 STAINLESS
 STEEL FLANGE SCREWS



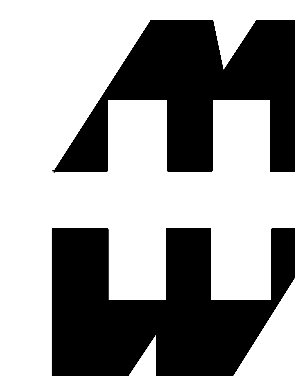
SECTION A-A



FRONT VIEW WITH
 COVER REMOVED

NOTE:
 1. DATA SUBJECT TO CHANGE WITHOUT NOTICE

MATERIAL:
 BOX - COMPRESSION MOLDED FIBERGLASS REINFORCED POLYESTER
 COVER - COMPRESSION MOLDED FIBERGLASS REINFORCED POLYESTER
 CLEAR COVER - INJECTED POLYCARBONATE



PART No.
 PJU1086CCLF.WEB
 for more information visit
www.hammfg.com
 Data subject to change without notice
 Drawing Not to Scale