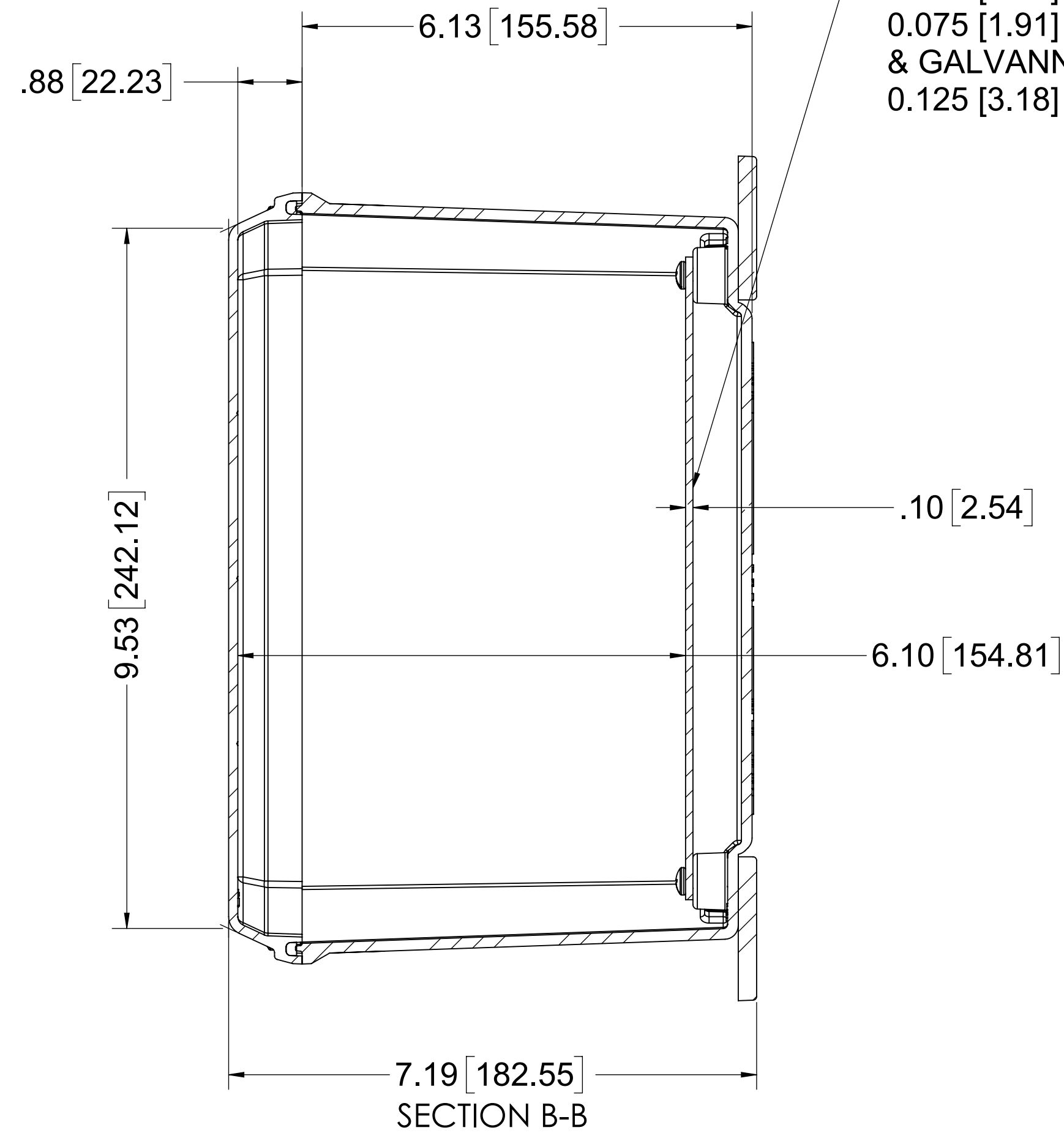
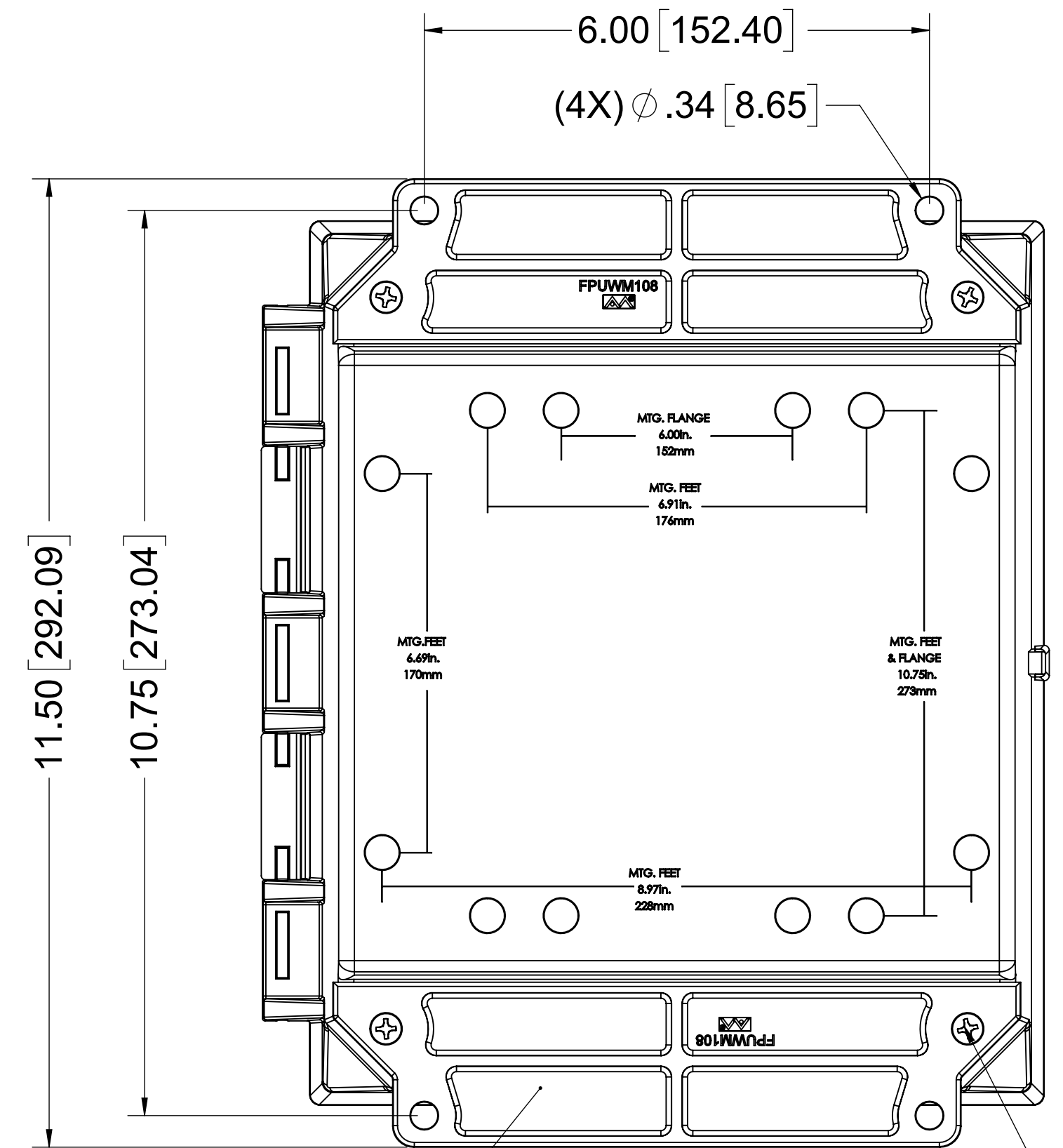


(4X) EACH #10-32 BRASS INSERTS AND 316 STAINLESS STEEL CAPTIVE COVER SCREWS

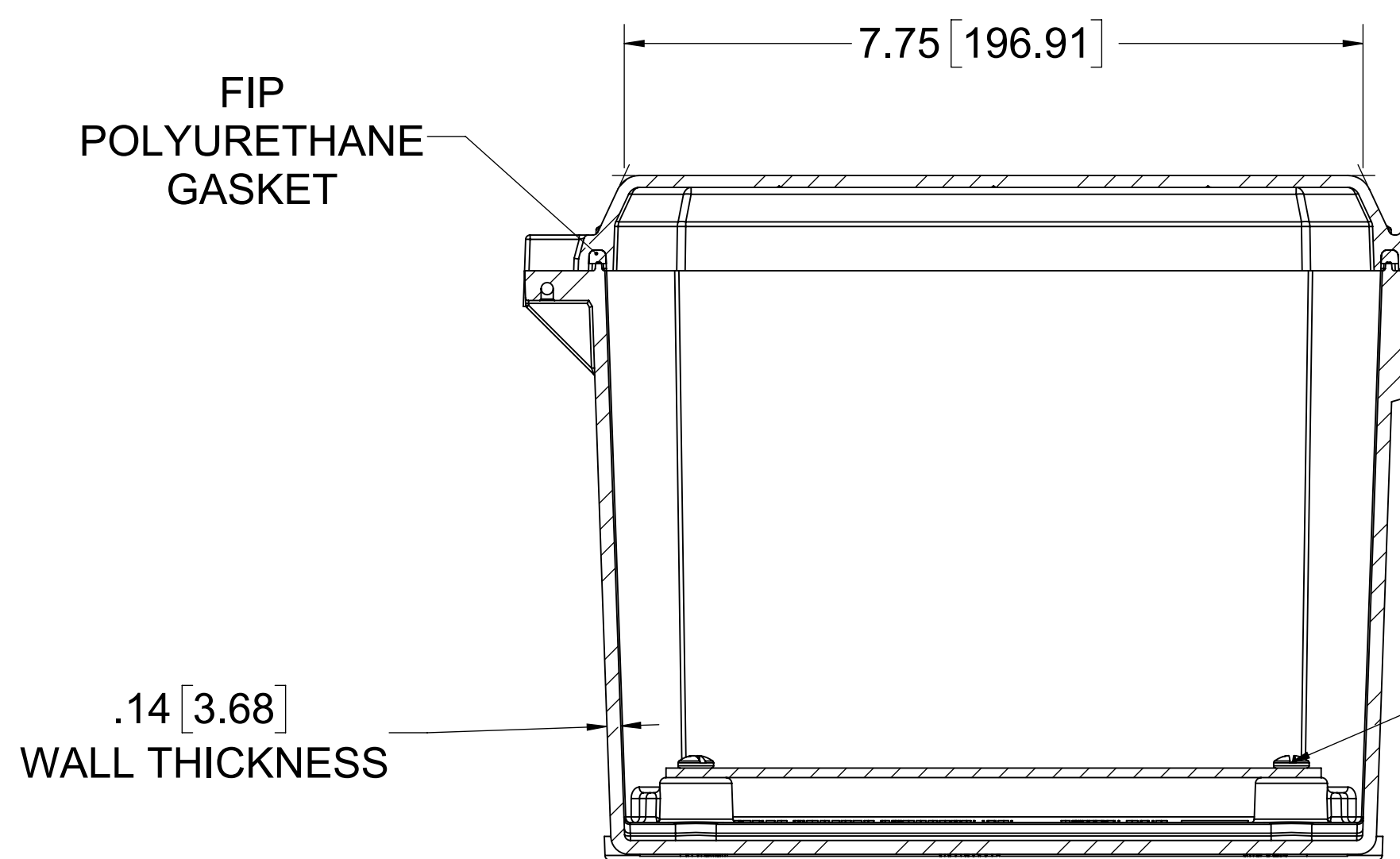


OPTIONAL BACK PANEL  
 0.100 [2.54] TH'K - ALUMINUM  
 0.075 [1.91] TH'K WHITE STEEL & GALVANNEALED  
 0.125 [3.18] TH'K - FIBERGLASS



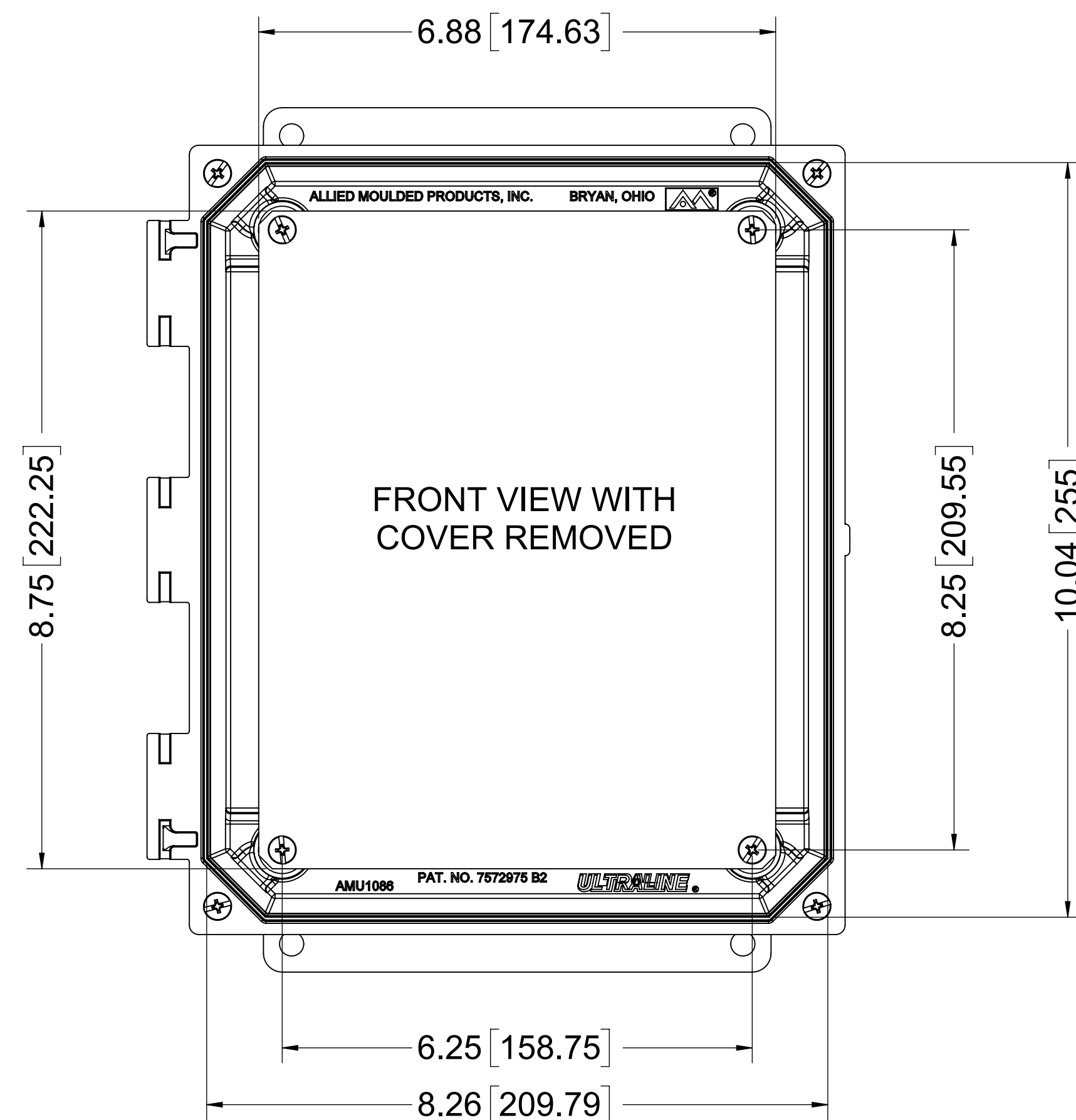
(2X) POLYCARBONATE FLANGES (GLUED)

(4X) EACH #10-32 BRASS INSERTS AND 316 STAINLESS STEEL FLANGE SCREWS



SECTION A-A

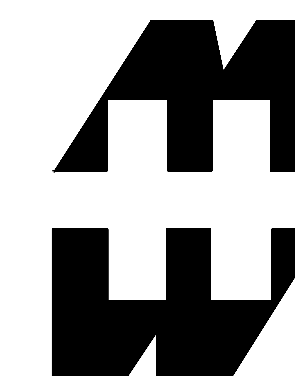
(4X) EACH #10-32 BRASS INSERTS AND PLATED CARBON STEEL SCREWS



FRONT VIEW WITH COVER REMOVED

NOTE:  
 1. DATA SUBJECT TO CHANGE WITHOUT NOTICE

MATERIAL:  
 BOX - COMPRESSIONMOLDED FIBERGLASS REINFORCED POLYESTER  
 COVER - COMPRESSIONMOLDED FIBERGLASS REINFORCED POLYESTER  
 CLEAR COVER AND WINDOW - INJECTED POLYCARBONATE



PART No. PJU1086F.WEB

for more information visit  
[www.hammfg.com](http://www.hammfg.com)  
 Data subject to change without notice  
 Drawing Not to Scale