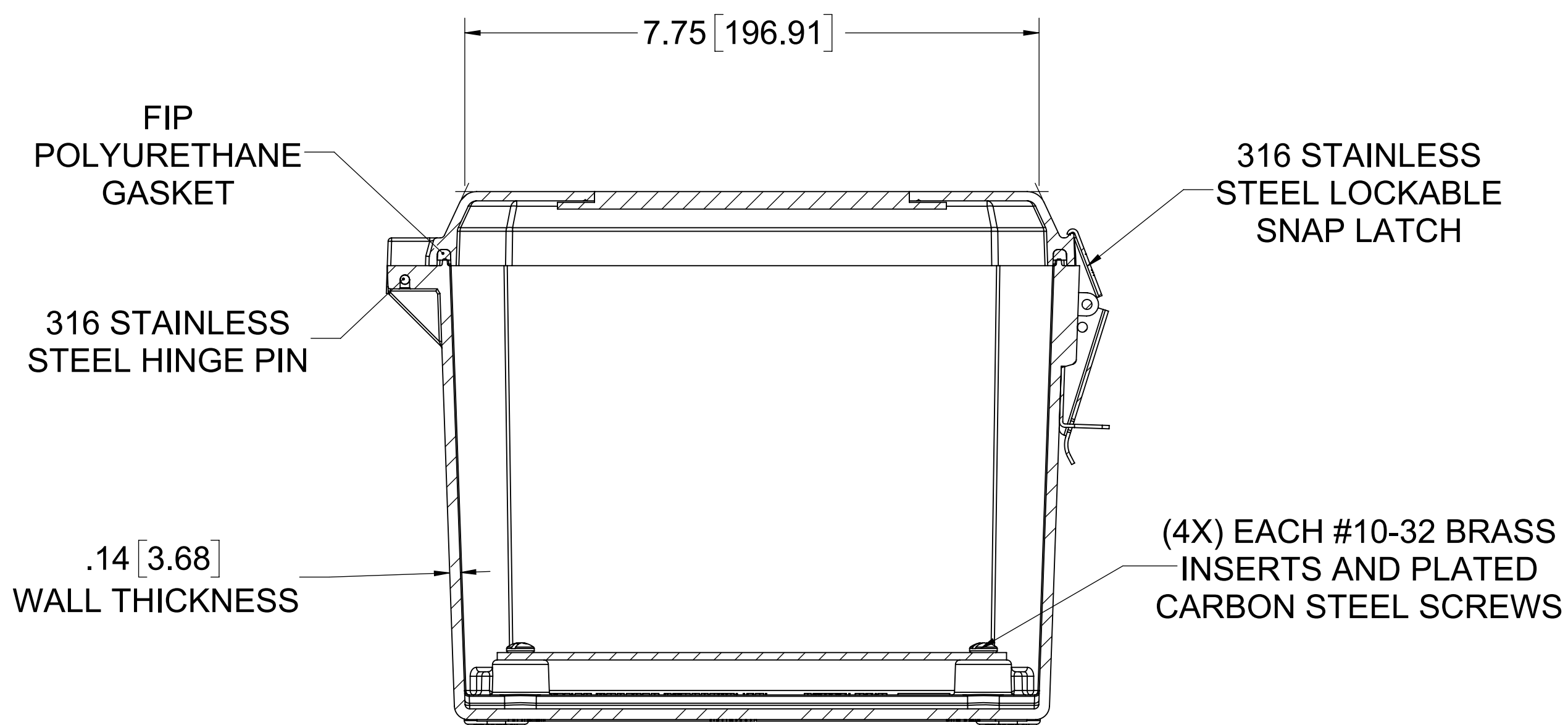
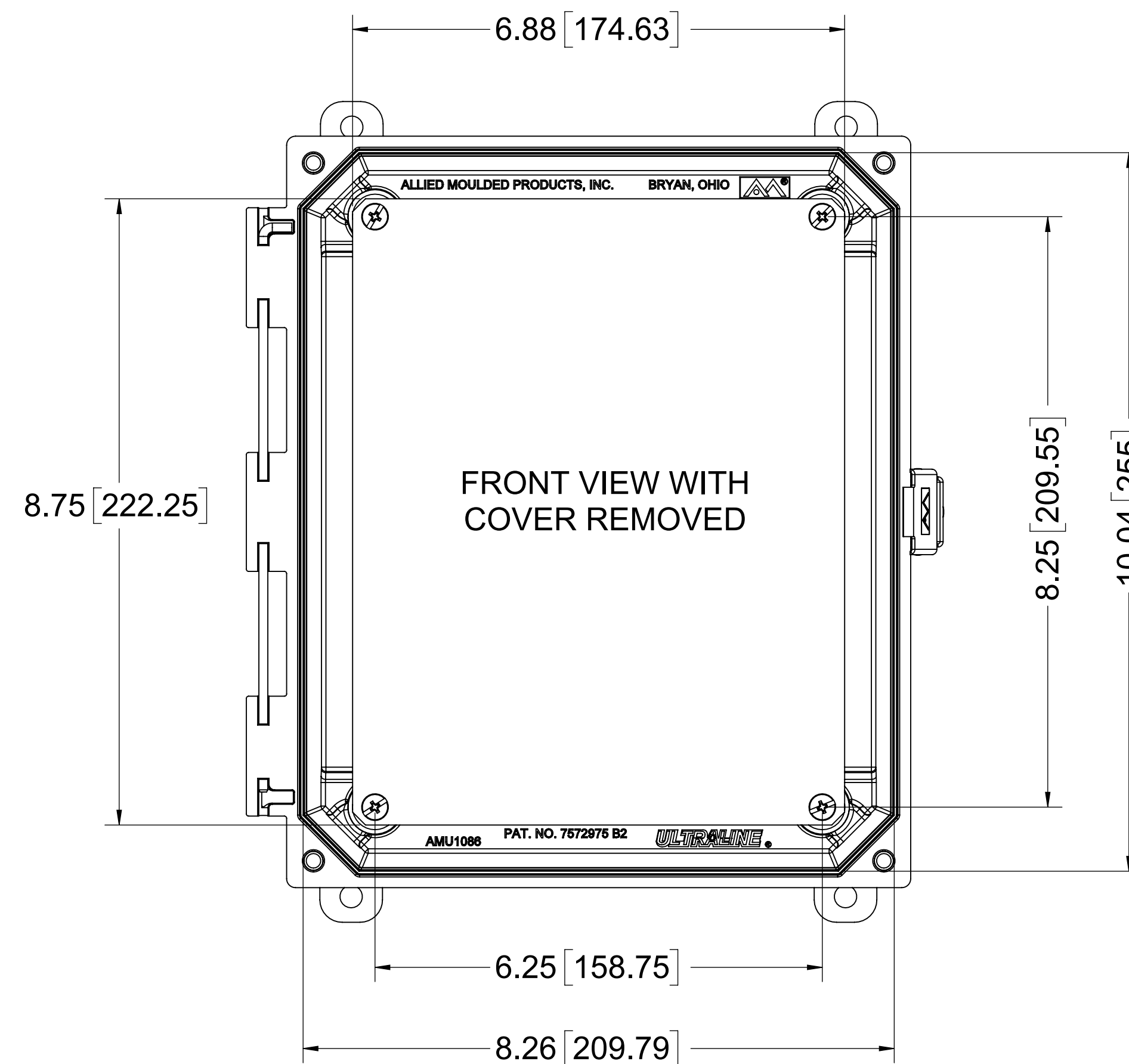


(4X) POLYCARBONATE FEET

(4X) EACH #10-32 BRASS INSERT AND 316 STAINLESS STEEL FEET SCREWS



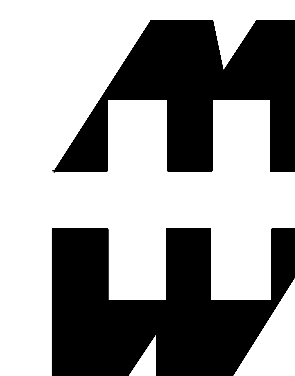
SECTION A-A



FRONT VIEW WITH COVER REMOVED

MATERIAL:
 BOX - COMPRESSION MOLDED FIBERGLASS REINFORCED POLYESTER
 COVER - COMPRESSION MOLDED FIBERGLASS REINFORCED POLYESTER
 CLEAR COVER AND WINDOW - INJECTED POLYCARBONATE

NOTE:
 1. DATA SUBJECT TO CHANGE WITHOUT NOTICE



PART No. PJU1086LW.WEB

for more information visit
www.hammfg.com
 Data subject to change without notice
 Drawing Not to Scale