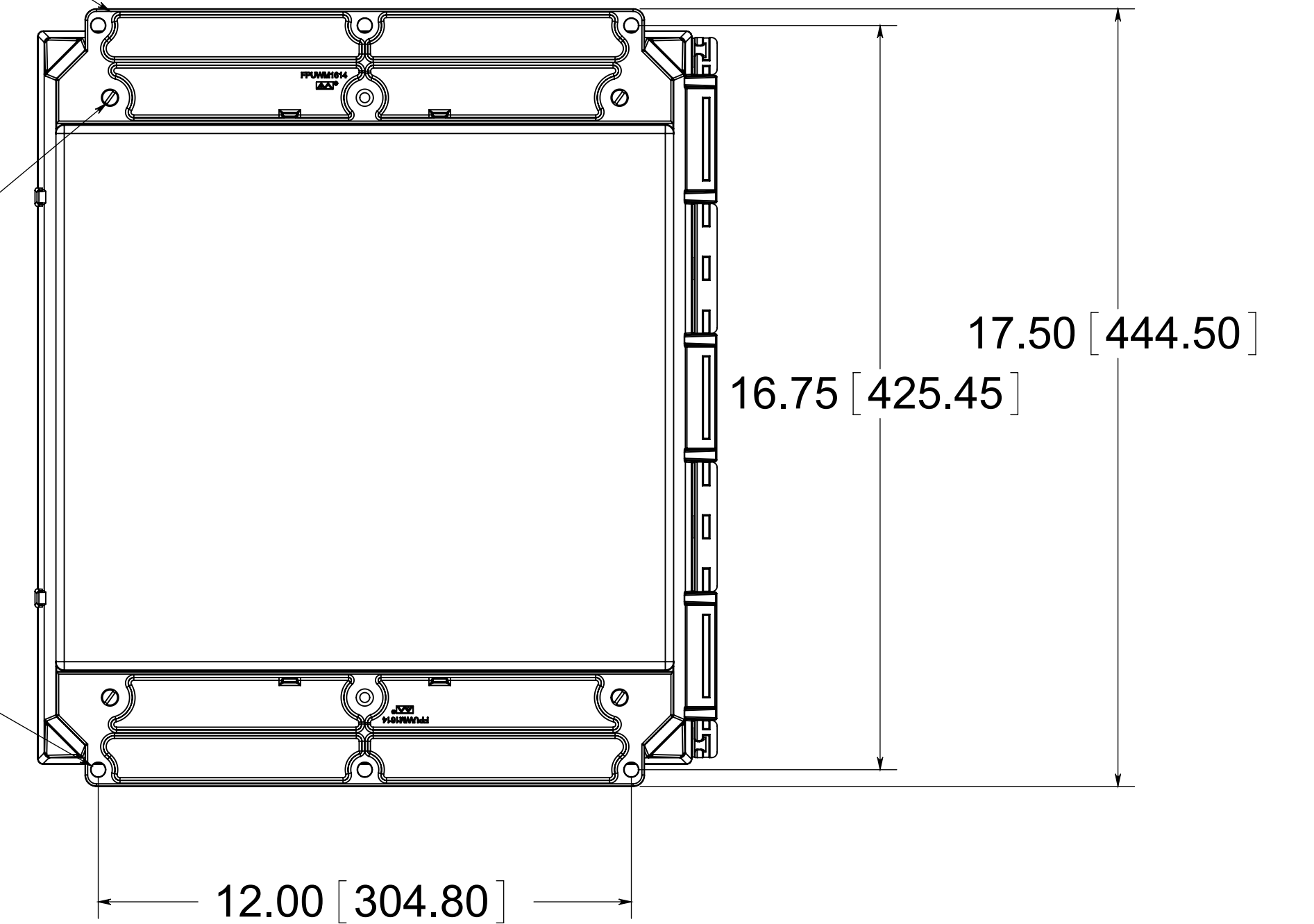


OPTIONAL BACK PANEL  
 0.100 [2.54] TH'K- ALUMINUM  
 0.075 [1.91] TH'K- WHITE STEEL & GALVANNEALED  
 0.125 [3.18] TH'K- FIBERGLASS

(2) POLYCARBONATE  
 FLANGES (GLUED)

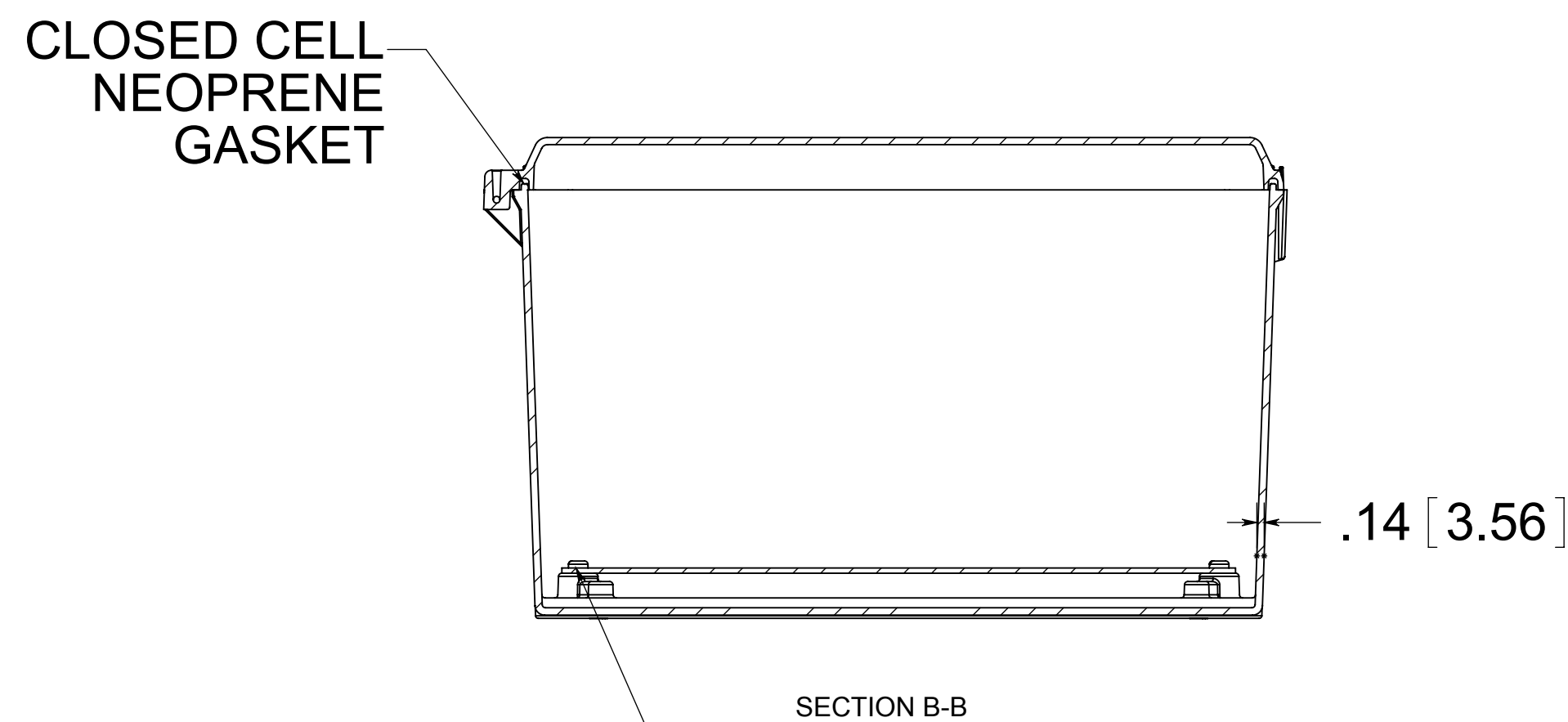
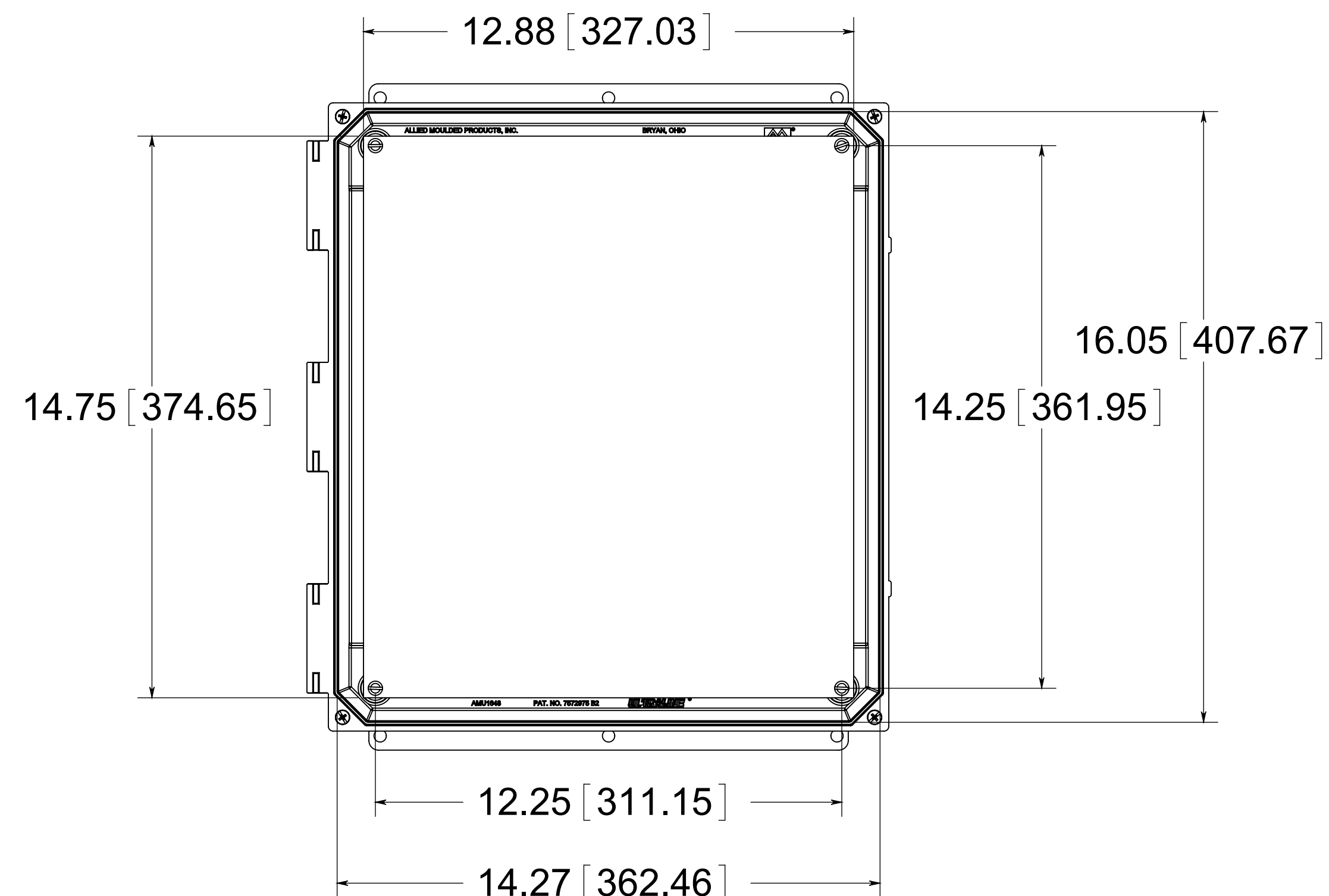
(4) EACH #10-32 BRASS  
 INSERTS, AND STAINLESS  
 STEEL FLANGE AND  
 FEET SCREWS

BACK VIEW



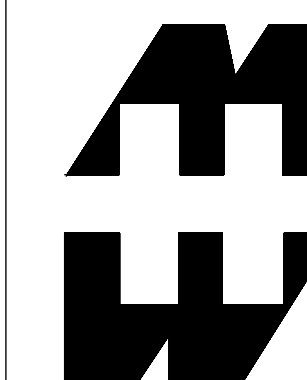
(4) EACH #10-32 BRASS INSERTS  
 AND STAINLESS STEEL  
 CAPTIVE COVER SCREWS  
 WITH RETAINING O-RING

FRONT VIEW  
 WITH COVER REMOVED  
 AND BACK PANEL DISPLAYED



(4) EACH #10-32 BRASS  
 INSERTS AND PLATED  
 CARBON STEEL SCREWS

MATERIAL:  
 BOX- COMPRESSION MOLDED FIBERGLASS REINFORCED POLYESTER  
 COVER- COMPRESSION MOLDED FIBERGLASS REINFORCED POLYESTER  
 CLEAR COVER AND WINDOWS- POLYCARBONATE



PART No. PJU16148F

for more information visit  
[www.hammfg.com](http://www.hammfg.com)

Data subject to change without notice

Drawing Not to Scale