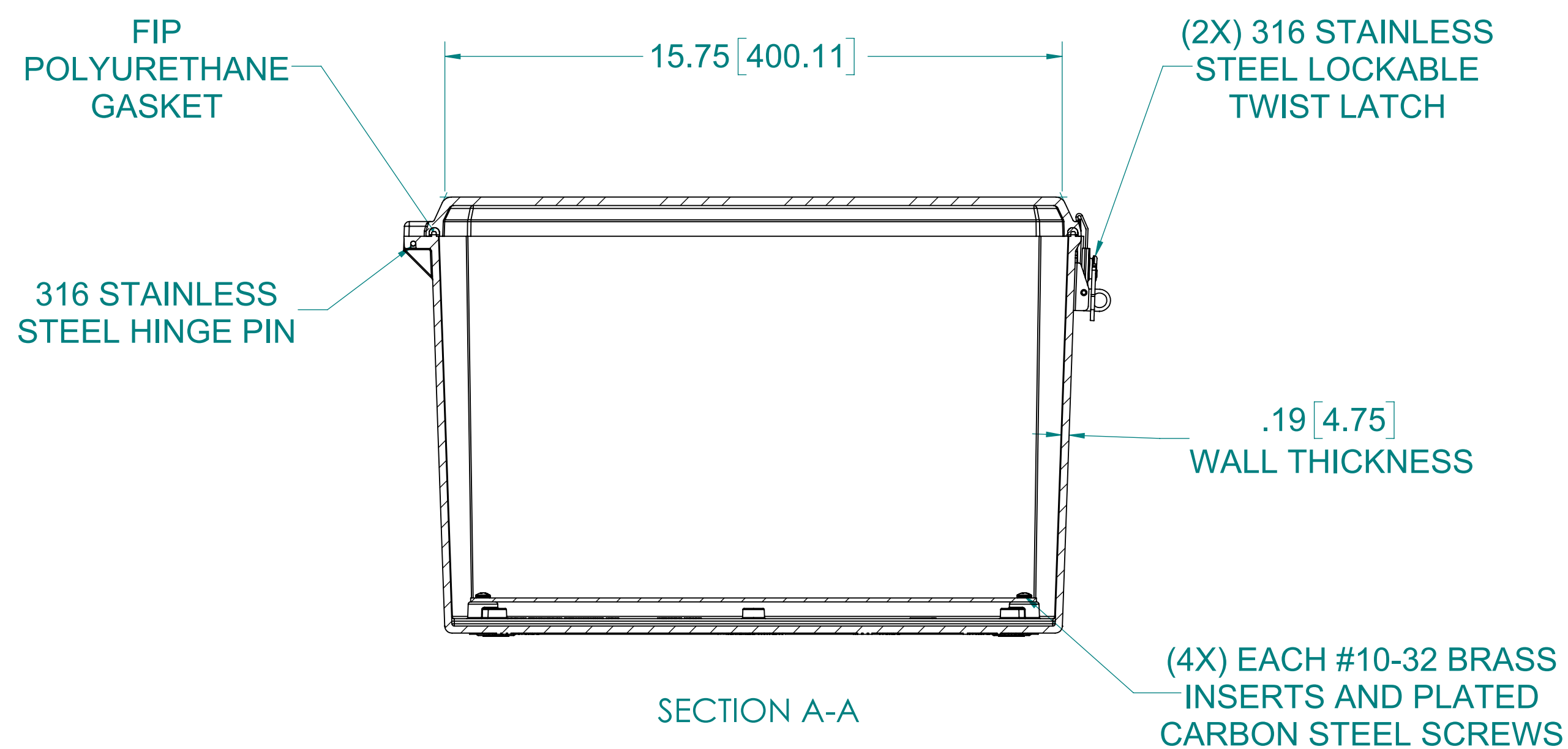


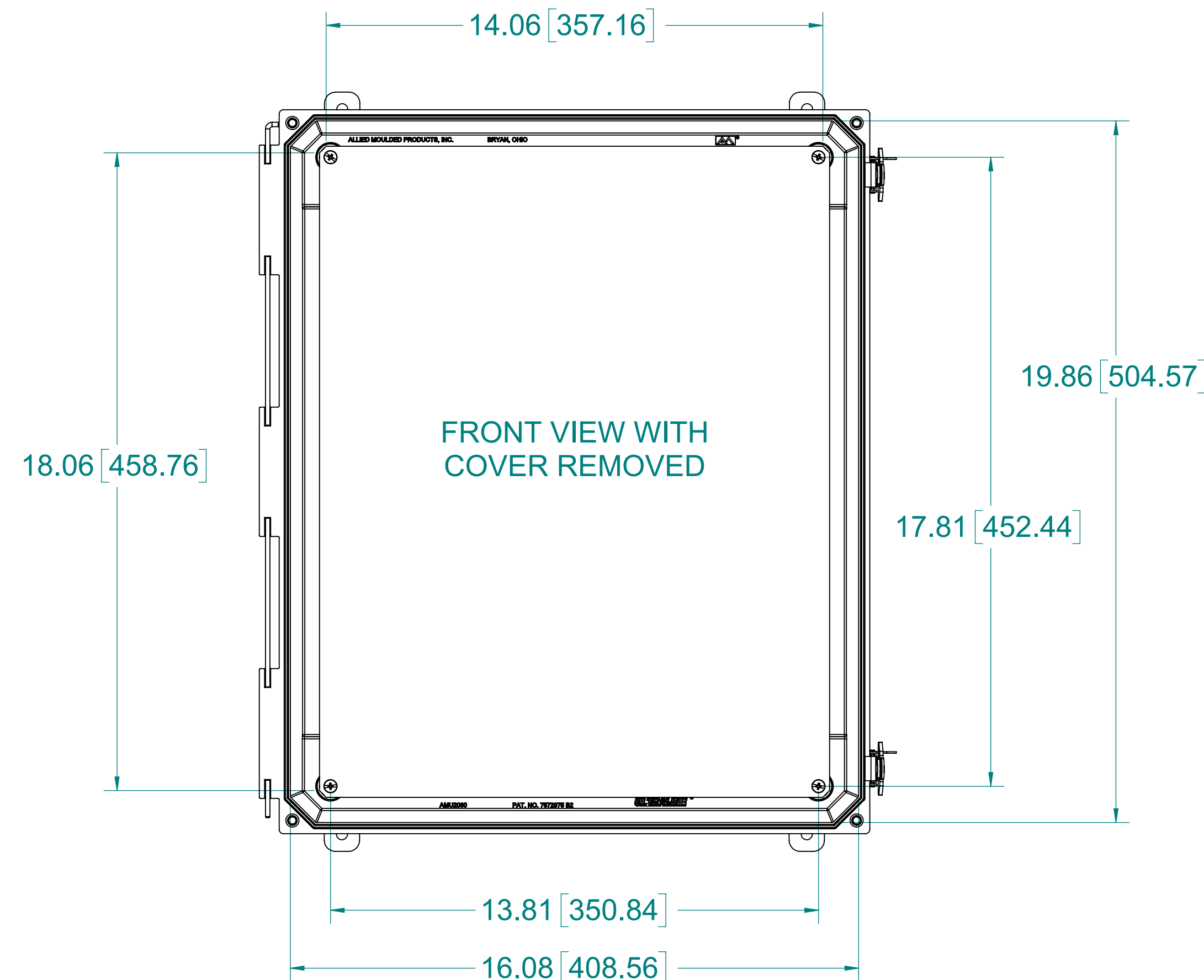
(4X) POLYCARBONATE FEET

(4X) EACH #10-32 BRASS INSERTS AND 316 STAINLESS STEEL FLANGE AND FEET SCREWS



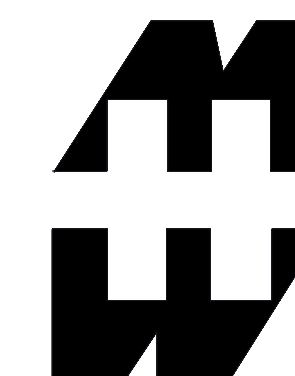
SECTION A-A

**MATERIAL:**  
 BOX: INJECTION MOLDED POLYCARBONATE  
 STANDARD COVER: INJECTION MOLDED POLYCARBONATE  
 CLEAR COVER: INJECTION MOLDED POLYCARBONATE



FRONT VIEW WITH COVER REMOVED

NOTE:  
 1. DATA SUBJECT TO CHANGE



**PART No.**  
**PJU201610CCT.WEB**  
 for more information visit  
**www.hammfg.com**  
 Data subject to change without notice  
 Drawing Not to Scale