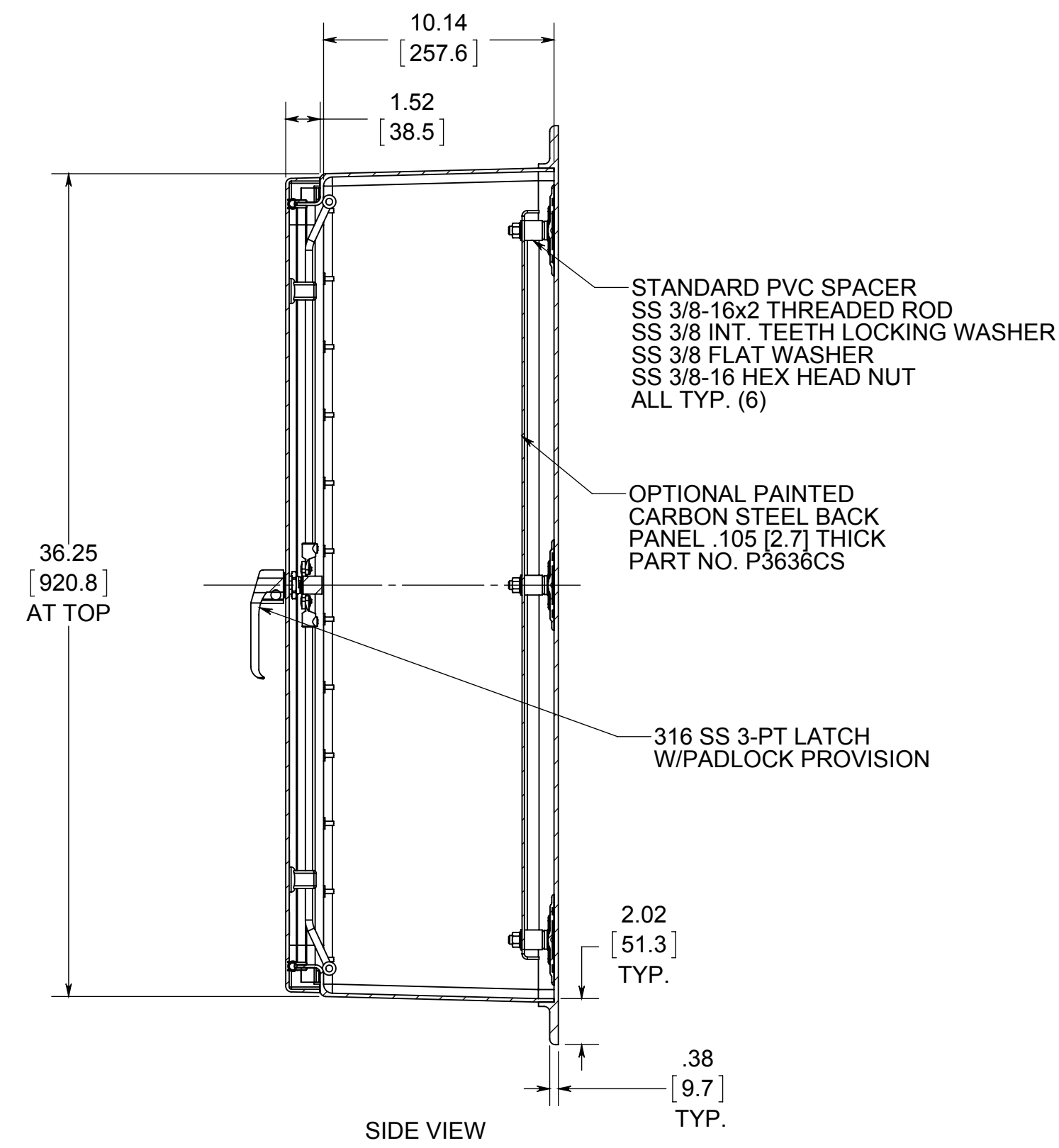
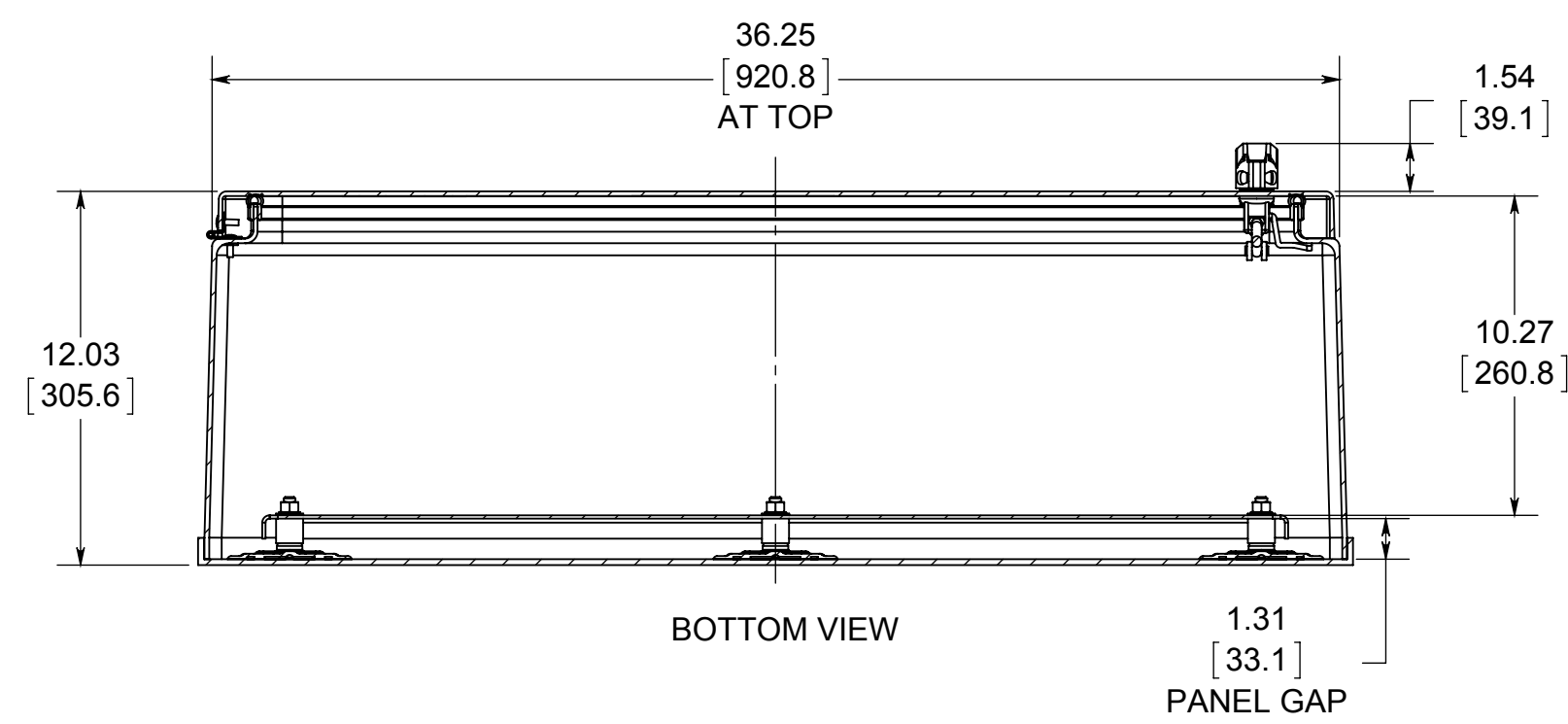


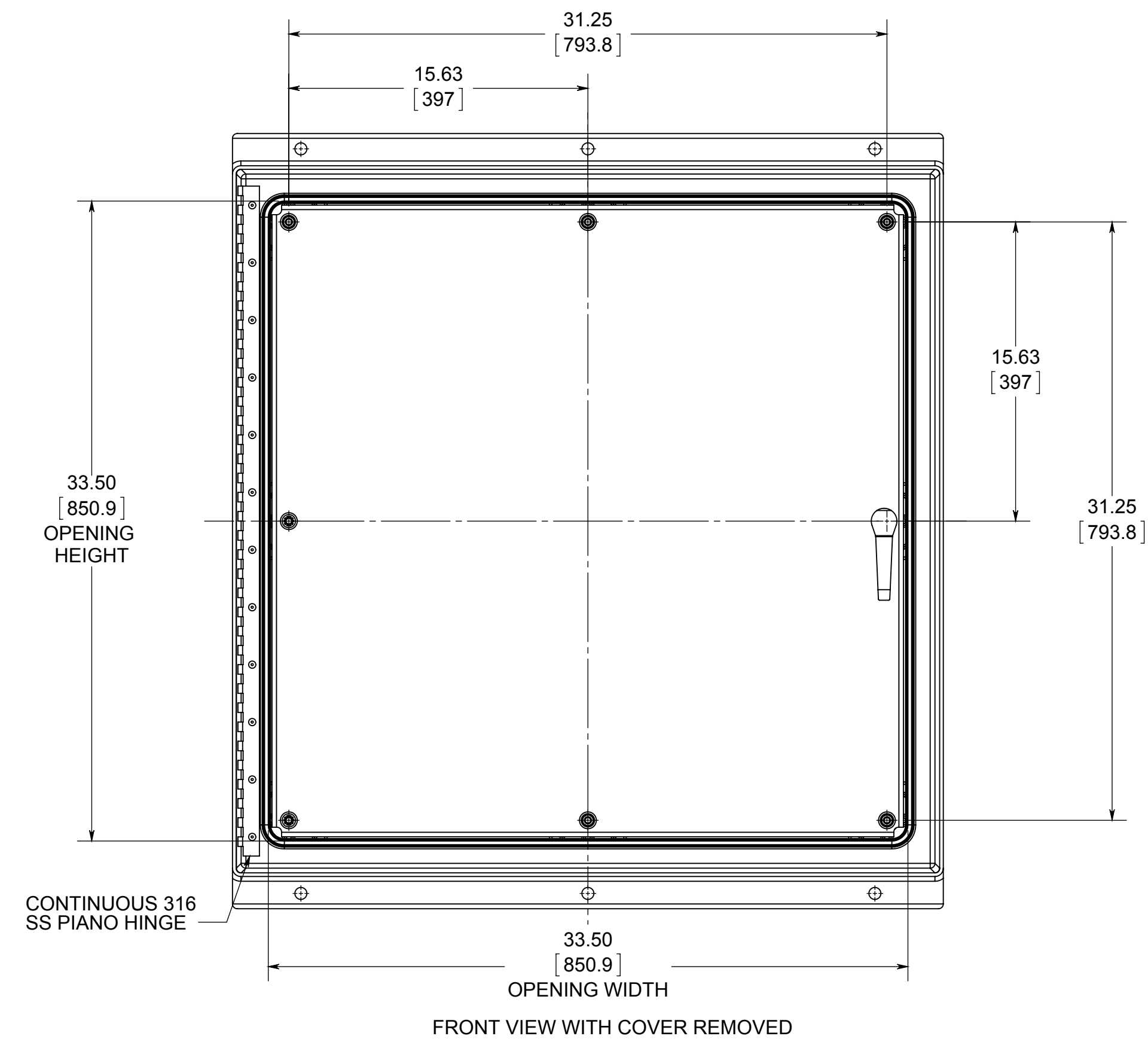
FRONT VIEW WITH COVER



SIDE VIEW



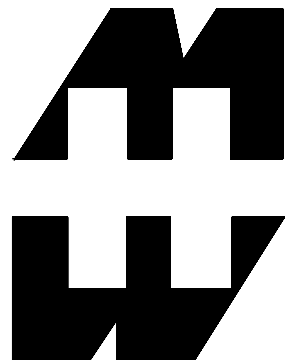
BOTTOM VIEW



FRONT VIEW WITH COVER REMOVED

NOM. .19 [4.8] WALL THICKNESS

MATERIAL:  
 BOX- GEL-COAT, FIBERGLASS, RESIN  
 COVER- GEL-COAT, FIBERGLASS, RESIN  
 EPDM GASKET SEAL



**PART No. PJW363610L3PT**  
 for more information visit  
[www.hammfg.com](http://www.hammfg.com)  
 Data subject to change without notice  
 Drawing Not to Scale