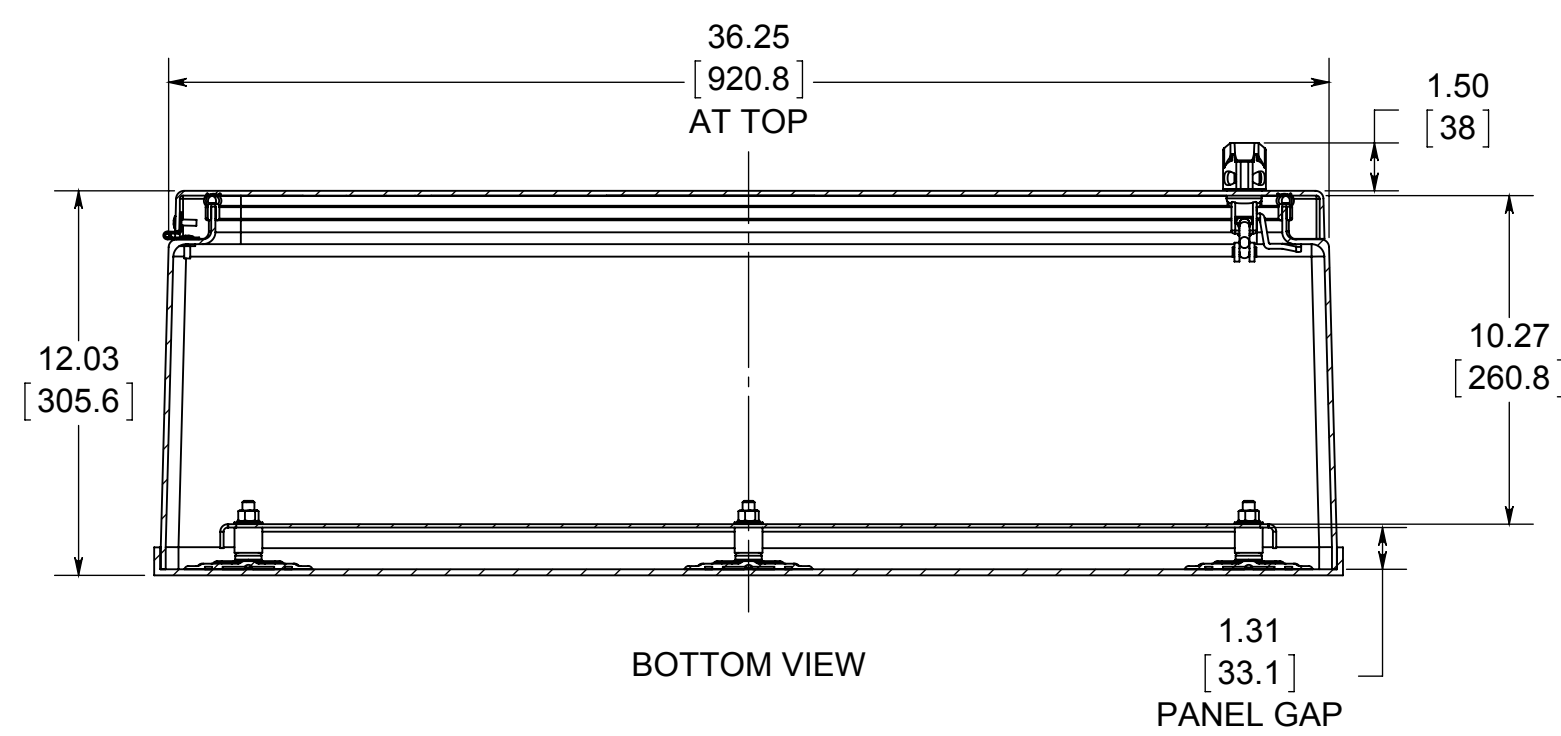


FRONT VIEW WITH COVER

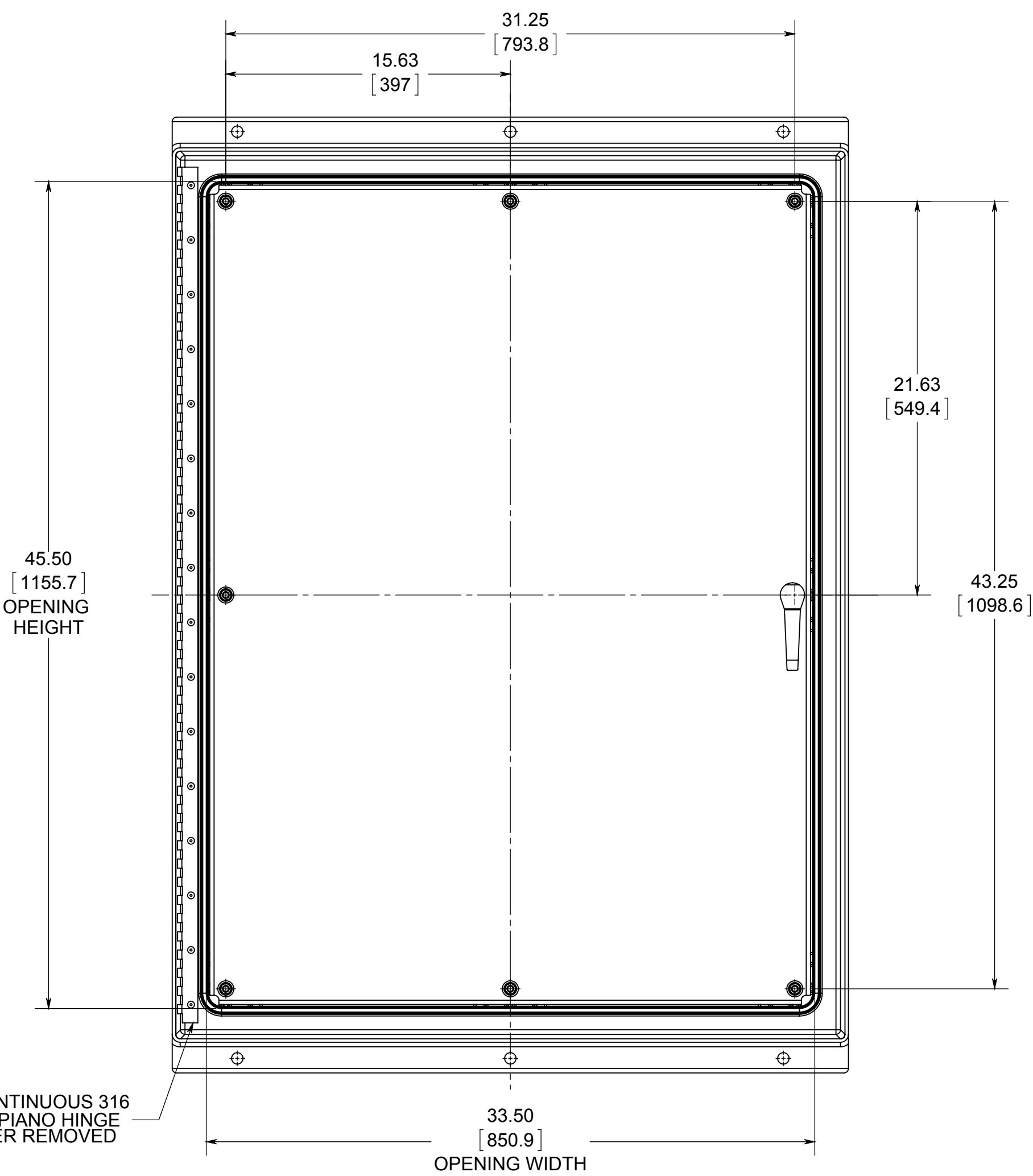


BOTTOM VIEW

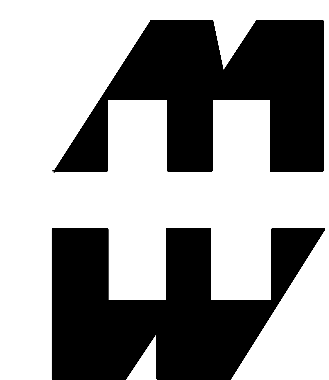
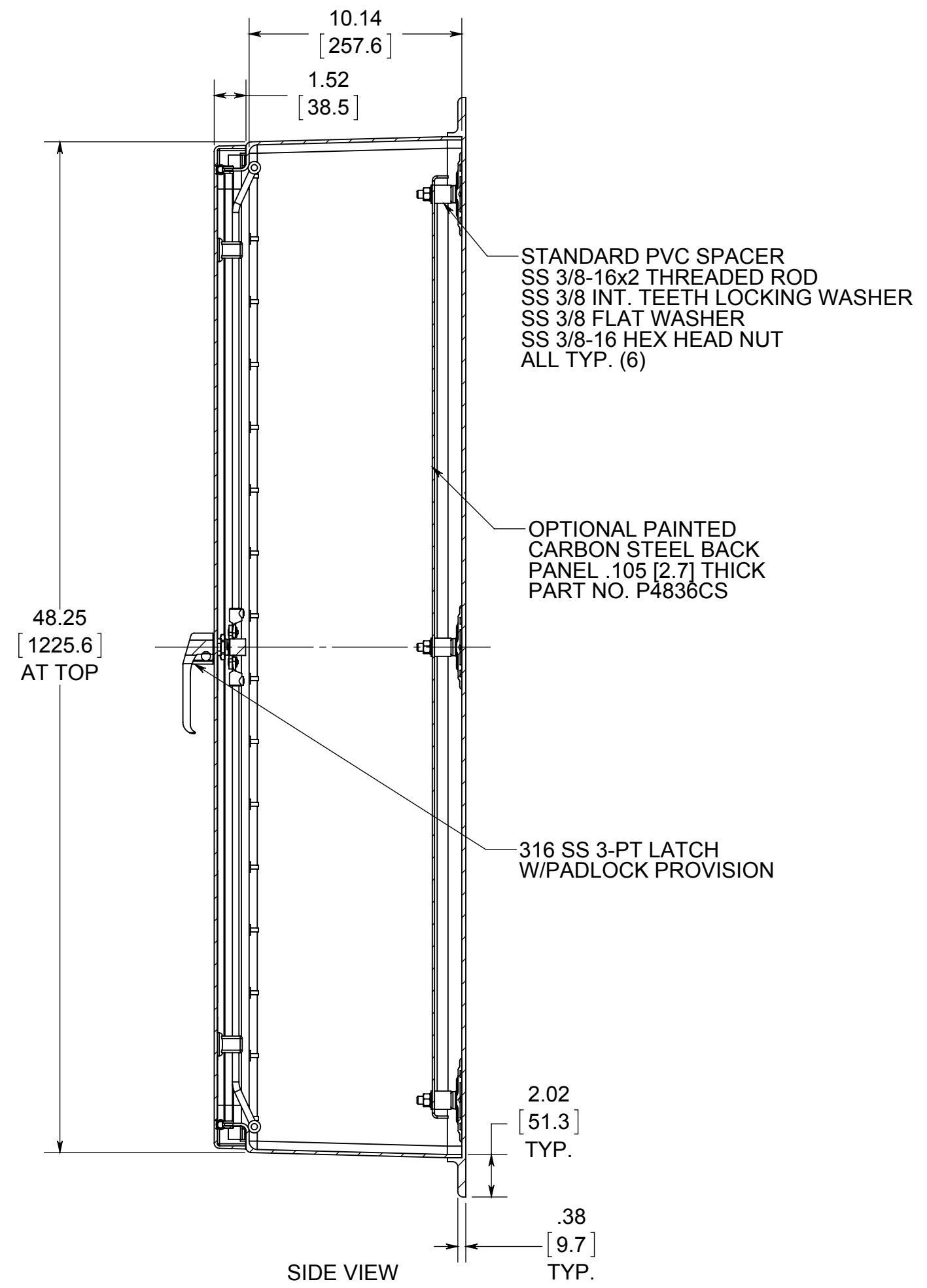
NOM. .19 [4.8] WALL THICKNESS

MATERIAL:

BOX- GEL-COAT, FIBERGLASS, RESIN  
COVER- GEL-COAT, FIBERGLASS, RESIN  
EPDM GASKET SEAL



FRONT VIEW WITH COVER REMOVED



PART No. PJW483610L3PT

for more information visit  
[www.hammfg.com](http://www.hammfg.com)  
Data subject to change without notice

Drawing Not to Scale