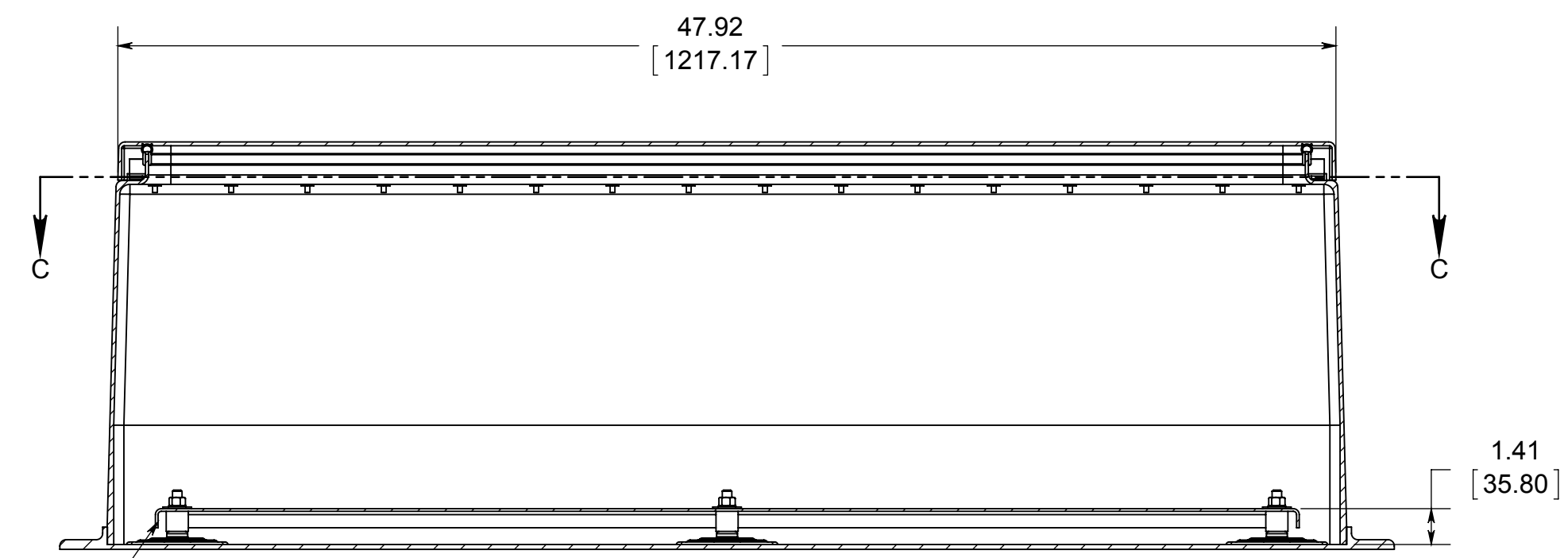
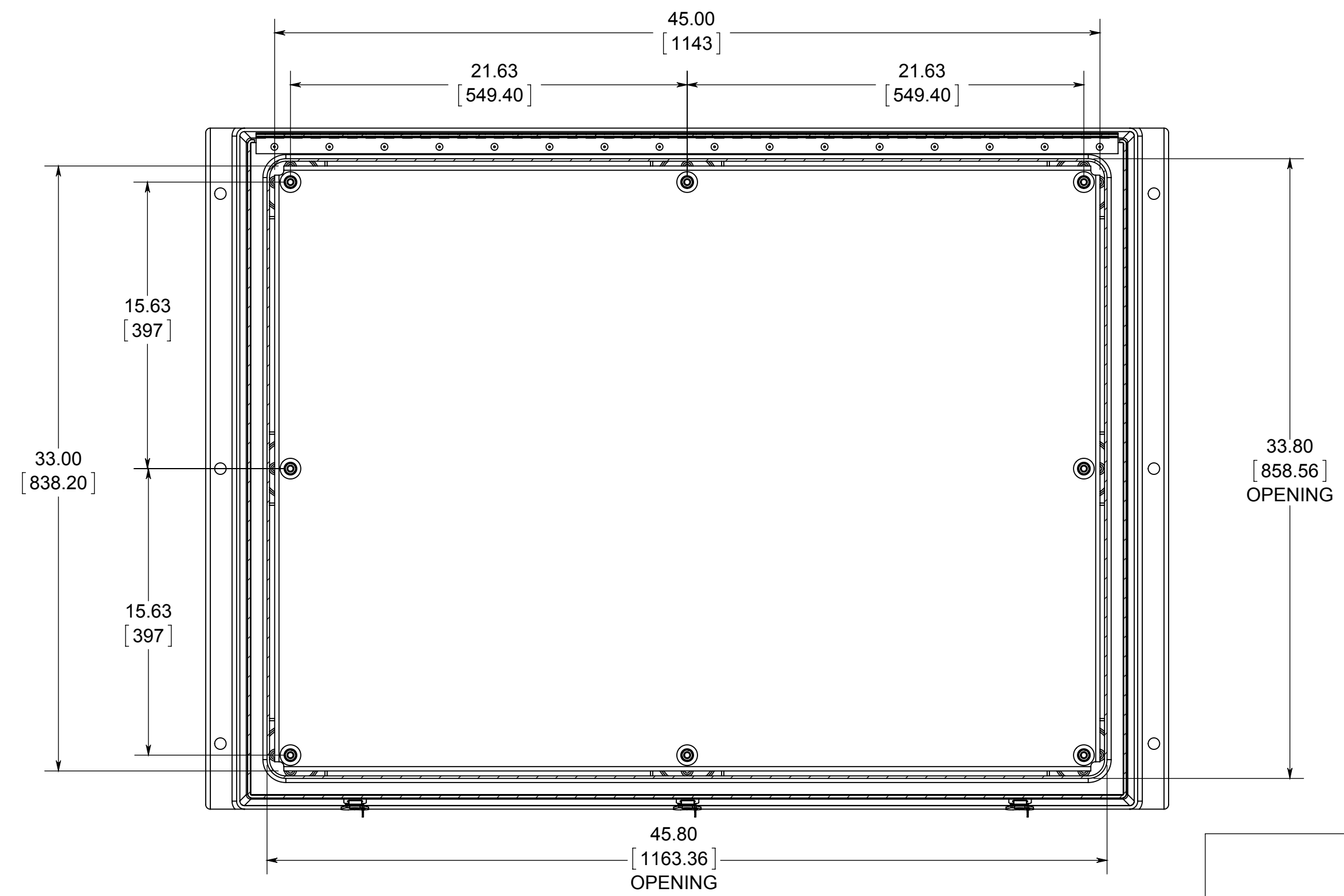
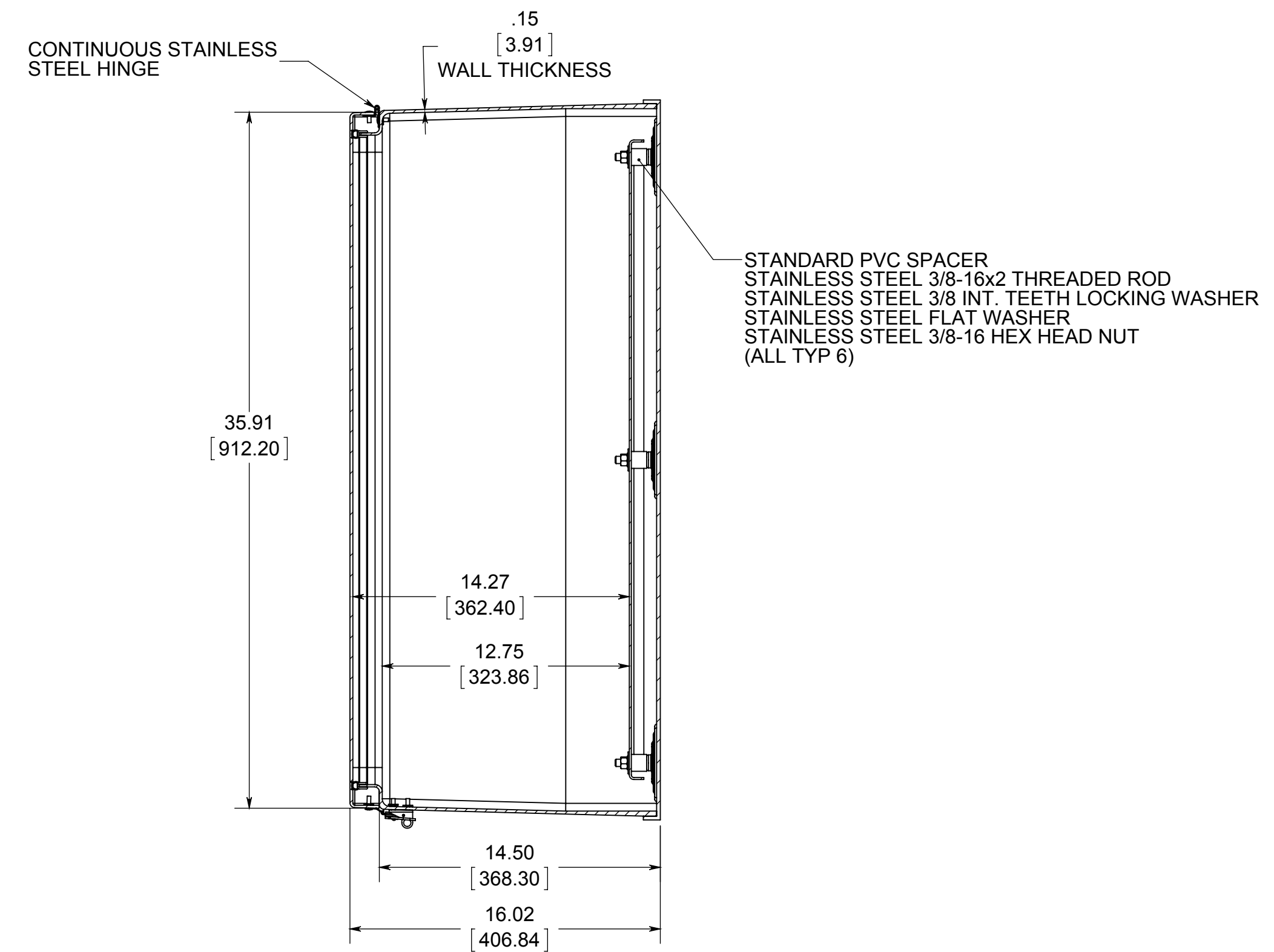


STAINLESS STEEL DRAW LATCH  
(PADLOCK PROVISIONED)  
AND KEEPER PLATE  
TYP 3

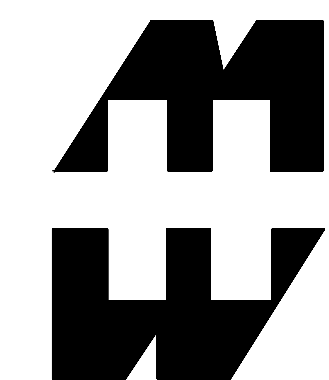


OPTIONAL PAINTED  
CARBON STEEL BACK  
PANEL .105 [2.67] THICK

MATERIAL:  
BOX- GEL-COAT, FIBERGLASS, RESIN  
COVER- GEL-COAT, FIBERGLASS, RESIN  
EDM GASKET SEAL



SECTION C-C  
TOP VIEW WITH LID AND GASKET REMOVED



PART No. PJW483614L

for more information visit  
[www.hammfg.com](http://www.hammfg.com)

Data subject to change without notice

Drawing Not to Scale