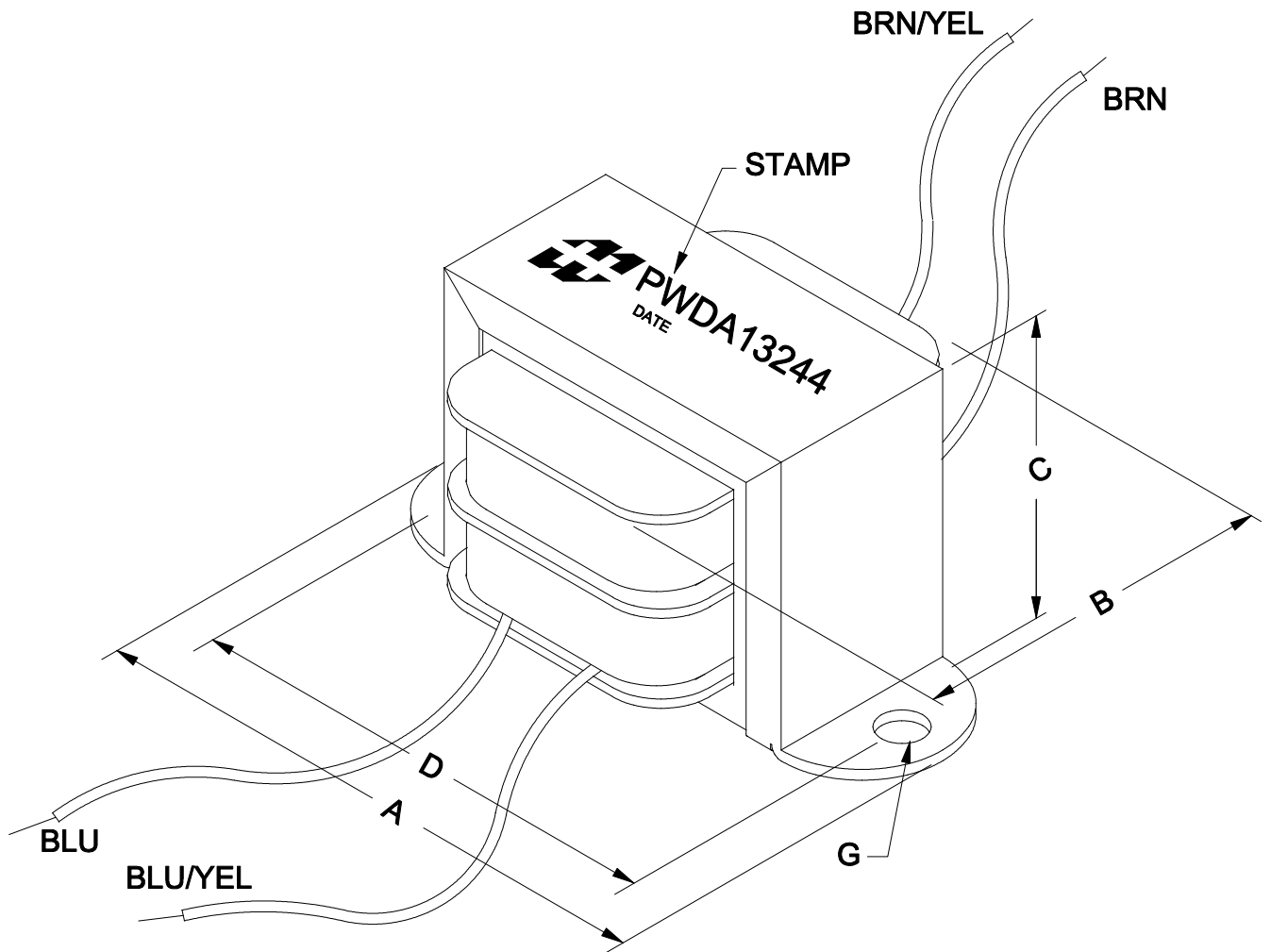
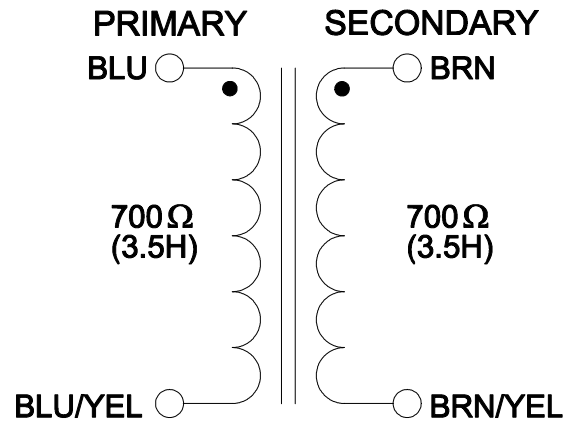


DIMENSIONS:	
A	1.625" ±0.063
B	0.875" ±0.125
C	0.800" ±0.063
D	1.375" ±0.063
G	0.125" ±0.015



NOTE: ALL LEADS 6" MIN.



ELECTRONIC DIVISION
52 RANKIN PLACE,
WATERLOO, ONTARIO, N2J 3Z5
PH # (519) 886-6181
FAX # (519) 886-9540

TITLE
COLLINS 30S-1 ALC TX.
T-102

NO	DATE	REVISION	DWG. BY
0	12/15/21	RELEASED. C.I.	C. ILIE
			DATE
			12/15/21
			DIM IN(X)MM()

PWDA13244