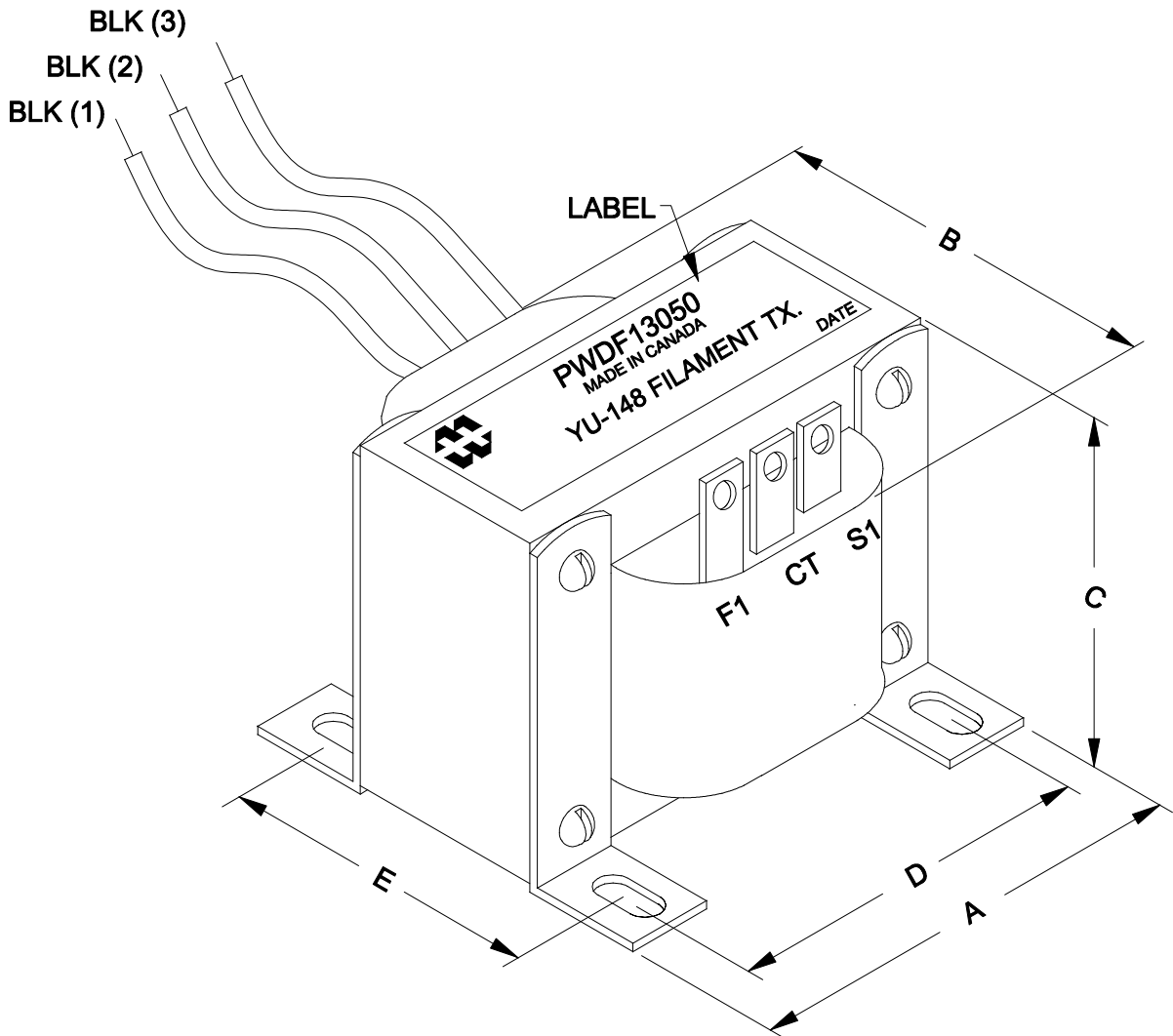
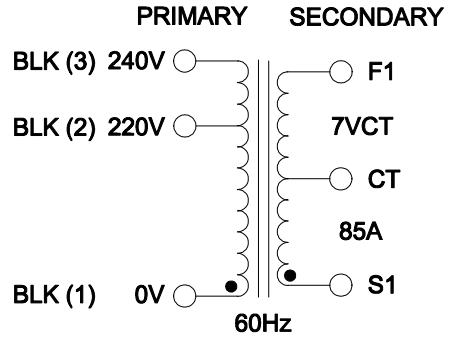


DIMENSIONS:	
A	5.750" ±0.063
B	6.150" ±0.125
C	4.250" ±0.063
D	4.938" ±0.063
E	4.125" ±0.063
F	5.250" ±0.063
G	0.281" X 0.562" ±0.015



NOTE: ALL LEADS 12" OUT MIN.



**ELECTRONIC DIVISION**  
52 RANKIN PLACE,  
WATERLOO, ONTARIO, N2J 3Z5  
PH # (519) 886-6181  
FAX # (519) 886-9540

TITLE

PWDF13050

NO	DATE	REVISION	DWG. BY
0	01/12/15	RELEASED.      C.I.	CORINA ILIE
			DATE
			01/12/15
			DIM IN( )MM( )

EDBPWDF-13050