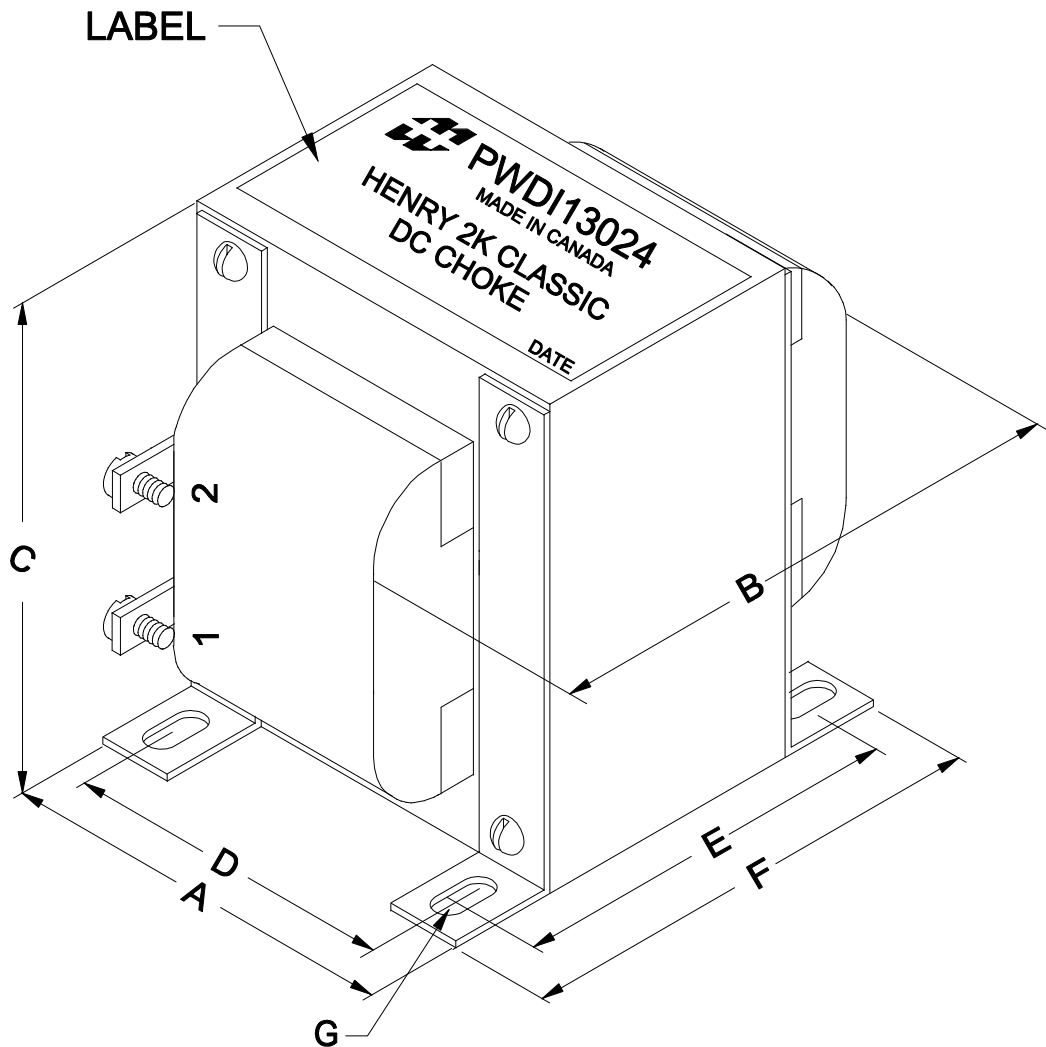
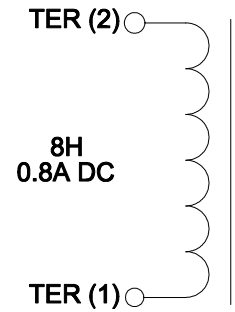


| DIMENSIONS: |                        |
|-------------|------------------------|
| A           | 4.250" ±0.063          |
| B           | 5.650" ±0.125          |
| C           | 5.750" ±0.063          |
| D           | 3.438" ±0.063          |
| E           | 3.625" ±0.063          |
| F           | 4.750" ±0.063          |
| G           | 0.281" X 0.562" ±0.015 |



**HAMMOND MANUFACTURING**  
**ELECTRONIC DIVISION**  
 52 RANKIN PLACE,  
 WATERLOO, ONTARIO, N2J 3Z5  
 PH # (519) 886-6181  
 FAX # (519) 886-9540

TITLE

**HENRY 2K CLASSIC  
 DC CHOKE**

| NO | DATE     | REVISION  | DWG. BY          |
|----|----------|-----------|------------------|
| 0  | 03/31/14 | RELEASED. | C.I. CORINA ILIE |
|    |          |           | DATE             |
|    |          |           | 03/31/14         |
|    |          |           | DIM IN( )MM( )   |

EDBPWDI13024