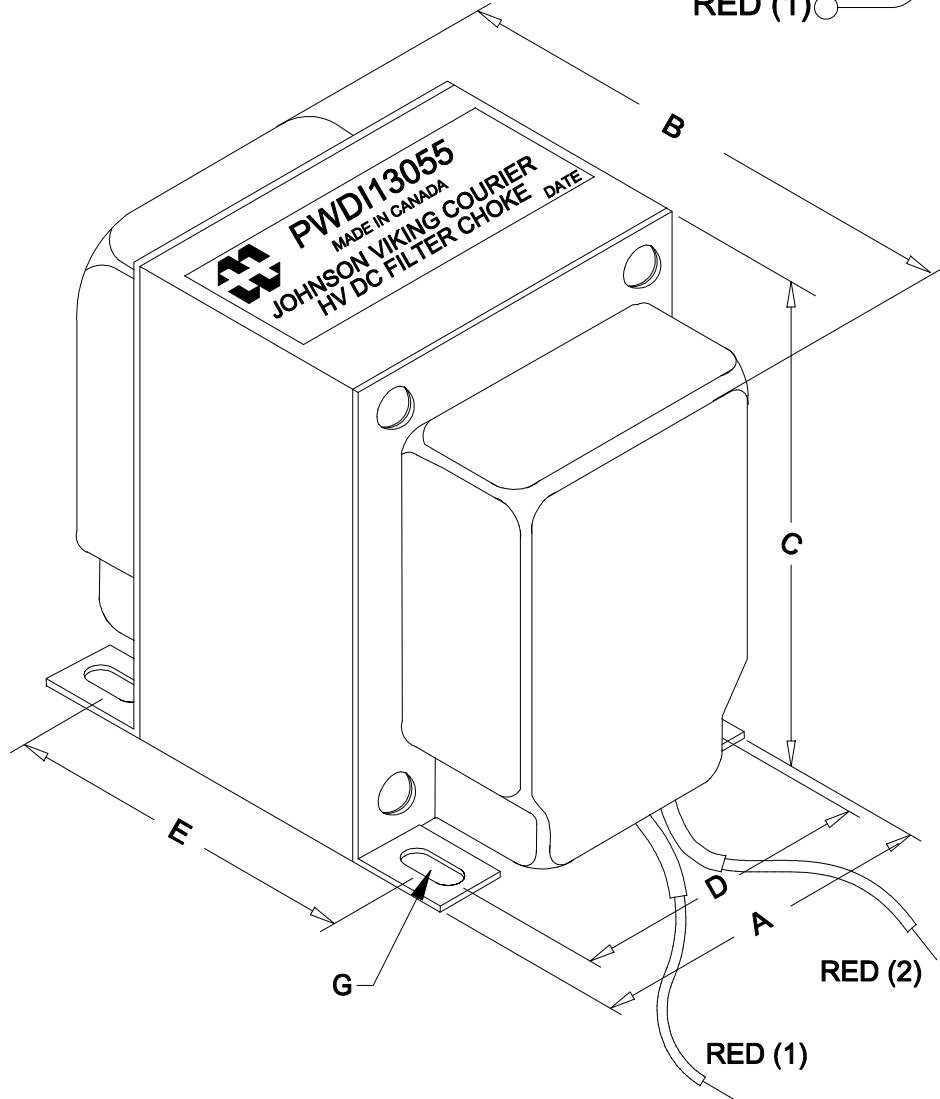
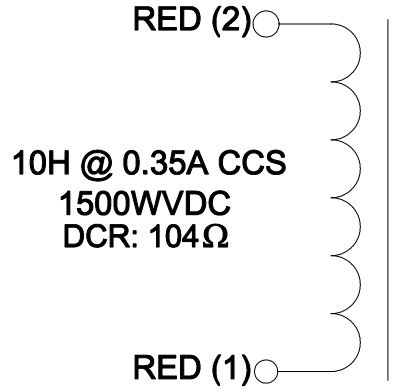


DIMENSIONS:	
A	3.438" ±0.063
B	4.435" ±0.125
C	4.125" ±0.063
D	2.750" ±0.063
E	3.313" ±0.063
G	0.203" X 0.375" ±0.015



NOTE: ALL LEADS ARE 14" MIN. LONG OUT.



**ELECTRONIC DIVISION**  
52 RANKIN PLACE,  
WATERLOO, ONTARIO, N2J 3Z5  
PH # (519) 886-6181  
FAX # (519) 886-9540

TITLE  
JOHNSON VIKING COURIER  
HV DC FILTER CHOKE

NO	DATE	REVISION	DWG. BY
0	09/08/15	RELEASED. C.I.	CORINA ILIE
			DATE
			09/08/15
			DIM IN( )MM( )

PWD13055