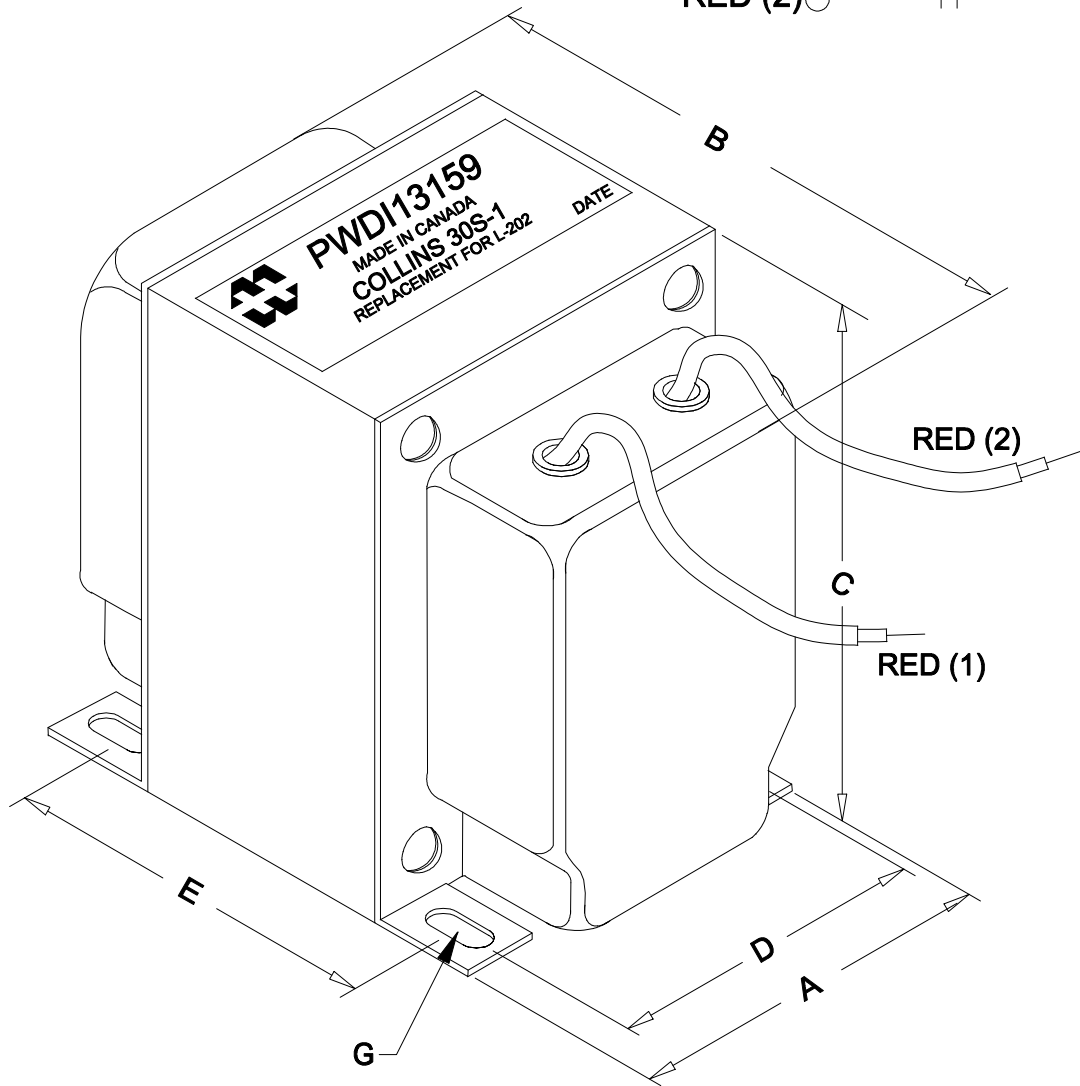
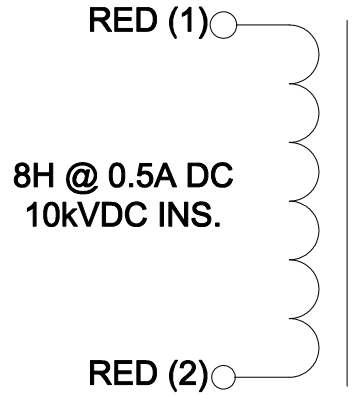


DIMENSIONS:	
A	4.375" ±0.063
B	6.096" ±0.125
C	5.300" ±0.063
D	3.500" ±0.063
E	4.500" ±0.063
G	0.281" X 0.625" ±0.015



NOTE: ALL LEADS ARE 12" MIN. LONG OUT.



ELECTRONIC DIVISION
52 RANKIN PLACE,
WATERLOO, ONTARIO, N2J 3Z5
PH # (519) 886-6181
FAX # (519) 886-9540

TITLE

COLLINS 30S-1
(REPLACEMENT FOR L-202)

NO	DATE	REVISION	DWG. BY
0	03/20/23	RELEASED.	C.I.
			DATE
			03/20/23
			DIM IN(X)MM()

PWDI13159