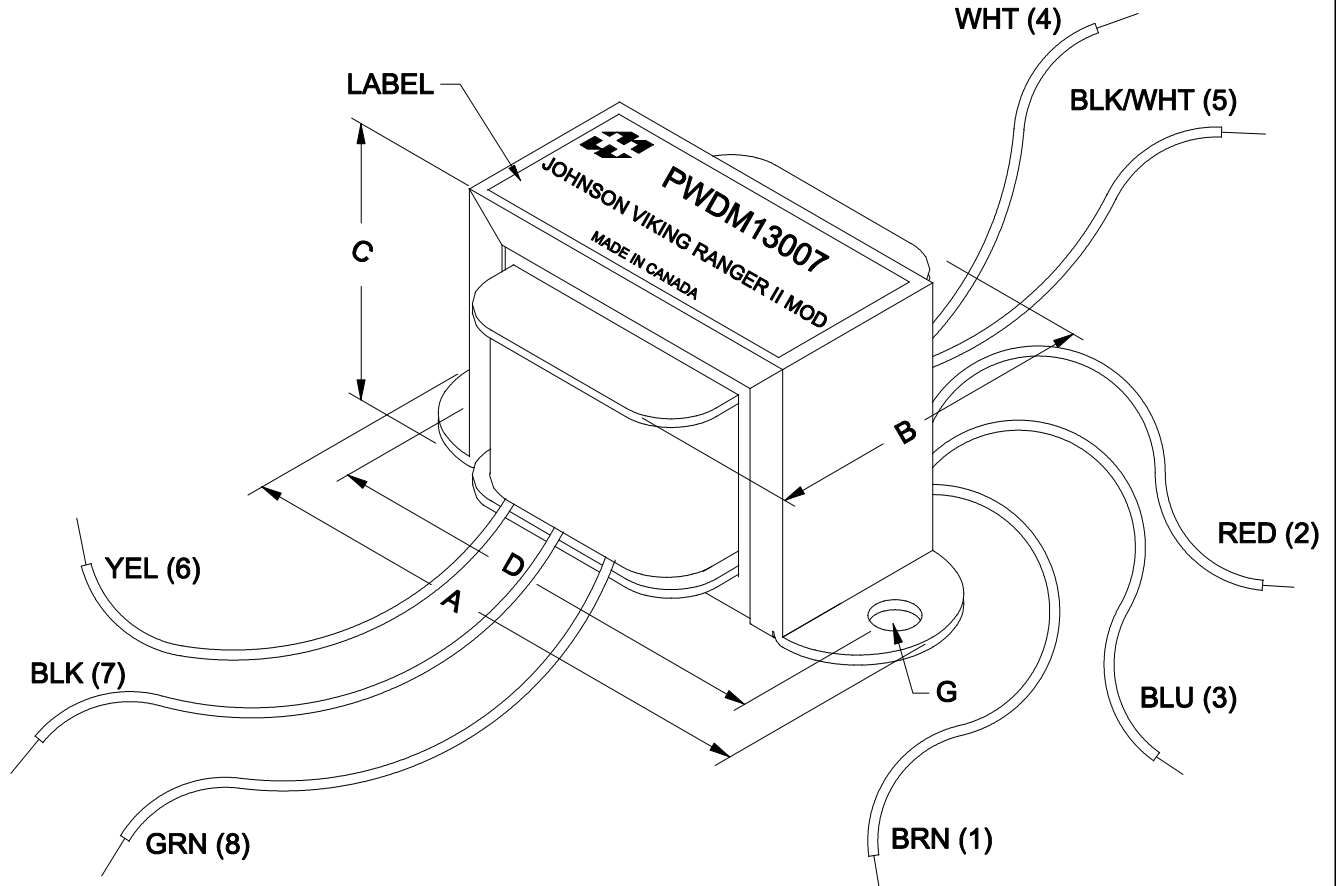
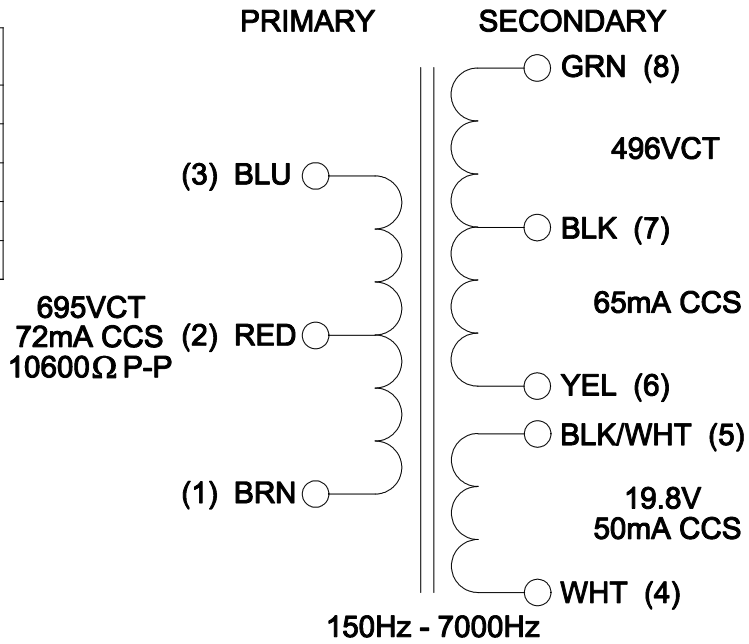


DIMENSIONS:	
A	3.688" ±0.063
B	1.964" ±0.125
C	2.268" ±0.063
D	3.125" ±0.063
G	0.187" ±0.015



NOTE: ALL LEADS 12.0" OUT MIN.



ELECTRONIC DIVISION
 52 RANKIN PLACE,
 WATERLOO, ONTARIO, N2J 3Z5
 PH # (519) 886-6181
 FAX # (519) 886-9540

TITLE
 JOHNSON VIKING RANGER II MOD. (P2429)
 MODULATION TRANSFORMER

NO	DATE	REVISION	DWG. BY
0	09/24/15	RELEASED.	C.I. CORINA ILIE
			DATE
			09/24/15
			DIM IN()MM()

EDBPWDM13007