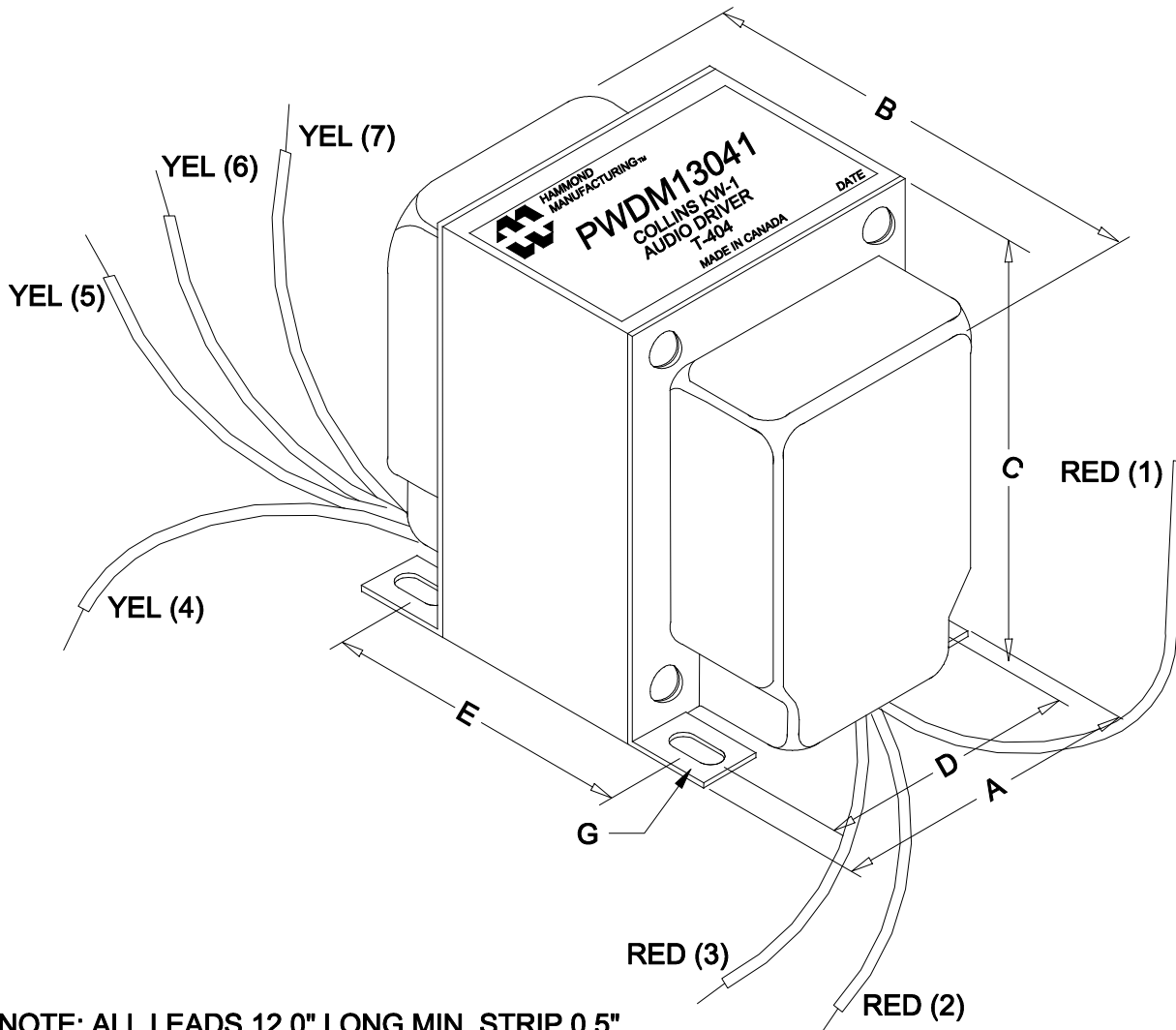
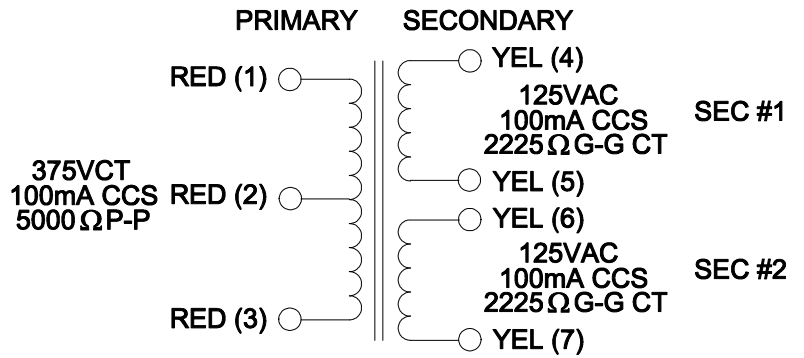


DIMENSIONS:	
A	2.500" ±0.063
B	2.685" ±0.063
C	3.060" ±0.063
D	2.000" ±0.063
E	1.688" ±0.063
G	0.203" X 0.375" ±0.015



NOTE: ALL LEADS 12.0" LONG MIN. STRIP 0.5".



ELECTRONIC DIVISION
52 RANKIN PLACE,
WATERLOO, ONTARIO, N2J 3Z5
PH # (519) 886-6181
FAX # (519) 886-9540

TITLE				PWDM13041		EDBPWDM13041
NO	DATE	REVISION	DWG. BY			
0	11/04/14	RELEASED.	CORINA ILIE			
			DATE			
			11/04/14			
					DIM IN()MM()	