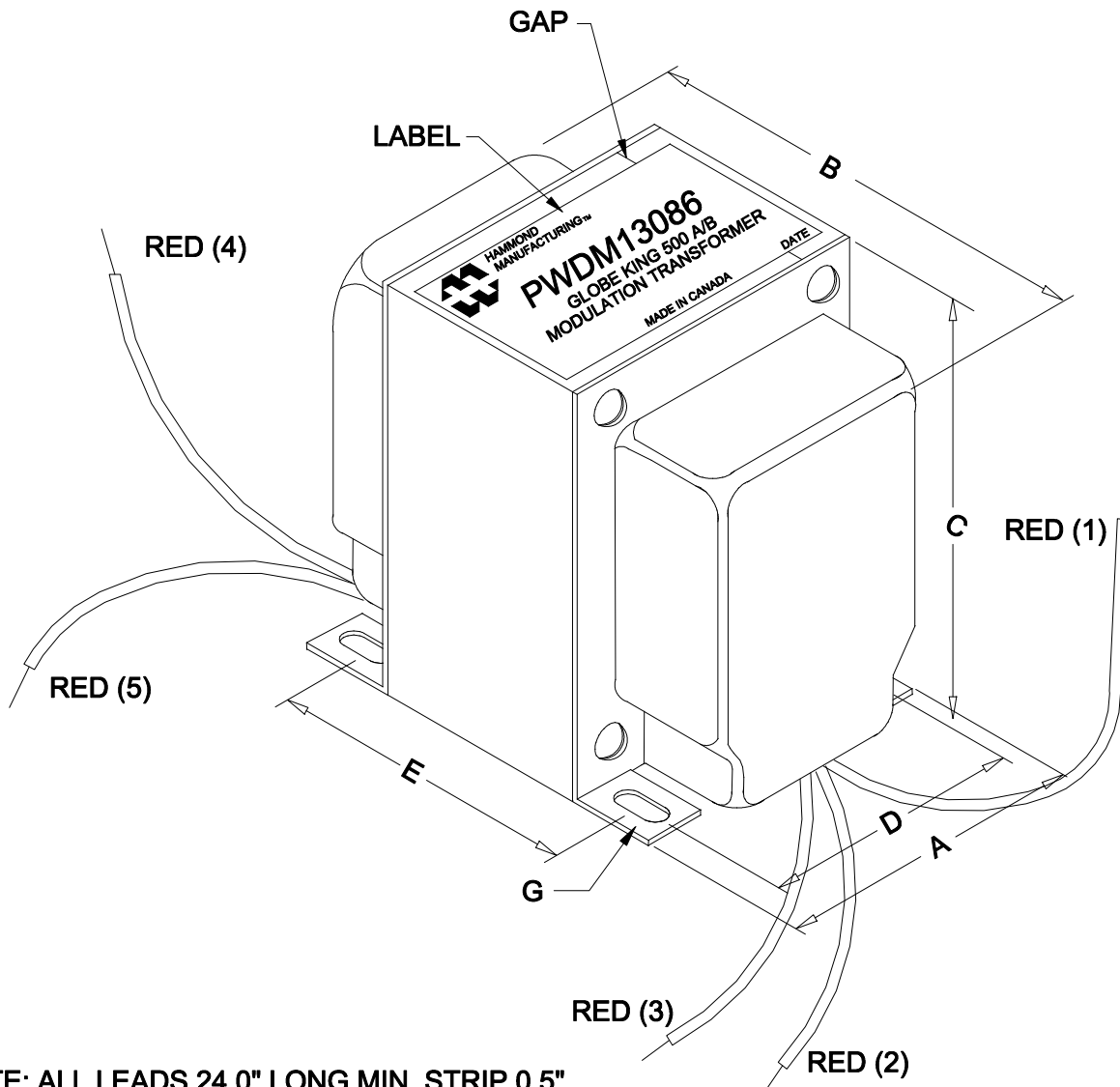
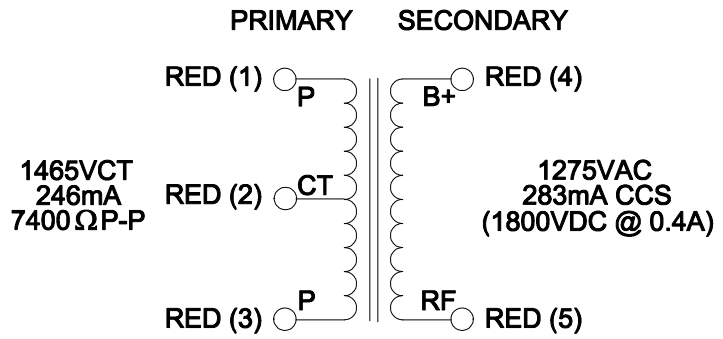


| DIMENSIONS: |                        |
|-------------|------------------------|
| A           | 3.750" ±0.063          |
| B           | 5.935" ±0.063          |
| C           | 4.530" ±0.063          |
| D           | 3.000" ±0.063          |
| E           | 4.813" ±0.063          |
| G           | 0.203" X 0.375" ±0.015 |



NOTE: ALL LEADS 24.0" LONG MIN. STRIP 0.5".



**ELECTRONIC DIVISION**  
52 RANKIN PLACE,  
WATERLOO, ONTARIO, N2J 3Z5  
PH # (519) 886-6181  
FAX # (519) 886-9540

TITLE  
**GLOBE KING 500A/B  
MODULATION TRANSFORMER**

| NO | DATE     | REVISION  | DWG. BY          |
|----|----------|-----------|------------------|
| 0  | 03/08/16 | RELEASED. | C.I. CORINA ILIE |
|    |          |           | DATE             |
|    |          |           | 03/08/16         |
|    |          |           | DIM IN( )MM( )   |

PWDM13086