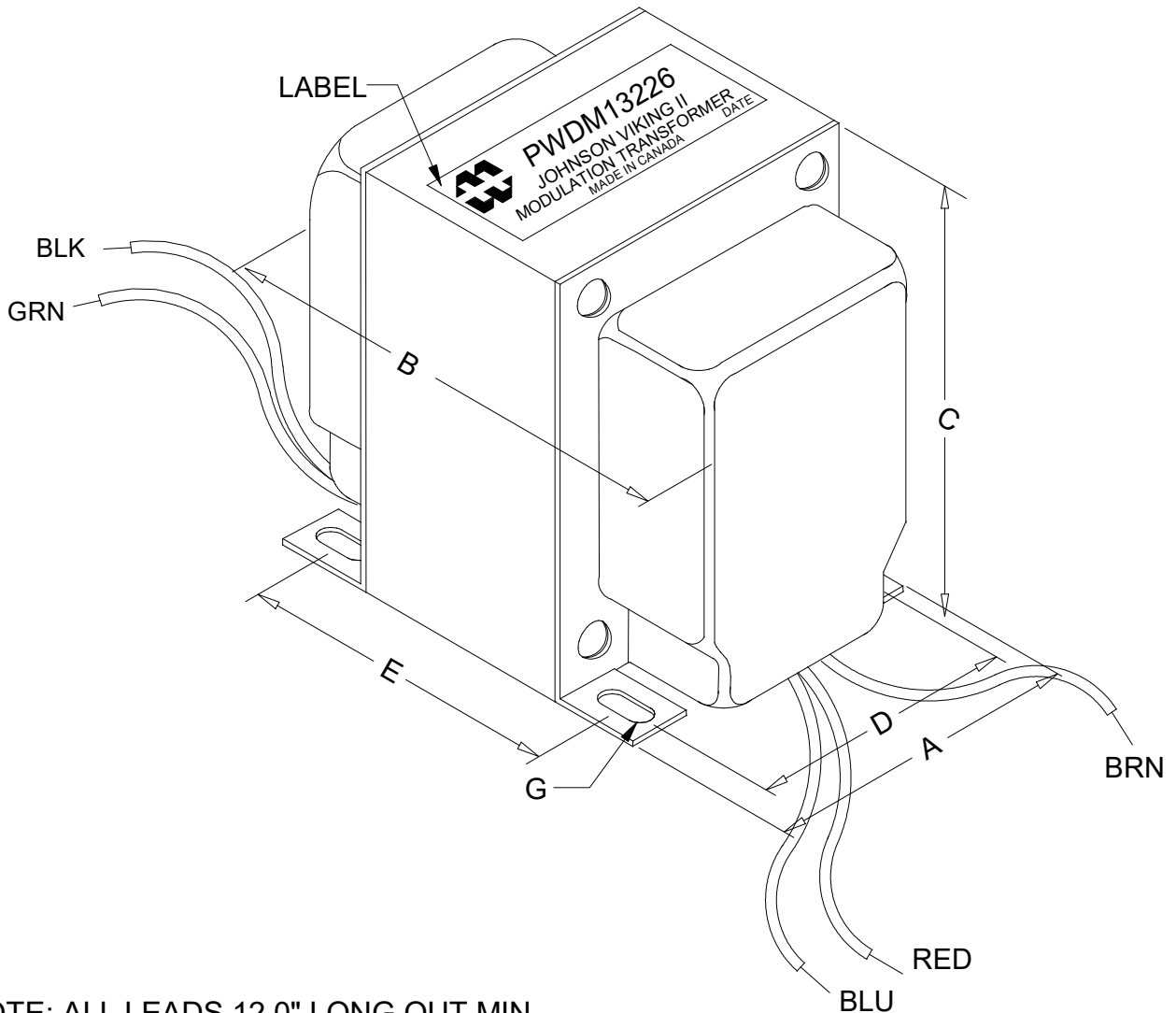
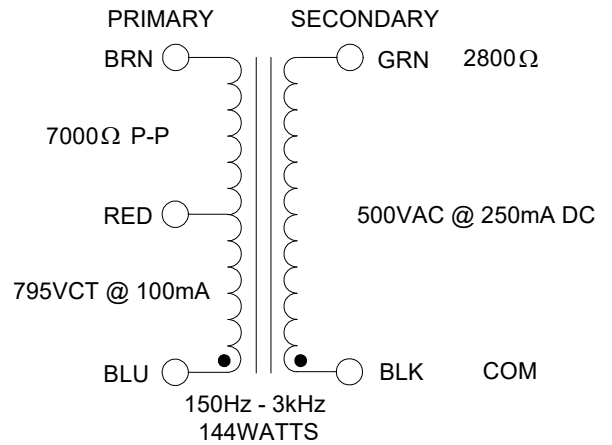


DIMENSIONS:	
A	2.813" ±0.063
B	3.813" ±0.125
C	3.421" ±0.063
D	2.250" ±0.063
E	2.625" ±0.063
G	0.203" X 0.375" ±0.015



NOTE: ALL LEADS 12.0" LONG OUT MIN.



**ELECTRONIC DIVISION**  
52 RANKIN PLACE,  
WATERLOO, ONTARIO, N2J 3Z5  
PH # (519) 886-6181  
FAX # (519) 886-9540

TITLE  
JOHNSON VIKING II  
T4, SNC P/N P1992 PP807'S TO PAR 6146  
MODULATION TRANSFORMER

NO	DATE	REVISION	DWG. BY
0	06/11/24	RELEASED.	C.I.
			C. ILIE
			DATE
			06/11/24
			DIM IN(X)MM( )

PWDM13226