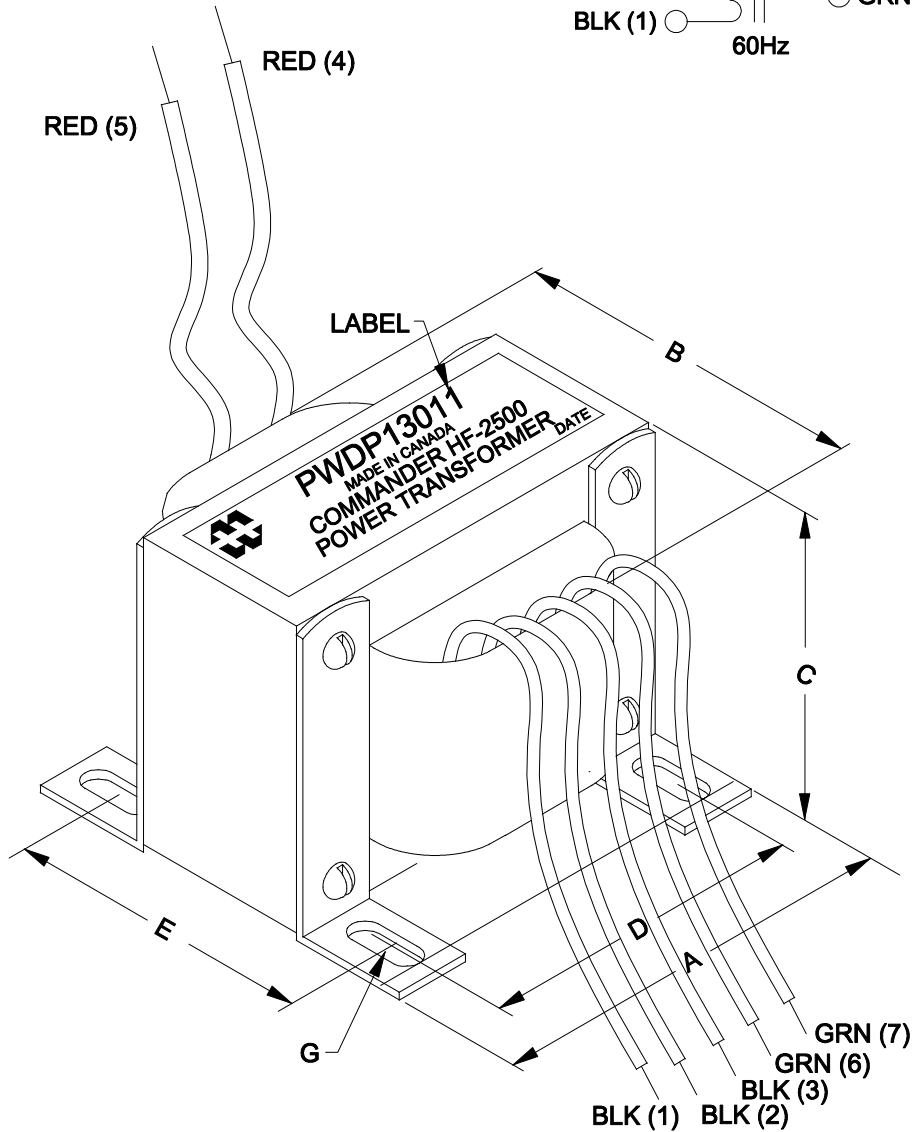
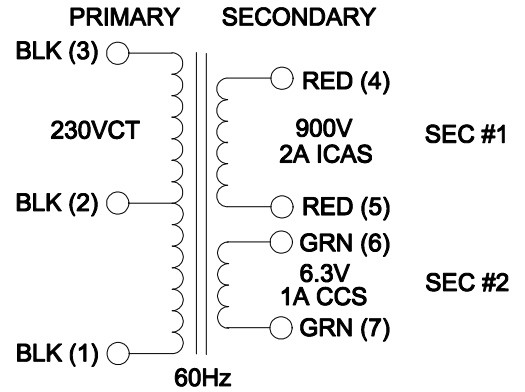


DIMENSIONS:	
A	7.500" ±0.063
B	7.250" ±0.125
C	6.250" ±0.063
D	6.750" ±0.063
E	5.125" ±0.063
F	6.250" ±0.063
G	0.281" X 0.563" ±0.015



NOTE: ALL LEADS 12" OUT MIN.



**ELECTRONIC DIVISION**  
52 RANKIN PLACE,  
WATERLOO, ONTARIO, N2J 3Z5  
PH # (519) 886-6181  
FAX # (519) 886-9540

TITLE  
**COMMANDER HF-2500  
POWER TRANSFORMER**

NO	DATE	REVISION	DWG. BY
0	04/03/14	RELEASED.      C.I.	CORINA ILIE
			DATE
			04/03/14
			DIM IN( )MM( )

EDBPWDP13011