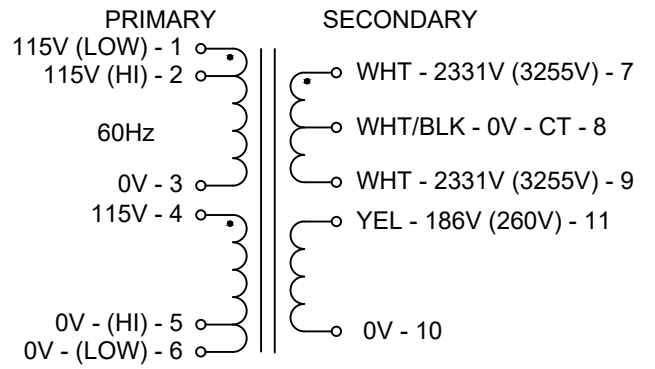


Peter W. Dahl Co.  
CUSTOM TRANSFORMERS

**COLLINS 30S-1**  
PWDP13017

DATE CODE      MADE IN CANADA

[www.pwdahl.com](http://www.pwdahl.com)



PROPERTY AND COPYRIGHT NOTICE  
THIS DRAWING AND THE INFORMATION IT CONVEYS ARE THE PROPERTY OF HAMMOND MANUFACTURING. IT MAY NOT BE REPRODUCED, TRANSMITTED OR USED IN ANY MANNER WHATSOEVER WITHOUT THE WRITTEN PERMISSION OF HAMMOND MANUFACTURING.

REV	NOTES	BY	DATE	REV	NOTES	BY	DATE
1	ADDED BACK VIEW TO SHOW WHITE LEADS	CB	01/09/19				
2	HV WHT LEAD LENGTH WAS 14".	C.I.	03/09/20				

**HAMMOND MANUFACTURING**  
ELECTRONIC DIVISION  
52 RANKIN PLACE,  
WATERLOO, ONTARIO, N2J 3Z5  
PHONE: 519.886.6181      FAX: 519.886.9540

PLATE TRANSFORMER		
DRAWN C. BACIK	DATE 10/15/15	NUMBER PWDP13017
APPROVED	DATE	