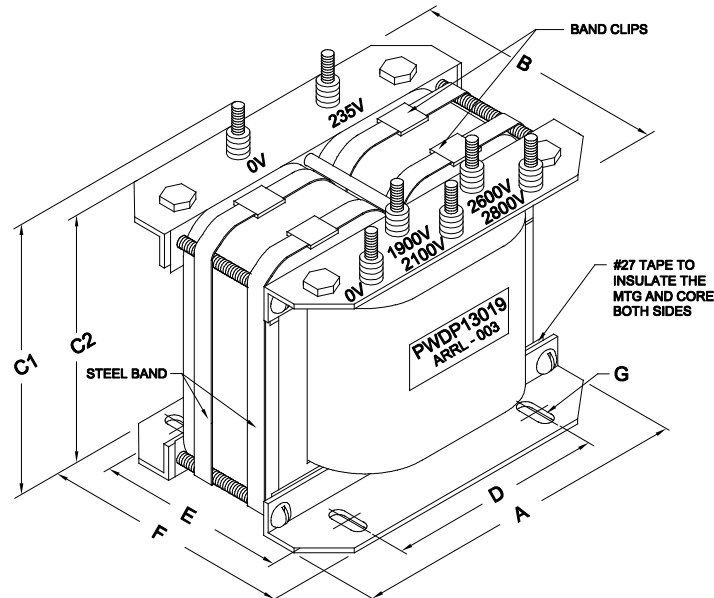
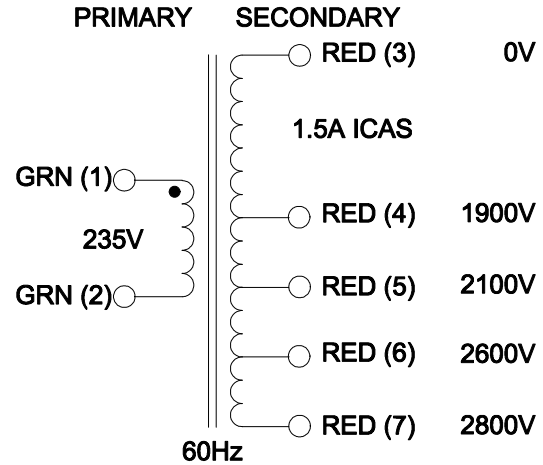


DIMENSIONS:	
A	8.000" ±0.063
B	7.813" +/- 0.250
C1/C2	8.625"/7.125" ±0.125
D	5.500" ±0.125
E	3.937" ±0.063
F	4.813" ±0.063
G	0.281" X 0.563" ±0.015



\* KEEP MOUNTING SURFACE CLEAN



**ELECTRONIC DIVISION**  
 52 RANKIN PLACE,  
 WATERLOO, ONTARIO, N2J 3Z5  
 PH # (519) 886-6181  
 FAX # (519) 886-9540

TITLE  
**POWER TRANSFORMER**

NO	DATE	REVISION	DWG. BY
0	08/01/18	RELEASED. C.I.	CORINA ILIE
			DATE 08/01/18
			DIM IN(Ø)MM( )

PWDP13019