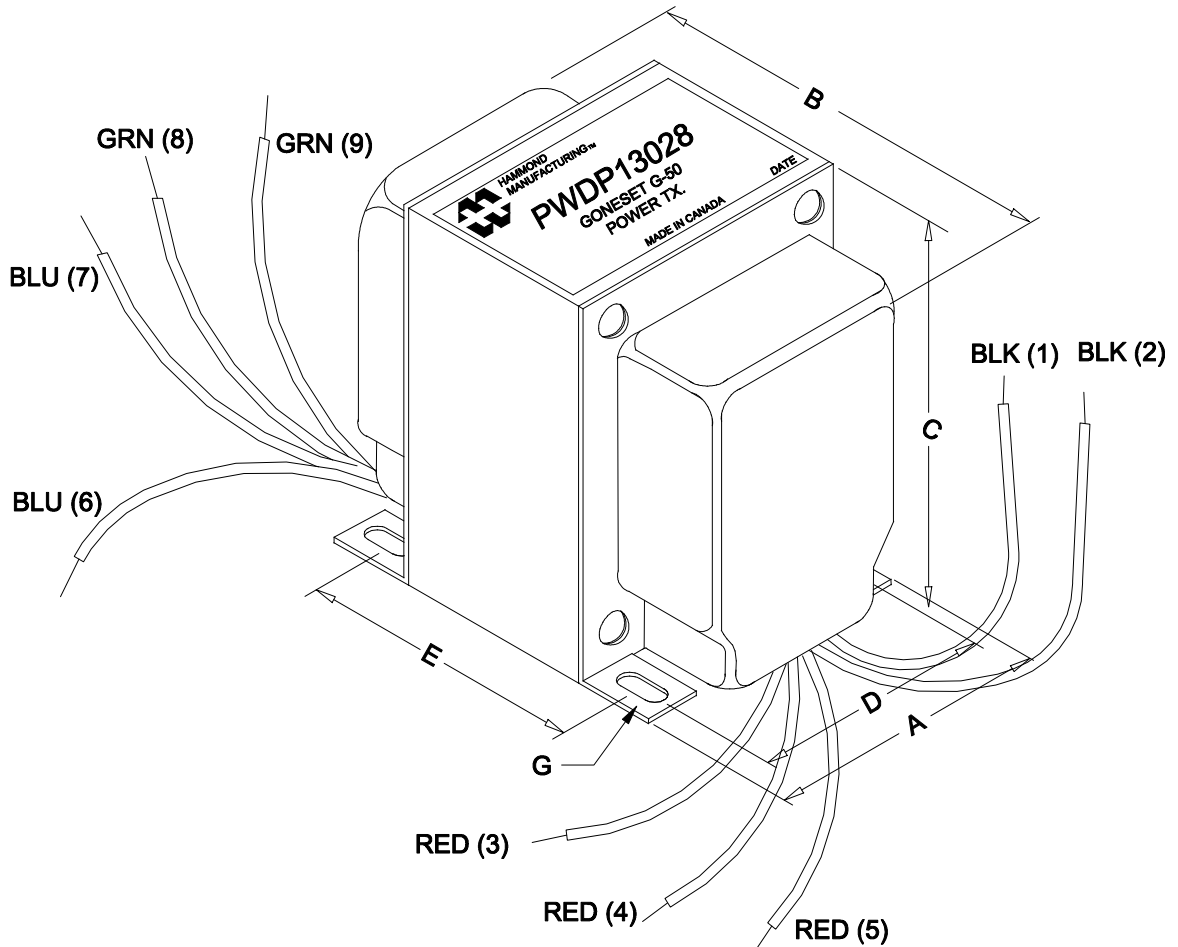
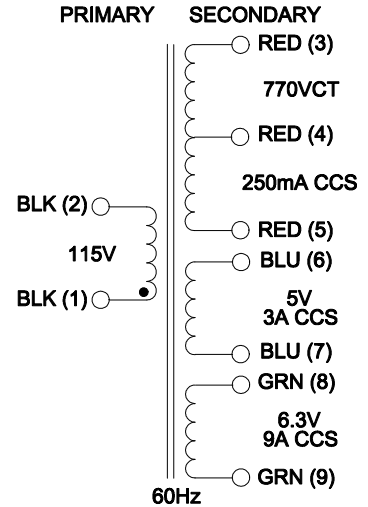


DIMENSIONS:	
A	3.438" ±0.063
B	4.436" ±0.125
C	4.171" ±0.063
D	2.750" ±0.063
E	3.313" ±0.063
G	0.203" X 0.375" ±0.015



NOTE: ALL LEADS 12.0" LONG MIN. STRIP 0.5".



ELECTRONIC DIVISION
 52 RANKIN PLACE,
 WATERLOO, ONTARIO, N2J 3Z5
 PH # (519) 886-6181
 FAX # (519) 886-9540

TITLE
PWDP13028

NO	DATE	REVISION	DWG. BY
0	04/29/14	RELEASED. C.I.	CORINA ILIE
1	05/01/14	SEC #3 RATED FOR 6.3V 9A CCS. C.I.	DATE
			04/29/14
			DIM IN(Ø)MM()

EDBPWDP13028